

AIR VENT

# Single & Double Air Release Valve

MODEL VTKV-16 REF EFC-174 ISSUED 05 Jun 2026

## SPECIFICATIONS

Size	DN50–DN250
Pressure	PN16–PN25
End connection	flanged (EN 1092-2) / flanged (EN 1092-2)

## STANDARDS

Test	EN 12266
------	----------



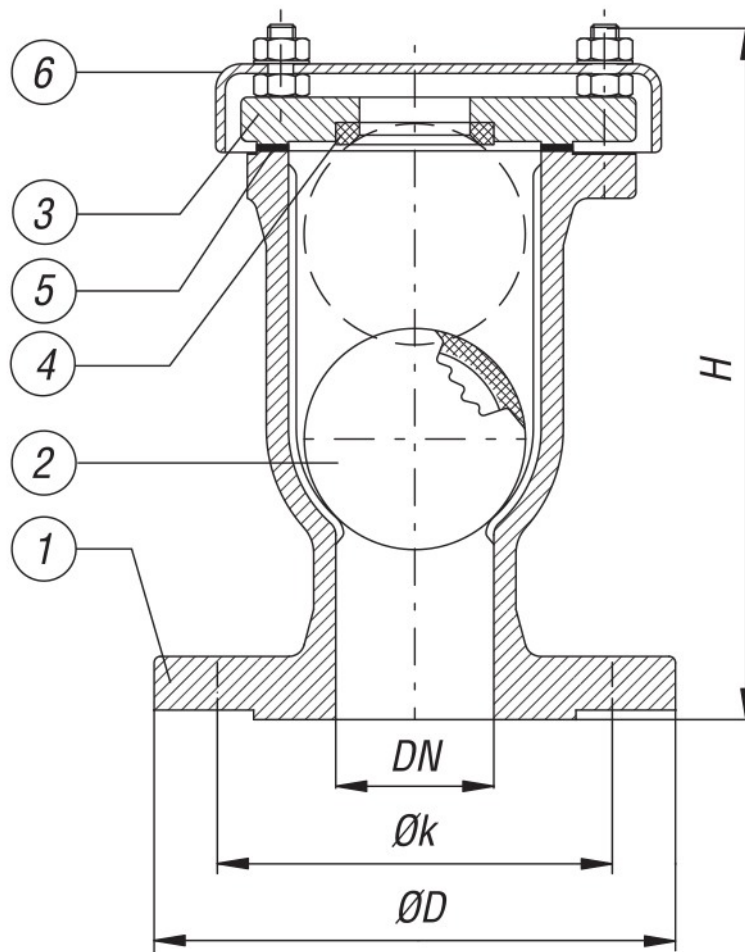
## MATERIALS

body	grey cast iron, ductile cast iron	ball	carbon steel with rubber coating, steel with EPDM coating
gasket	elastomer, compressed fibre	disc	ductile cast iron, stainless steel
stem	stainless steel	packing	PTFE, graphite
handwheel	grey cast iron		

AIR VENT

# Single & Double Air Release Valve

SECTION Technical drawing REF EFC-174



AIR VENT

# Single & Double Air Release Valve

SECTION Dimensions per size REF EFC-174

SIZE	B	H	OD	OK	WEIGHT
DN50	160	230	165	125	8 kg
DN80	250	290	200	160	17 kg
DN100	270	330	220	180	18 kg
DN150	310	435	285	240	50 kg
DN200	310	440	340	295	55 kg

All dimensions in millimetres unless stated otherwise. Values are nominal; tolerances confirmed at quote.