

CHEST VALVE

# Valve Chest Stop & SDNR Modular Type (Cell Type)

MODEL **VSVS-16** REF **EFC-169** ISSUED **05 Jun 2026**

## SPECIFICATIONS

Size	<b>DN40–DN250</b>
Pressure	<b>PN16</b>
End connection	<b>flanged (DIN EN 1092-1)</b>
Face-to-face	<b>DIN HNA PN16</b>

## ACTUATION

- manual handwheel — GG 25 handwheel



## MATERIALS

body	<b>grey cast iron, ductile iron, cast steel</b>	seat	<b>stainless steel, bronze</b>
disc	<b>stainless steel, bronze</b>	bonnet	<b>grey cast iron, ductile iron, cast steel</b>
packing	<b>graphite</b>	stem	<b>stainless steel, tin bronze</b>
gasket	<b>compressed fibre</b>	handwheel	<b>grey cast iron</b>

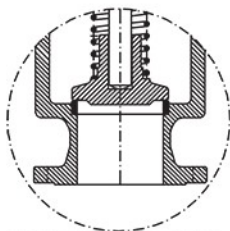
## FEATURES

- Combined stop and suction non-return (SDNR) chest valve configuration
- Body available in grey cast iron, ductile iron, or cast steel
- Stainless steel or bronze seat ring and disc options
- Graphite packing for stem sealing
- Klingerite gasket between body and bonnet
- Cast iron handwheel for manual operation
- Flanged ends to DIN EN 1092 PN16
- Dimensions per DIN HNA PN16

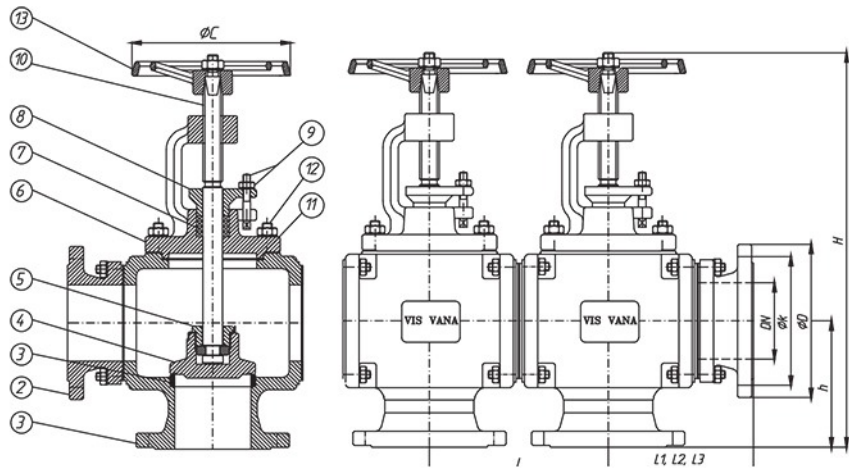
CHEST VALVE

# Valve Chest Stop & SDNR Modular Type (Cell Type)

SECTION Technical drawing REF EFC-169



SUCTION SDNR VALVE CHESTS  
KUMANDALI SANDIK CEK VALF



CHEST VALVE

## Valve Chest Stop & SDNR Modular Type (Cell Type)

SECTION Dimensions per size REF EFC-169

SIZE	L	L1	L2	L3	H	H	OC	D	K	WEIGHT
DN25	115	80	90	100	250	80	120	115	85	6 kg
DN32	130	90	100	115	270	90	120	140	100	8.5 kg
DN40	145	100	115	145	330	100	140	150	110	12 kg
DN50	170	115	145	155	400	115	140	165	125	18 kg
DN65	185	145	155	175	450	145	160	185	145	30.3 kg
DN80	205	155	175	200	500	155	160	200	160	33 kg
DN100	225	175	200	225	530	175	180	220	180	42 kg
DN125	260	200	225	255	570	200	225	250	210	55 kg
DN150	295	225	255	275	650	225	225	285	240	76 kg
DN200	355	275	300	325	750	275	250	340	295	130 kg
DN250	415	310	325	325	810	325	300	405	355	180 kg

All dimensions in millimetres unless stated otherwise. Values are nominal; tolerances confirmed at quote.