

FIRE HYDRANT

Angle Type 30 Oblique Type Fire Valve (Bolted Bonnet)

MODEL VKYO-16 REF EFC-168 ISSUED 05 Jun 2026

SPECIFICATIONS

Size	DN40–DN65
Pressure	PN16
End connection	flanged (EN 1092-3/B) / flanged (ASME) / flanged (JIS) / flanged (VG)
Face-to-face	VisVana Design
Media	water, firefighting water

ACTUATION

- manual handwheel — GG 25 or Bronze Rg5 handwheel

STANDARDS

Design	BS 5041, DIN 86211
Test	EN 12266

APPLICATIONS

- fire fighting
- fire hydrant systems



MATERIALS

body	bronze, cast steel	disc	bronze, cast steel
seat	elastomer	stem	brass, stainless steel
gasket	elastomer, compressed fibre	bonnet	bronze, cast steel
packing	graphite, PTFE	handwheel	grey cast iron, bronze

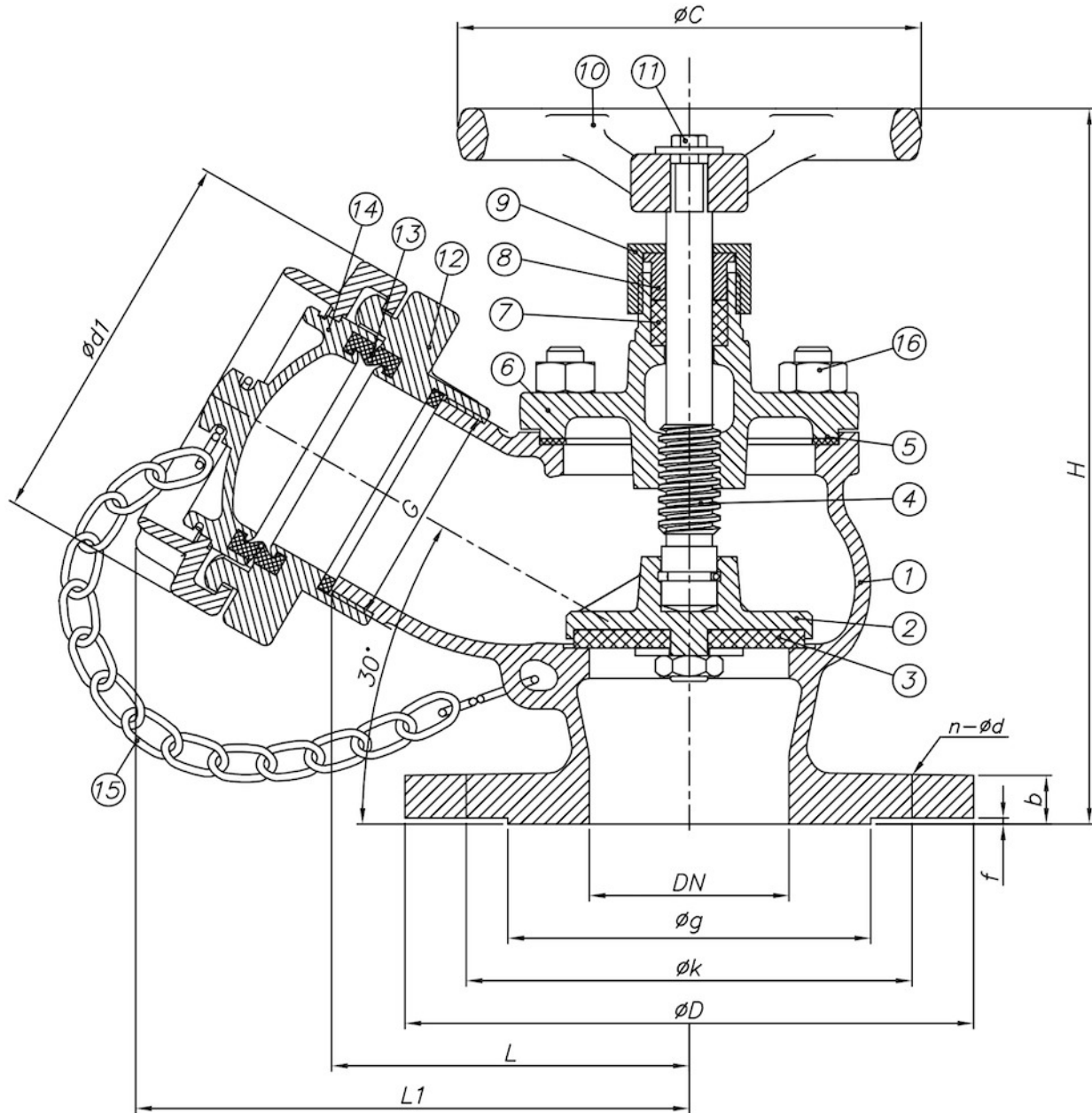
FEATURES

- 30° oblique body angle
- Bolted bonnet construction
- Coupling options: Storz, BS 336, Nor, Nakajima
- Chain/rope retainer for coupling cap
- Flange options available in ASME, JIS, VG in addition to EN 1092-3/B

FIRE HYDRANT

Angle Type 30 Oblique Type Fire Valve (Bolted Bonnet)

SECTION Technical drawing REF EFC-168



FIRE HYDRANT

Angle Type 30 Oblique Type Fire Valve (Bolted Bonnet)

SECTION Dimensions per size REF EFC-168

SIZE	L	L1	H_CLOSE	H_OPEN	G	D1	C	OD	OK	OG	B	F	N_OD	WEIGHT
DN40	150	220	160	170	1-1/2" inch	98	140	150	110	84	14	2	4-18	6.8 kg
DN50	165	235	165	180	2" inch	98	140	165	125	99	16	2	4-18	8.2 kg
DN65	200	265	185	205	2-1/2" inch	126	150	185	145	118	16	2	4-18	12.2 kg

All dimensions in millimetres unless stated otherwise. Values are nominal; tolerances confirmed at quote.