

FIRE HYDRANT

Angle Type Fire Valve (Bolted Bonnet)

MODEL VKYB-16 REF EFC-167 ISSUED 05 Jun 2026

SPECIFICATIONS

Size	DN40–DN65
Pressure	PN16
End connection	flanged (EN 1092-3/B) / flanged (ASME) / flanged (JIS) / flanged (VG)
Face-to-face	VisVana Design

ACTUATION

- manual handwheel — GG 25 or Bronze Rg5 handwheel

STANDARDS

Design	BS 5041, DIN 86211
Test	EN 12266

APPLICATIONS

- Fire fighting systems
- Fire hydrant installations

MATERIALS

body	bronze, cast steel	disc	bronze, cast steel
seat	elastomer	stem	brass, stainless steel
gasket	elastomer, compressed fibre	bonnet	bronze, cast steel
packing	graphite, PTFE	handwheel	grey cast iron, bronze

FEATURES

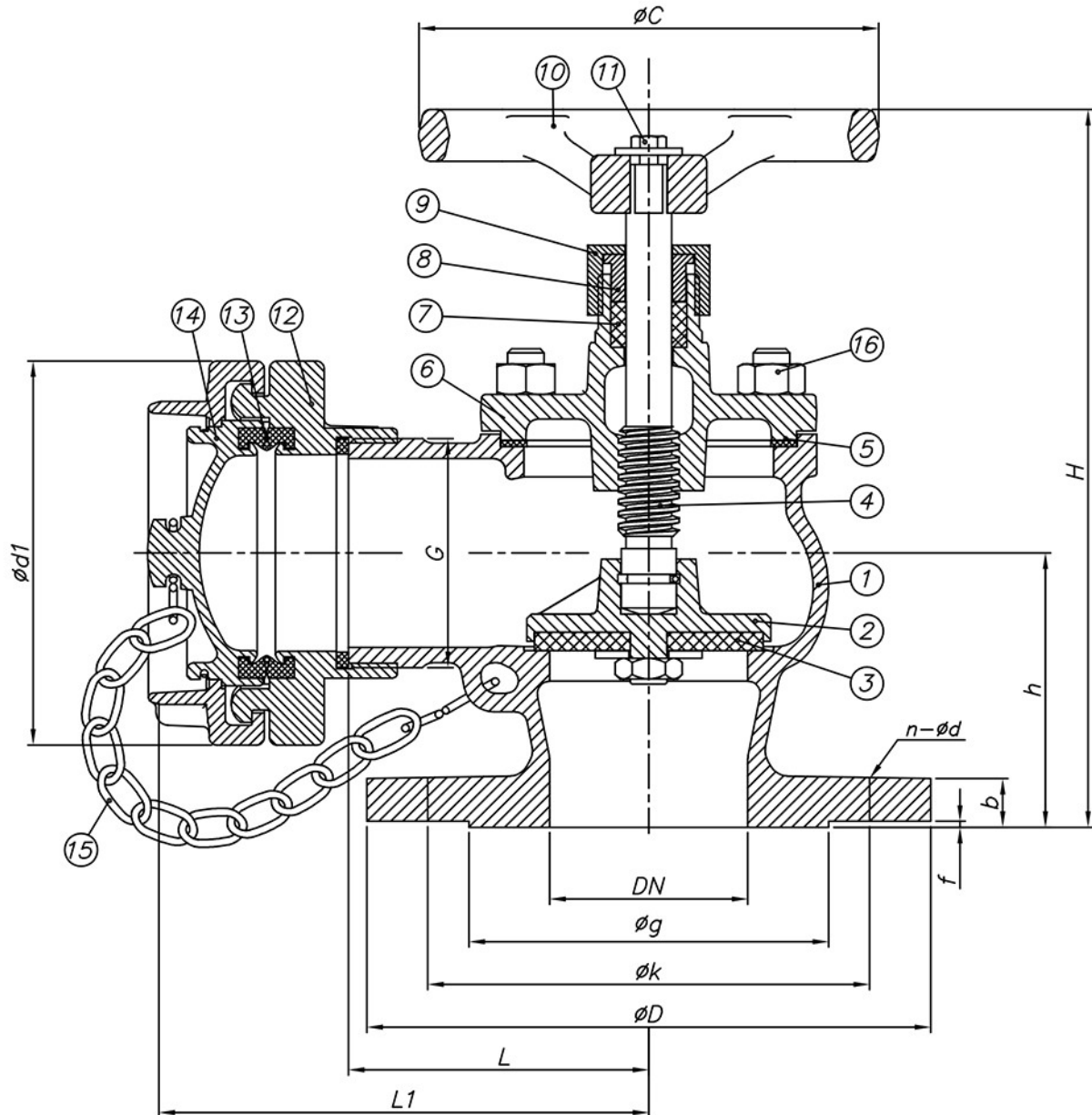
- Angle-type body configuration
- Bolted bonnet construction
- Multiple coupling options: Storz, BS 336, Nor, Nakajima
- Fixed coupling and blind coupling (dust cap) included
- Chain/rope retention for blind coupling
- Multiple flange standard options: EN 1092-3/B, ASME, JIS, VG



FIRE HYDRANT

Angle Type Fire Valve (Bolted Bonnet)

SECTION Technical drawing REF EFC-167



FIRE HYDRANT

Angle Type Fire Valve (Bolted Bonnet)

SECTION Dimensions per size REF EFC-167

SIZE	L	L1	HH_CLOSEDHH_OPEN		G	D1	C	OD	OK	OG	B	F	N_OD	WEIGHT	
DN40	75	145	65	200	215	1-1/2" inch	98	140	150	110	84	14	2	4-18	6.4 kg
DN50	75	145	75	210	225	2" inch	98	140	165	125	99	16	2	4-18	7.7 kg
DN65	95	160	90	235	255	2-1/2" inch	126	150	185	145	118	16	2	4-18	11.3 kg

All dimensions in millimetres unless stated otherwise. Values are nominal; tolerances confirmed at quote.