

FIRE HYDRANT

Angle Type Fire Valve

MODEL VKYB-16 REF EFC-162 ISSUED 05 Jun 2026

SPECIFICATIONS

Size	DN40–DN65
Pressure	PN16
End connection	flanged (EN 1092-3/B)
Face-to-face	DIN 86211

ACTUATION

- manual handwheel — GG 25 or Bronze Rg5 handwheel

STANDARDS

Design	BS 5041, DIN 86211
Test	EN 12266



MATERIALS

body	bronze, tin bronze, carbon steel	disc	bronze, tin bronze, carbon steel
seat	elastomer	stem	brass, stainless steel
gasket	elastomer, compressed fibre	bonnet	bronze, tin bronze, carbon steel
packing	graphite, PTFE	handwheel	grey cast iron, bronze

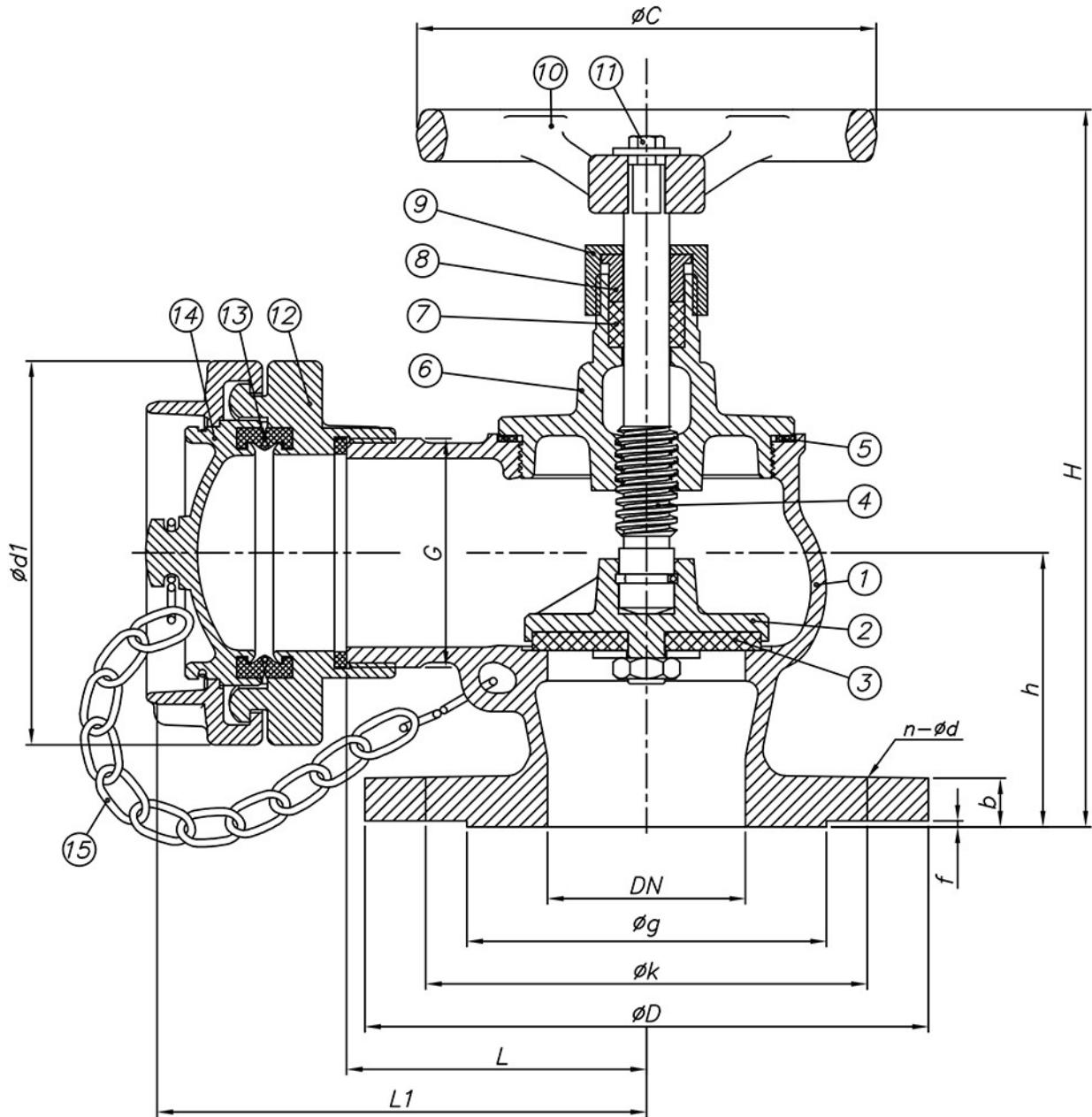
FEATURES

- Screwed bonnet design
- Angle type configuration
- Compatible with Storz, BS 336, Nor, and Nakajima coupling standards
- Flange options available: ASME, JIS, VG
- Fixed and blind coupling options included
- Chain/rope retainer for blind coupling in stainless steel

FIRE HYDRANT

Angle Type Fire Valve

SECTION Technical drawing REF EFC-162



FIRE HYDRANT

Angle Type Fire Valve

SECTION Dimensions per size REF EFC-162

SIZE	L	L1	HH_CLOSED	H_OPEN	D1	C	OD	OK	OG	B	F	WEIGHT	
DN40	75	145	65	200	215	98	140	150	110	84	14	2	6 kg
DN50	75	145	75	210	225	98	140	165	125	99	16	2	7.3 kg
DN65	95	160	90	235	255	126	150	185	145	118	16	2	10.5 kg

All dimensions in millimetres unless stated otherwise. Values are nominal; tolerances confirmed at quote.