

QUICK CLOSING VALVE

# Impulse Unit

REF EFC-158 ISSUED 05 Jun 2026

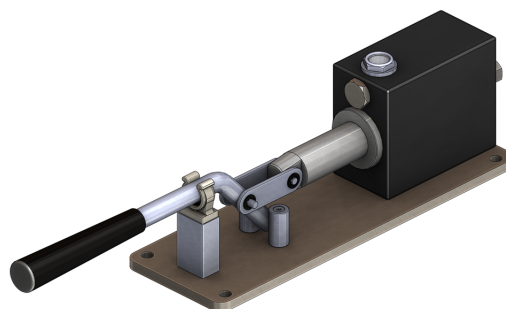
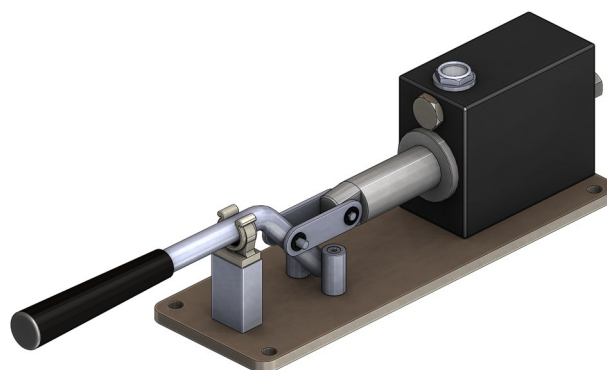
## SPECIFICATIONS

### ACTUATION

- manual lever — Steel control handle; 1 to 4 handles per unit depending on configuration

### APPLICATIONS

- Hydraulic actuation of quick closing valves



## FEATURES

---

- Modular design accommodating 1 to 4 control handles (pump stations) on a common mounting plate
- Oil-level window for visual inspection of hydraulic fluid level
- Stainless steel piston and filling plug for corrosion resistance
- Ductile iron (GGG 40) oil reservoir
- Mounting holes: 4× Ø10 mm on mounting plate
- Overall height 490 mm constant across all configurations
- Overall depth 295 mm constant across all configurations
- Scale 1:4; dimensional tolerances per DIN 7168

QUICK CLOSING VALVE

# Impulse Unit

SECTION Dimensions per size REF EFC-158

SIZE	H	D	W_OUTER	W_INNER	W_PUMP_CENTRES	DEPTH_106
1-handle configuration	490	295	325	85	105	106
2-handle configuration	490	295	325	165	185	106
3-handle configuration	490	295	325	225	245	106
4-handle configuration	490	295	325	280	300	106

All dimensions in millimetres unless stated otherwise. Values are nominal; tolerances confirmed at quote.