

QUICK CLOSING VALVE

Self Closing Valve With Spring Form

MODEL VDSY-16- REF EFC-156 ISSUED 05 Jun 2026

SPECIFICATIONS

Size	DN15–DN100
Pressure	CLASS 150
End connection	flanged (ANSI B16.5)
Face-to-face	DIN 3202/2-F1, DIN EN 558-1-1

ACTUATION

- manual handlever — Steel / SS304 / SS316 handlever

STANDARDS

Design	DIN 3202/2-F1
Test	API 598, DIN EN 12266

MATERIALS

body	ductile iron, carbon steel, bronze, stainless steel, duplex stainless steel	seat	stainless steel, bronze, duplex stainless steel
disc	stainless steel, bronze, duplex stainless steel	spring	stainless steel
gasket	compressed fibre, graphite	bonnet	ductile iron, carbon steel, bronze, stainless steel, duplex stainless steel
o ring	fluoroelastomer	stem	stainless steel, bronze, duplex stainless steel
handwheel	steel, stainless steel		

FEATURES

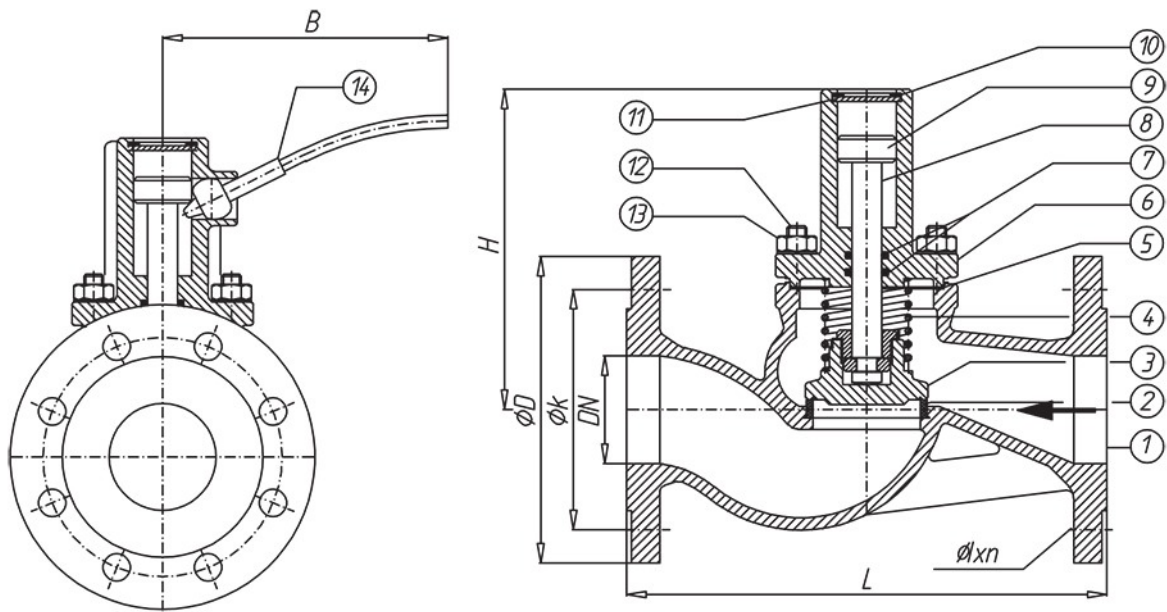
- Available in straight (VDSY-16) and angle (VASYT-16) body configurations
- Spring-loaded disc mechanism for automatic self-closing operation
- Wide range of body and trim material options including ductile iron, bronze, stainless steel, and duplex stainless steel
- ANSI B16.5 RF flanged ends
- Compatible with ANSI and JIS flanges as optional configurations



QUICK CLOSING VALVE

Self Closing Valve With Spring Form

SECTION Technical drawing REF EFC-156



QUICK CLOSING VALVE

Self Closing Valve With Spring Form

SECTION Dimensions per size REF EFC-156

SIZE	L	B	H	D	K	ØXN	WEIGHT
DN15	130	125	110	95	65	Ø16x4	4.2 kg
DN20	150	125	110	105	75	Ø16x4	4.7 kg
DN25	160	125	120	115	85	Ø16x4	5 kg
DN32	180	125	120	140	100	Ø16x4	6.5 kg
DN40	200	125	140	150	110	Ø16x4	8.5 kg
DN50	230	150	145	165	125	Ø19x4	9 kg
DN65	290	150	156	185	145	Ø19x4	10.5 kg
DN80	310	150	180	200	160	Ø19x4	13 kg
DN100	350	150	200	220	180	Ø19x4	18 kg

All dimensions in millimetres unless stated otherwise. Values are nominal; tolerances confirmed at quote.