

QUICK CLOSING VALVE

Self Closing Valve Straight & Angle Type Straight VAKD-16 / Angle VAKK-16

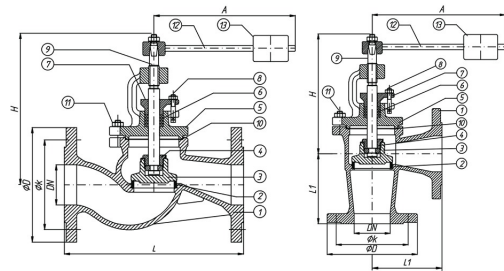
MODEL VAKD-16 REF EFC-155 ISSUED 05 Jun 2026

SPECIFICATIONS

Size	DN15–DN100
Pressure	PN16
End connection	flanged (DIN EN 1092-1-2)
Face-to-face	DIN 3356/2-F1, DIN 3356/2-F32, DIN EN 558-1-1, DIN EN 558-1-8

ACTUATION

- gravity/weight lever — Self-closing via counterweight (GG25 cast iron weight) on lever arm



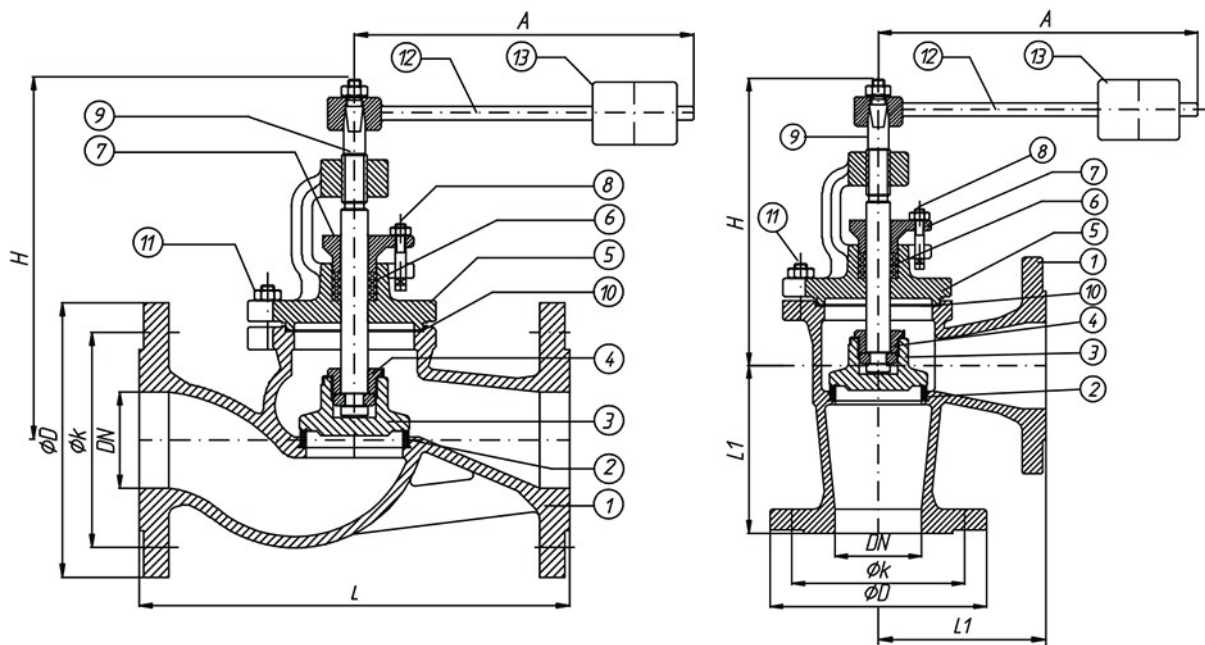
MATERIALS

body	ductile iron, cast steel, bronze, bronze/copper alloy, stainless steel, duplex stainless steel	seat	stainless steel, bronze, duplex stainless steel
disc	stainless steel, bronze, duplex stainless steel	spring	stainless steel
bonnet	ductile iron, cast steel, bronze, bronze/copper alloy, stainless steel, duplex stainless steel	packing	graphite, PTFE
gasket	compressed fibre, graphite	stem	stainless steel, bronze, duplex stainless steel

QUICK CLOSING VALVE

Self Closing Valve Straight & Angle Type Straight VAKD-16 / Angle VAKK-16

SECTION Technical drawing REF EFC-155



QUICK CLOSING VALVE

Self Closing Valve Straight & Angle Type Straight VAKD-16 / Angle VAKK-16

SECTION Dimensions per size REF EFC-155

SIZE	L	L1	H1	H2	D	K	A	WEIGHT
DN15	130	90	190	200	95	65	—	5.5 kg
DN20	150	95	200	210	105	75	180	6.5 kg
DN25	160	100	200	210	115	85	180	7 kg
DN32	180	105	210	225	140	100	180	9 kg
DN40	200	115	230	250	150	110	230	15 kg
DN50	230	125	240	260	165	125	230	16.5 kg
DN65	290	145	280	305	185	145	250	21 kg
DN80	310	155	300	330	200	160	300	27 kg
DN100	350	175	350	385	220	180	450	38 kg

All dimensions in millimetres unless stated otherwise. Values are nominal; tolerances confirmed at quote.