

QUICK CLOSING VALVE

Quick Closing Valve Angle Form

MODEL VAKK-16 REF EFC-154 ISSUED 05 Jun 2026

SPECIFICATIONS

Size	DN15–DN200
Pressure	PN16
End connection	flanged (DIN EN 1092)
Face-to-face	DIN EN 558-1-8

ACTUATION

- manual handwheel — G625 handwheel

STANDARDS

Design	DIN 3202/2-F32, TSEK DIN 3202/2-F32
--------	-------------------------------------



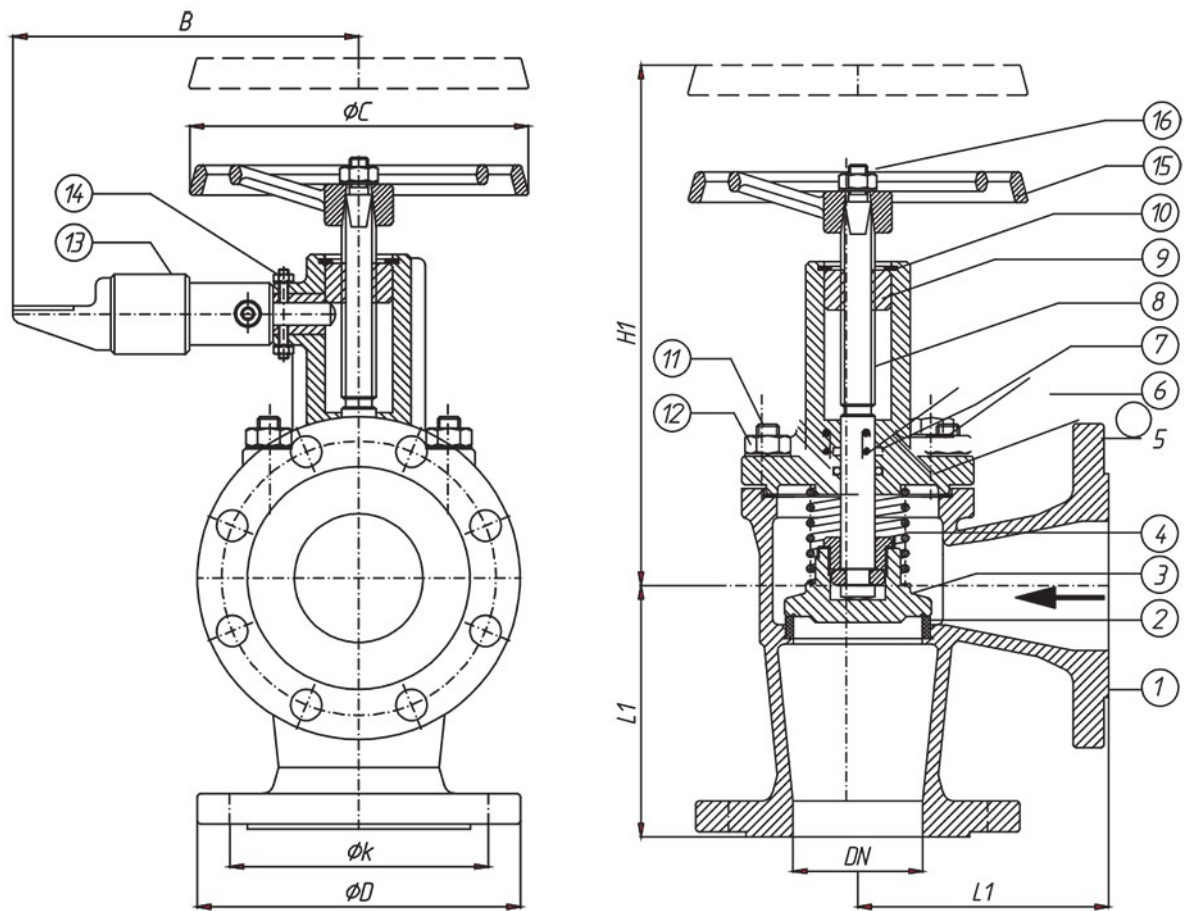
MATERIALS

body	cast iron, ductile iron, cast steel, bronze, stainless steel, duplex stainless steel	seat	stainless steel, bronze, duplex stainless steel
disc	stainless steel, bronze, duplex stainless steel	spring	stainless steel
gasket	compressed fibre, graphite	bonnet	cast iron, ductile iron, cast steel, bronze, stainless steel, duplex stainless steel
o ring	fluoroelastomer	stem	stainless steel, bronze, duplex stainless steel
handwheel	cast iron		

QUICK CLOSING VALVE

Quick Closing Valve Angle Form

SECTION Technical drawing REF EFC-154



QUICK CLOSING VALVE

Quick Closing Valve Angle Form

SECTION Dimensions per size REF EFC-154

SIZE	L	B	ØC	H_OPEN	D	K	WEIGHT
DN15	90	145	120	185	95	65	4.4 kg
DN20	95	145	120	185	105	75	5.5 kg
DN25	100	145	120	195	115	85	6.5 kg
DN32	105	145	140	205	140	100	8 kg
DN40	115	145	140	230	150	110	10.5 kg
DN50	125	145	160	240	165	125	13 kg
DN65	145	145	160	275	185	145	17 kg
DN80	155	145	180	290	200	160	24 kg
DN100	175	145	200	350	220	180	30 kg
DN125	200	150	225	410	250	210	45 kg
DN150	225	150	250	430	285	240	65 kg
DN200	275	155	400	580	340	295	110 kg

All dimensions in millimetres unless stated otherwise. Values are nominal; tolerances confirmed at quote.