

QUICK CLOSING VALVE

## Quick Closing Valve Straight Form VDAK-16

MODEL VDAK-16 REF EFC-153 ISSUED 05 Jun 2026

### SPECIFICATIONS

Size	DN15–DN200
Pressure	PN16
End connection	flanged (DN 2533)
Face-to-face	DIN 3202/2-F1

### ACTUATION

- manual handwheel — GG25 handwheel



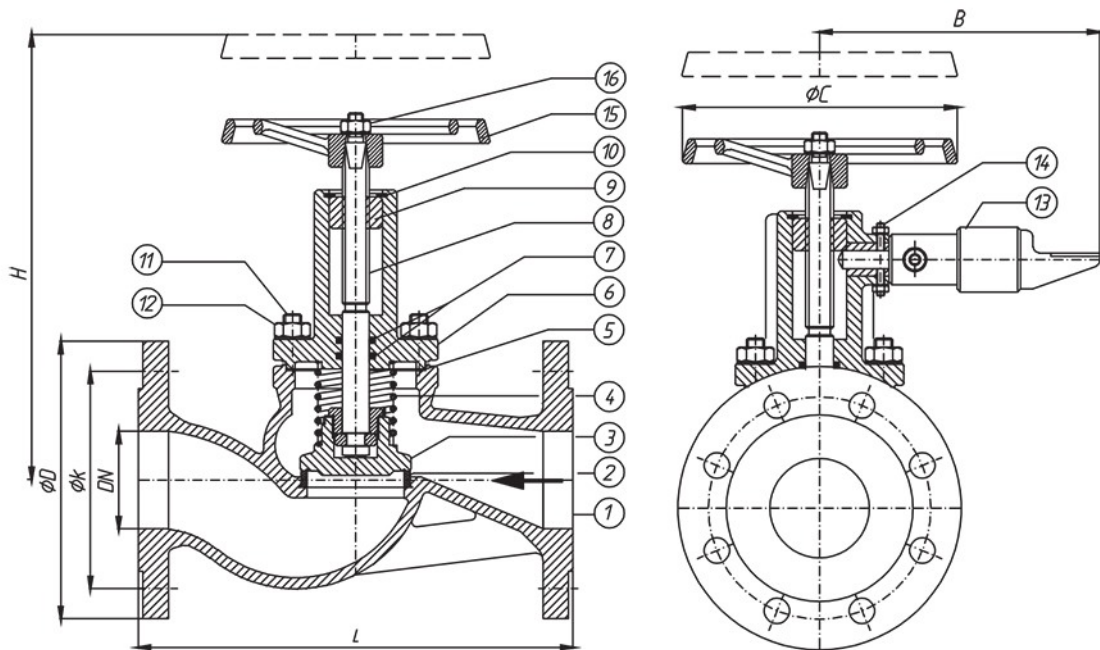
**MATERIALS**

body	<b>cast iron, ductile iron, cast steel, bronze, stainless steel, duplex stainless steel</b>	seat	<b>stainless steel, bronze, duplex stainless steel</b>
disc	<b>stainless steel, bronze, duplex stainless steel</b>	spring	<b>stainless steel</b>
gasket	<b>compressed fibre, graphite</b>	bonnet	<b>cast iron, ductile iron, cast steel, bronze, stainless steel, duplex stainless steel</b>
o ring	<b>fluoroelastomer</b>	handwheel	<b>cast iron</b>

QUICK CLOSING VALVE

# Quick Closing Valve Straight Form VDAK-16

SECTION Technical drawing REF EFC-153



QUICK CLOSING VALVE

## Quick Closing Valve Straight Form VDAK-16

SECTION Dimensions per size REF EFC-153

SIZE	L	B	OC	H_OPEN	D	K	WEIGHT
DN15	130	145	120	185	95	65	4.4 kg
DN20	150	145	120	185	105	75	5.5 kg
DN25	160	145	140	195	115	85	6.5 kg
DN32	180	145	140	205	140	100	7.5 kg
DN40	200	145	160	230	150	110	10.5 kg
DN50	230	145	160	240	165	125	13.5 kg
DN65	290	145	180	275	185	145	17.5 kg
DN80	310	145	200	290	200	160	24 kg
DN100	350	145	225	350	220	180	33 kg
DN125	400	150	250	410	250	210	55 kg
DN150	480	150	300	430	285	240	95 kg
DN200	600	155	400	580	340	295	130 kg

All dimensions in millimetres unless stated otherwise. Values are nominal; tolerances confirmed at quote.