

SAFETY VALVE

Safety Valves (Spring Loaded) Full Lift VEYT-10-16-25-40 Proportional Lift VEYO-10-16-25-40

MODEL VEYT-10-16-25-40 REF EFC-146 ISSUED 05 Jun 2026

SPECIFICATIONS

Size	DN25–DN100
Pressure	PN10–PN40
End connection	flanged (DIN 2532 / DIN 2533) / flanged (DIN 2544 / DIN 2545)
Face-to-face	DIN 3202-F32
Temperature	null°C to 80°C



MATERIALS

body	grey cast iron, ductile iron, cast carbon steel	seat	stainless steel
disc	stainless steel	stem	stainless steel
bonnet	grey cast iron, ductile iron, cast carbon steel	spring	stainless steel

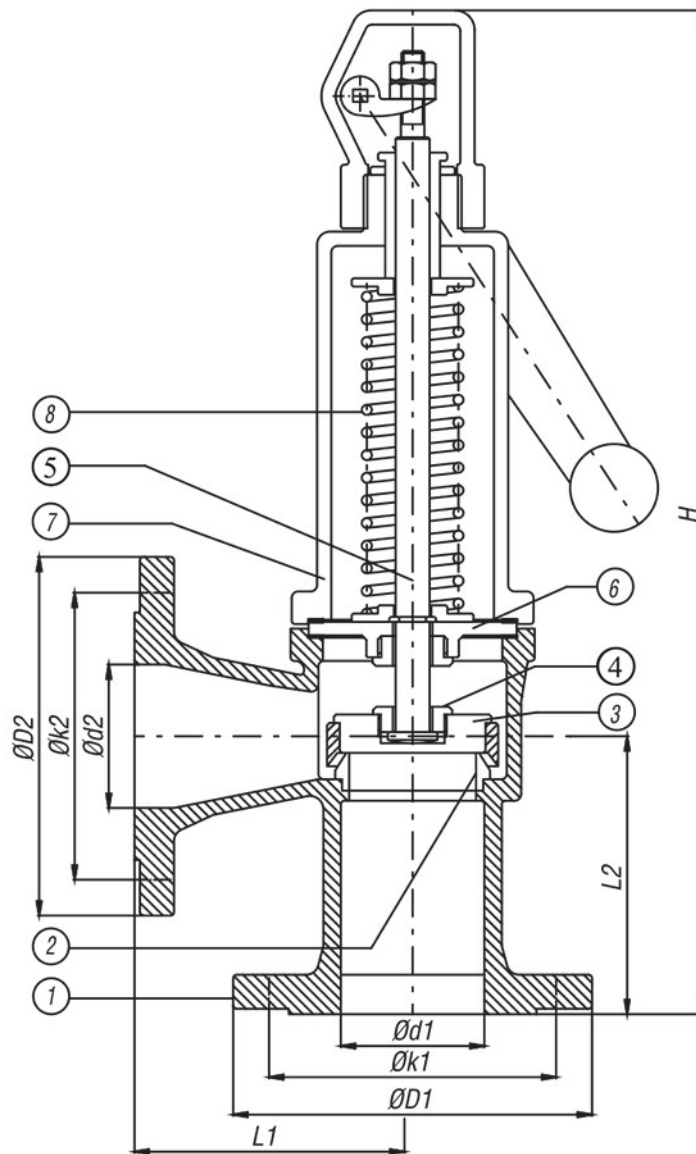
FEATURES

- Spring-loaded actuation mechanism
- Full lift variant (VEYT) for rapid full opening
- Proportional lift variant (VEYO) for gradual opening proportional to overpressure
- Separate inlet and outlet flange connections with differing bore sizes
- Available in two pressure rating groups: PN10-16 (DIN 2532/2533) and PN25-40 (DIN 2544/2545)
- Dimensions per DIN 3202-F32 (open bonnet)

SAFETY VALVE

Safety Valves (Spring Loaded) Full Lift VEYT-10-16-25-40 Proportional Lift VEYO-10-16-25-40

SECTION Technical drawing REF EFC-146



SAFETY VALVE

Safety Valves (Spring Loaded) Full Lift VEYT-10-16-25-40 Proportional Lift VEYO-10-16-25-40

SECTION Dimensions per size REF EFC-146

SIZE	L1	L2	H	OD1	OD1_INLET	OK1_INLET	OD2	OD2_OUT-LET	OK2_OUT-LET	WEIGHT
DN25	100	115	410	25	115	85	40	150	110	10 kg
DN32	110	125	426	32	140	100	50	165	125	13 kg
DN40	120	135	446	40	150	110	65	185	145	18 kg
DN50	135	150	484	50	165	125	80	200	160	24 kg
DN65	140	155	549	65	185	145	100	220	180	34 kg
DN80	150	175	631	80	200	160	125	250	210	45 kg
DN100	170	195	686	100	220	180	150	285	240	64 kg

All dimensions in millimetres unless stated otherwise. Values are nominal; tolerances confirmed at quote.