

FLOAT VALVE

Float Valve

MODEL **VDSV-10-16** REF **EFC-145** ISSUED **05 Jun 2026**

SPECIFICATIONS

Size	DN40–DN600
Pressure	PN10–PN16
End connection	flanged (EN 1092-2/B)
Face-to-face	EN 558 Serie 1, DIN 3202 F1

STANDARDS

Design	DIN 3356
Test	EN 12266



MATERIALS

body	grey cast iron, ductile cast iron	seat	brass, stainless steel
seal	elastomer	disc	brass, stainless steel
bonnet	grey cast iron, ductile cast iron	gasket	elastomer
stem	stainless steel	o ring	elastomer

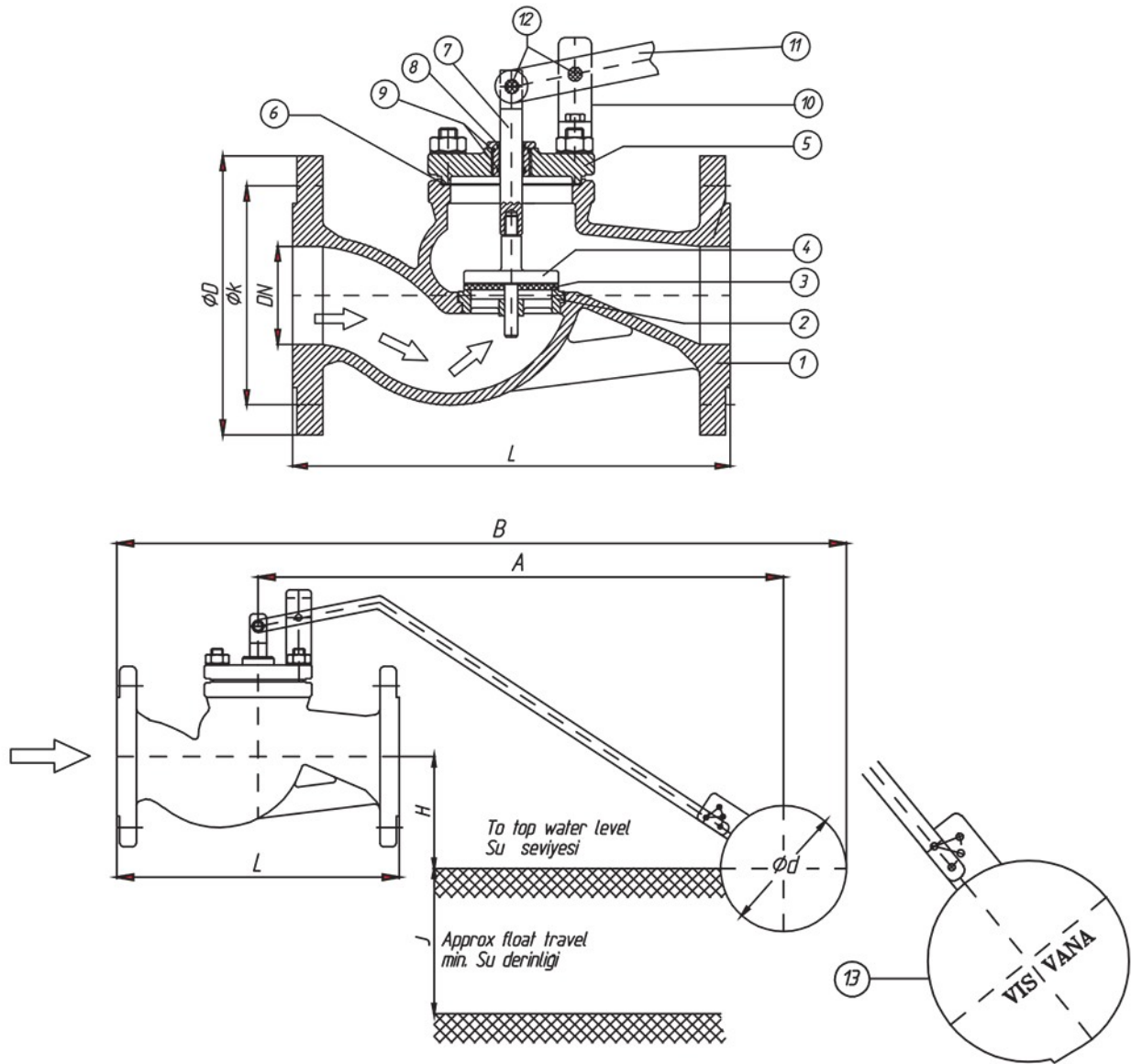
FEATURES

- Float-actuated lever mechanism controls valve based on liquid level
- EPDM sealing elements for seat, seal, gasket and O-ring
- Stainless steel or brass stem and seat ring options
- Float sphere available in copper or AISI 304-316 stainless steel
- Cast iron body (GG 25 or GGG-40) compatible with PN10 and PN16 flanges

FLOAT VALVE

Float Valve

SECTION Technical drawing REF EFC-145



FLOAT VALVE

Float Valve

SECTION Dimensions per size REF EFC-145

SIZE	L	A	B	H	J	OD	WEIGHT
DN40	200	1295	1562	172	463	280	19 kg
DN50	230	1295	1562	172	463	280	20 kg
DN65	290	1460	1755	305	545	320	30 kg
DN80	310	1460	1755	305	545	320	35 kg
DN100	350	1535	1890	330	546	350	55 kg
DN125	400	1850	2305	340	721	350	70 kg
DN150	480	1850	2305	340	721	400	100 kg
DN200	600	2145	2995	340	907	400	180 kg
DN250	730	2345	3150	455	1150	500	270 kg
DN300	850	2995	3700	455	1502	500	370 kg

All dimensions in millimetres unless stated otherwise. Values are nominal; tolerances confirmed at quote.