

JIS VALVE

# JIS Angle Globe Valve

REF **EFC-143** ISSUED 05 Jun 2026

## SPECIFICATIONS

Size	<b>DN15–DN40</b>
Pressure	<b>16K</b>
End connection	<b>flanged (JIS B2240)</b>
Temperature	<b>-999°C to 205°C</b>
Media	<b>air, gas, oil, pulsation water</b>

## ACTUATION

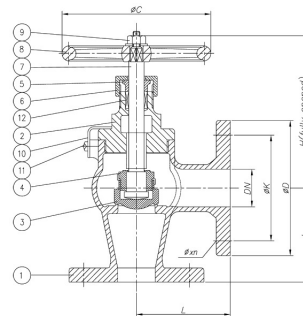
- manual handwheel — GG 25 handwheel

## STANDARDS

Design	<b>JIS F7304, JIS F7410</b>
Test	<b>JIS F7400</b>

## APPLICATIONS

- air
- gas
- oil
- pulsation water



## MATERIALS

body	<b>bronze</b>	bonnet	<b>bronze</b>
disc	<b>brass, bronze</b>	stem	<b>brass</b>
handwheel	<b>grey cast iron</b>	packing	<b>graphite</b>

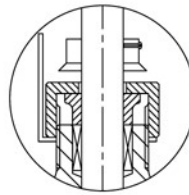
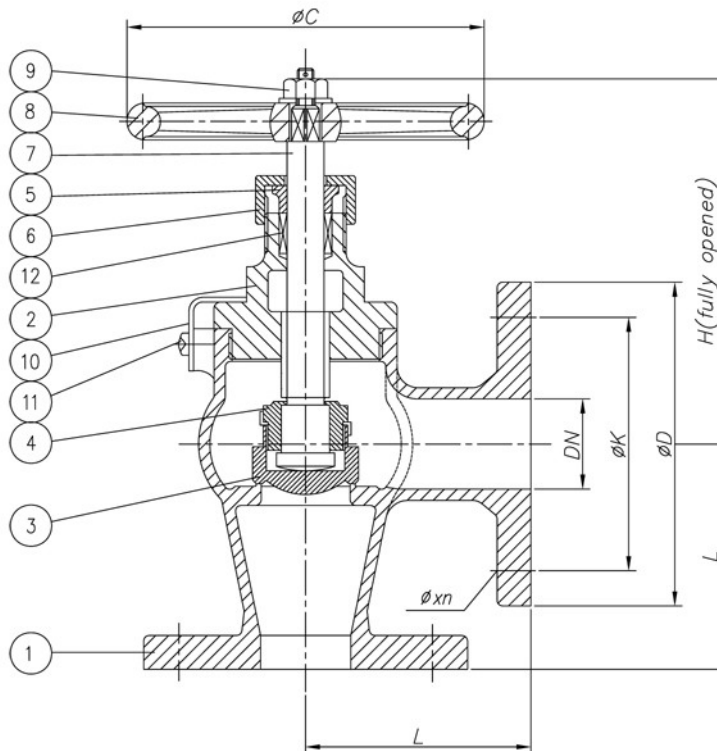
## FEATURES

- Angle-pattern body configuration
- Available in STOP (JIS F7304) and Screw Down Non Return / SDNR (JIS F7410) variants
- Indicator feature available
- Graphite packing
- Flanged ends per JIS B2240 16K

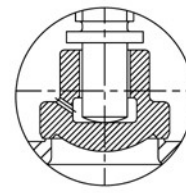
JIS VALVE

# JIS Angle Globe Valve

SECTION Technical drawing REF EFC-143



Indicator



Screw Down Non Return (SDNR)

JIS VALVE

# JIS Angle Globe Valve

SECTION Dimensions per size REF EFC-143

SIZE	L	H	C	D	K	WEIGHT
DN15	70	120	80	95	70	2.73 kg
DN20	75	130	100	100	75	3.65 kg
DN25	85	145	125	125	90	5.16 kg
DN32	95	150	125	135	100	6.72 kg
DN40	100	165	140	140	105	8.13 kg

All dimensions in millimetres unless stated otherwise. Values are nominal; tolerances confirmed at quote.