

JIS VALVE

# JIS Angle Type Storm Valve

REF EFC-142 ISSUED 05 Jun 2026

## SPECIFICATIONS

Size	DN50–DN150
Pressure	5K–10K
End connection	flanged (JIS B2239) / flanged (JIS B2239)
Media	wastewater

## ACTUATION

- handwheel manual

## STANDARDS

Design	JIS F3060
Test	JIS F7400

## APPLICATIONS

- Aboard ships for wastewater



## MATERIALS

---

body	<b>cast steel</b>	disc	<b>bronze</b>
gasket	<b>elastomer, non-asbestos fibre</b>	stem	<b>stainless steel</b>
packing	<b>graphite</b>	handwheel	<b>cast iron</b>

---

## FEATURES

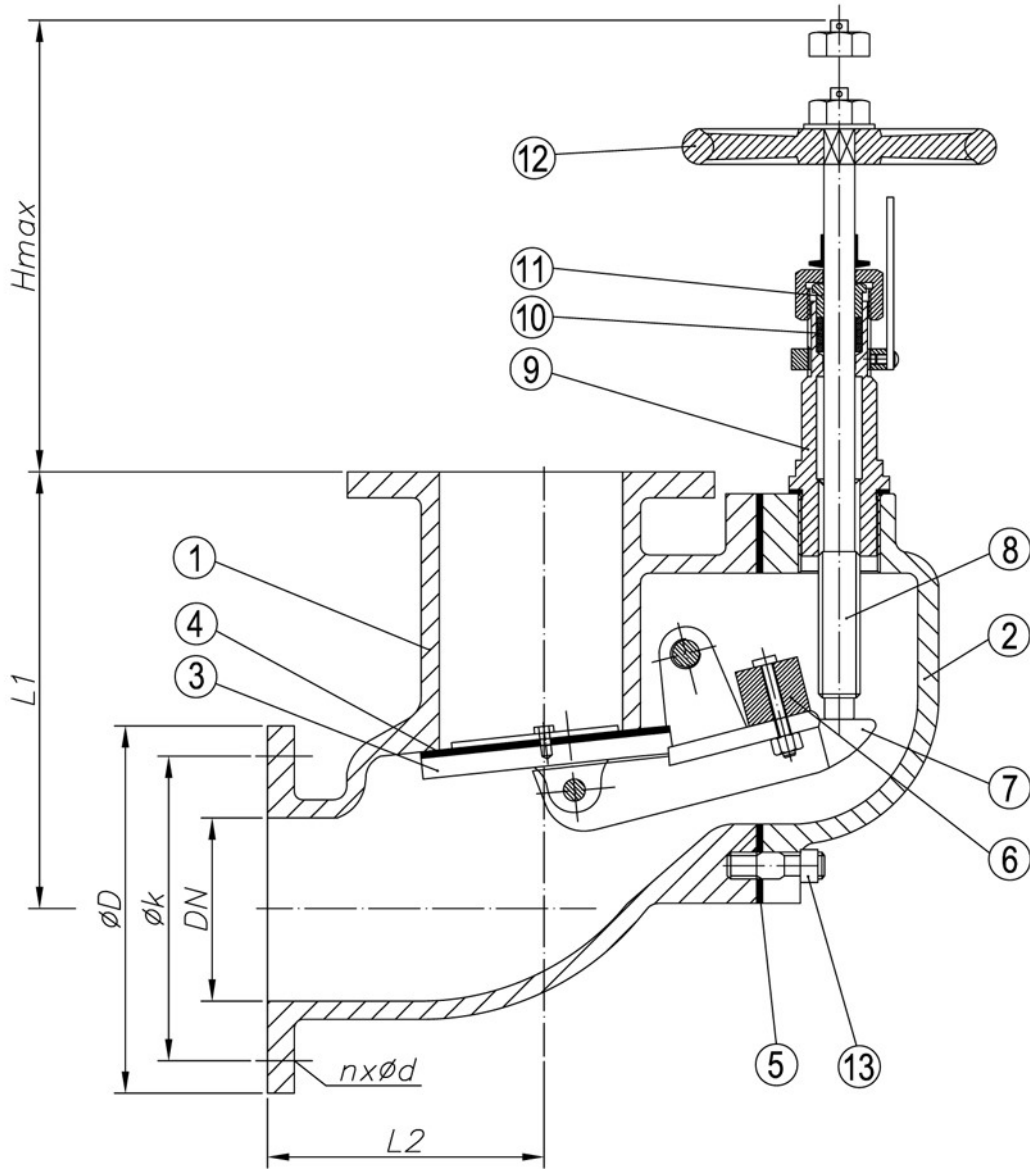
---

- Angle-type body configuration
- Counterweight mechanism on disc arm
- Dual pressure class: 5K and 10K
- Graphite packing
- Designed for marine shipboard wastewater service

JIS VALVE

# JIS Angle Type Storm Valve

SECTION Technical drawing REF EFC-142



JIS VALVE

# JIS Angle Type Storm Valve

SECTION Dimensions per size REF EFC-142

SIZE	L1	L2	HMAX	D_5K	K_5K	OXN_5K	D_10K	K_10K	OXN_10K
<b>DN50</b>	170	90	187	130	105	Ø15x4	155	120	Ø19x4
<b>DN65</b>	200	110	175	155	130	Ø15x4	175	140	Ø19x4
<b>DN80</b>	220	120	180	180	145	Ø19x4	185	150	Ø19x8
<b>DN100</b>	250	130	175	200	165	Ø19x8	210	175	Ø19x8
<b>DN125</b>	270	150	192	235	200	Ø19x8	250	210	Ø23x8
<b>DN150</b>	310	165	187	265	230	Ø19x8	280	240	Ø23x8

All dimensions in millimetres unless stated otherwise. Values are nominal; tolerances confirmed at quote.