

JIS VALVE

JIS Straight Type Storm Valve

REF EFC-141 ISSUED 05 Jun 2026

SPECIFICATIONS

Size	DN50–DN150
Pressure	5K–10K
End connection	flanged (JIS B2239) / flanged (JIS B2239)
Media	wastewater

ACTUATION

- manual handwheel — Cast iron handwheel with stainless steel spindle

STANDARDS

Design	JIS F3060
Test	JIS F7400

APPLICATIONS

- Aboard ships for wastewater



MATERIALS

body	cast steel	bonnet	cast steel
disc	bronze	gasket	elastomer, non-asbestos fibre
stem	stainless steel	packing	graphite
handwheel	cast iron		

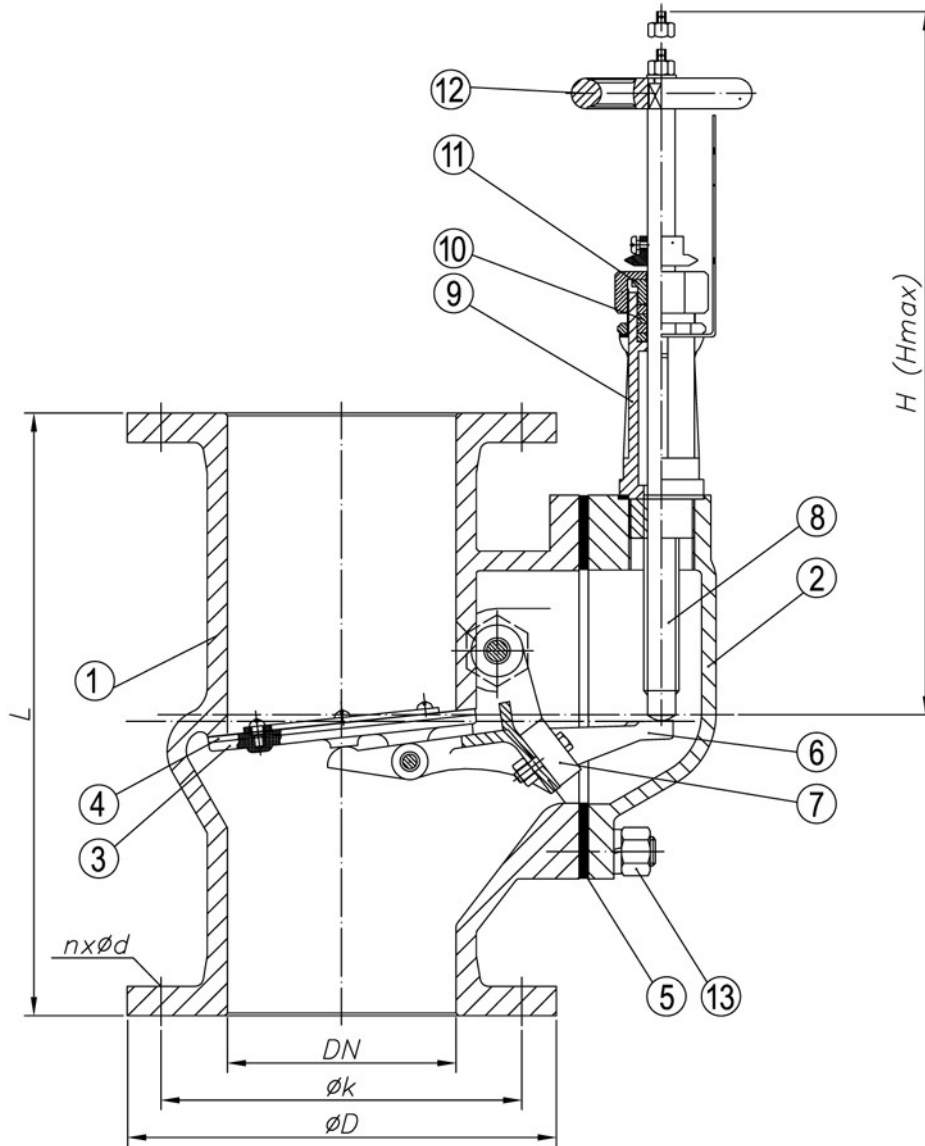
FEATURES

-
- Straight-type body configuration
 - Counterweight-assisted disc closure
 - Spindle box with bronze bushing
 - Graphite packing
 - Available in JIS 5K and 10K pressure classes

JIS VALVE

JIS Straight Type Storm Valve

SECTION Technical drawing REF EFC-141



JIS VALVE

JIS Straight Type Storm Valve

SECTION Dimensions per size REF EFC-141

SIZE	L	H	HMAX	D_5K	K_5K	BOLT_5K	D_10K	K_10K	BOLT_10K
DN50	210	290	328	130	105	undefined undefined	155	120	undefined undefined
DN65	240	290	335	155	130	undefined undefined	175	140	undefined undefined
DN80	260	290	335	180	145	undefined undefined	185	150	undefined undefined
DN100	280	290	340	200	165	undefined undefined	210	175	undefined undefined
DN125	330	290	340	235	200	undefined undefined	250	210	undefined undefined
DN150	360	290	345	265	230	undefined undefined	280	240	undefined undefined

All dimensions in millimetres unless stated otherwise. Values are nominal; tolerances confirmed at quote.