

JIS VALVE

# JIS 16K Straight Globe Valve

REF **EFC-137** ISSUED 05 Jun 2026

## SPECIFICATIONS

Size	<b>DN50–DN200</b>
Pressure	<b>16K</b>
End connection	<b>flanged (JIS B2239)</b>
Media	<b>water, oil, steam</b>

## STANDARDS

Design	<b>JIS F7309 STOP, JIS F7377 SDNR</b>
Test	<b>JIS F7400</b>

## APPLICATIONS

- Marine / aboard ships
- hot water
- cold water
- oil
- steam

## MATERIALS

body	<b>grey cast iron, ductile iron, carbon steel casting</b>	seat	<b>bronze, stainless steel</b>
disc	<b>grey cast iron, ductile iron, carbon steel casting</b>	gasket	<b>compressed fibre</b>
bonnet	<b>grey cast iron, ductile iron, carbon steel casting</b>	packing	<b>graphite</b>
stem	<b>brass/nickel alloy, stainless steel</b>	handwheel	<b>grey cast iron</b>

## FEATURES

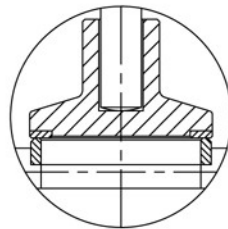
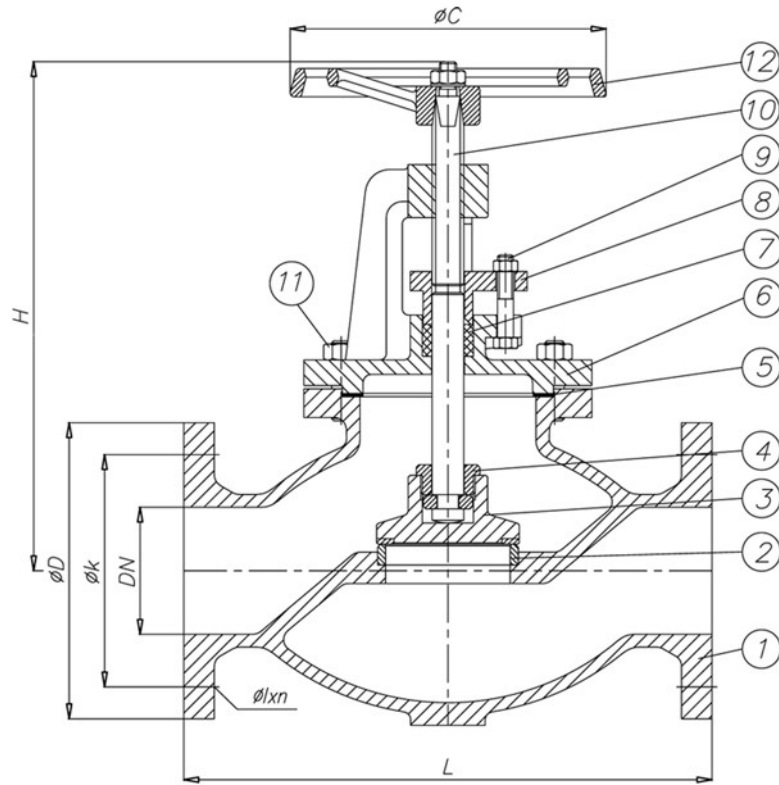
- Available as STOP valve (JIS F7309) or Screw Down Non Return valve (JIS F7377 SDNR)
- Flanged ends to JIS B2239 16K
- Straight (inline) flow path configuration
- Graphite stem packing



JIS VALVE

# JIS 16K Straight Globe Valve

SECTION Technical drawing REF EFC-137



*Screw Down Non Return  
(SDNR)*

JIS VALVE

# JIS 16K Straight Globe Valve

SECTION Dimensions per size REF EFC-137

SIZE	L	H	C	D	K	ØXN	WEIGHT
DN50	220	260	160	155	120	Ø19x8	12.1 kg
DN65	270	300	180	175	140	Ø19x8	17.9 kg
DN80	300	315	200	200	160	Ø23x8	25.7 kg
DN100	350	340	220	225	185	Ø23x8	33.9 kg
DN125	430	400	250	270	225	Ø25x8	54 kg
DN150	500	460	300	305	260	Ø25x12	—
DN200	570	550	400	350	305	Ø25x12	—

All dimensions in millimetres unless stated otherwise. Values are nominal; tolerances confirmed at quote.