

JIS VALVE

JIS 10K Straight Globe Valve

REF **EFC-136** ISSUED **05 Jun 2026**

SPECIFICATIONS

Size	DN50–DN300
Pressure	10K
End connection	flanged (JIS B2239)
Media	water, hot water, cold water, oil, steam

ACTUATION

- handwheel — GG 25 cast iron handwheel

STANDARDS

Design	JIS F7307 STOP, JIS F7375 SDNR
Test	JIS F7400

APPLICATIONS

- aboard ships
- hot and cold water systems
- oil systems
- steam systems



MATERIALS

body	grey cast iron, ductile cast iron, cast carbon steel	seat	bronze, stainless steel
disc	grey cast iron, ductile cast iron, cast carbon steel	gasket	compressed fibre
bonnet	grey cast iron, ductile cast iron, cast carbon steel	packing	graphite
stem	brass/nickel bronze, stainless steel	handwheel	grey cast iron

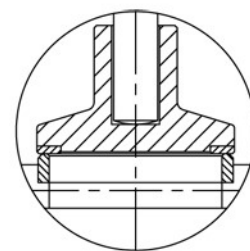
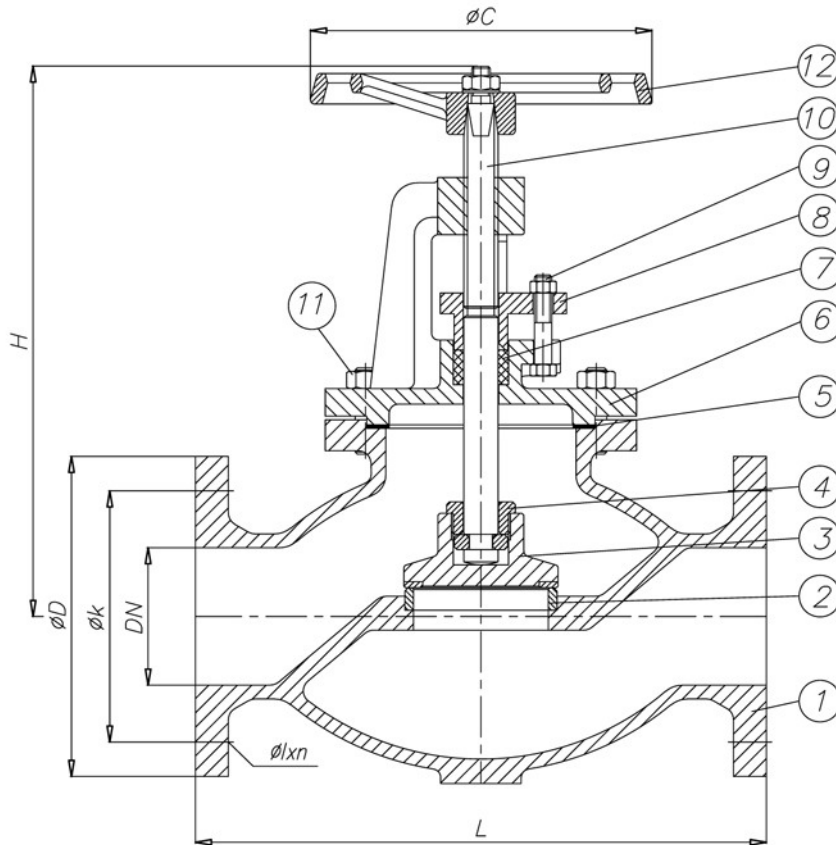
FEATURES

- Straight (inline) flow pattern globe valve
- Available as STOP (JIS F7307) or Screw Down Non Return / SDNR (JIS F7375) configuration
- Flanged ends to JIS B2239 10K
- Graphite packing for stem sealing
- Klingerite bonnet gasket

JIS VALVE

JIS 10K Straight Globe Valve

SECTION Technical drawing REF EFC-136



*Screw Down Non Return
(SDNR)*

JIS VALVE

JIS 10K Straight Globe Valve

SECTION Dimensions per size REF EFC-136

SIZE	L	H	C	D	K	ØXN	WEIGHT
DN50	220	260	160	155	120	Ø19x4	12.4 kg
DN65	270	300	180	175	140	Ø19x4	18.2 kg
DN80	300	315	200	185	150	Ø19x8	24.1 kg
DN100	350	340	220	210	175	Ø19x8	31.1 kg
DN125	420	400	250	250	210	Ø23x8	47.5 kg
DN150	490	460	300	280	240	Ø23x8	—
DN200	570	550	400	330	290	Ø23x12	—
DN250	740	680	400	400	355	Ø25x12	—
DN300	840	770	500	445	400	Ø25x16	—

All dimensions in millimetres unless stated otherwise. Values are nominal; tolerances confirmed at quote.