

JIS VALVE

# JIS 5K Straight Globe Valve

REF **EFC-135** ISSUED 05 Jun 2026

## SPECIFICATIONS

Size	<b>DN50–DN400</b>
Pressure	<b>5K</b>
End connection	<b>flanged (JIS B2239)</b>
Media	<b>water, hot water, cold water, oil, steam</b>

## ACTUATION

- manual handwheel — GG 25 handwheel

## STANDARDS

Design	<b>JIS F7305, JIS F7353</b>
Test	<b>JIS F7400</b>

## APPLICATIONS

- aboard ships
- hot and cold water service
- oil service
- steam service



**MATERIALS**

body	<b>grey cast iron, ductile iron, carbon steel casting</b>	seat	<b>bronze, stainless steel</b>
disc	<b>grey cast iron, ductile iron, carbon steel casting</b>	gasket	<b>compressed fibre</b>
bonnet	<b>grey cast iron, ductile iron, carbon steel casting</b>	packing	<b>graphite</b>
stem	<b>brass/copper alloy, stainless steel</b>	handwheel	<b>grey cast iron</b>

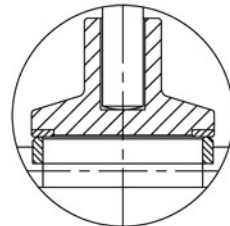
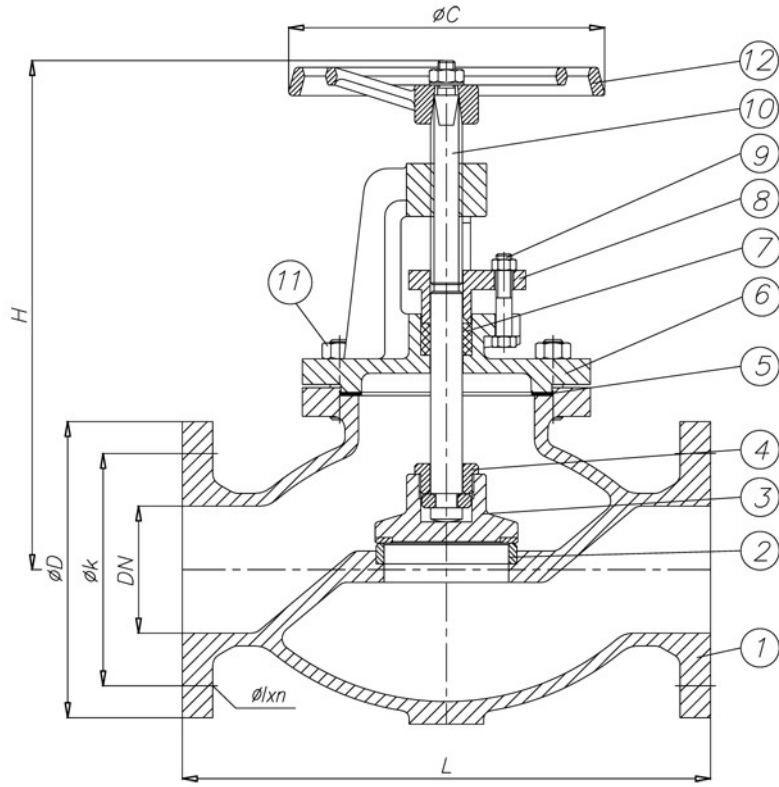
**FEATURES**

- Available in STOP (JIS F7305) and Screw Down Non Return / SDNR (JIS F7353) configurations
- Flanged ends to JIS B2239-5K
- Graphite packing
- Klingerite bonnet gasket
- Multiple body material options: grey cast iron, ductile iron, carbon steel casting

JIS VALVE

# JIS 5K Straight Globe Valve

SECTION Technical drawing REF EFC-135



*Screw Down Non Return  
(SDNR)*

JIS VALVE

# JIS 5K Straight Globe Valve

SECTION Dimensions per size REF EFC-135

SIZE	L	H	C	D	K	ØXN	WEIGHT
DN50	210	260	160	130	105	Ø15x4	12.4 kg
DN65	250	300	180	155	130	Ø15x4	18.2 kg
DN80	280	315	200	180	145	Ø19x4	24.1 kg
DN100	340	340	220	200	165	Ø19x8	31.1 kg
DN125	410	400	250	235	200	Ø19x8	47.5 kg
DN150	480	460	300	265	230	Ø19x8	—
DN200	570	550	400	320	280	Ø23x8	—
DN250	740	680	400	385	345	Ø23x12	—
DN300	840	770	500	430	390	Ø23x12	—
DN350	940	840	500	480	435	Ø25x12	—
DN400	1050	940	630	540	495	Ø25x16	—

All dimensions in millimetres unless stated otherwise. Values are nominal; tolerances confirmed at quote.