

JIS VALVE

# JIS 5K Straight Globe Valve

REF **EFC-132** ISSUED **05 Jun 2026**

## SPECIFICATIONS

|                |   |
|----------------|---|
| Size           | <b>DN15–DN65</b>                                    |
| Pressure       | <b>5K</b>   |
| End connection | <b>flanged (JIS B2240)</b>                          |
| Temperature    | <b>null°C to 205°C</b>                              |
| Media          | <b>steam, water, air, gas, oil, pulsation water</b> |

## ACTUATION

- manual handwheel — GG 25 handwheel

## STANDARDS

|        |                             |
|--------|-----------------------------|
| Design | <b>JIS F7301, JIS F7351</b> |
| Test   | <b>JIS F7400</b>            |

## APPLICATIONS

- air
- gas
- oil
- pulsation water
- steam
- water



## MATERIALS

---

|           |                       |         |                 |
|-----------|-----------------------|---------|-----------------|
| body      | <b>bronze</b>         | bonnet  | <b>bronze</b>   |
| disc      | <b>brass, bronze</b>  | stem    | <b>brass</b>    |
| handwheel | <b>grey cast iron</b> | packing | <b>graphite</b> |
| gasket    | <b>non-asbestos</b>   |         |                 |

---

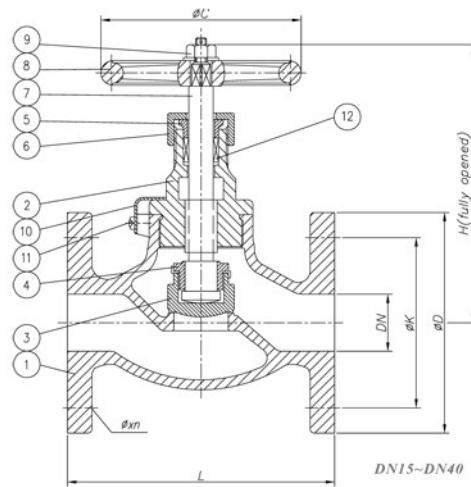
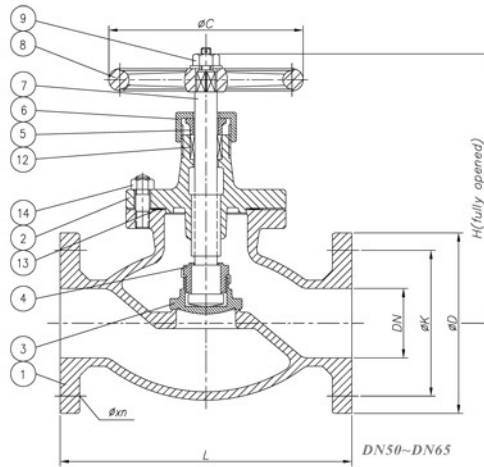
## FEATURES

- 
- Available in STOP (JIS F7301) and Screw Down Non Return (SDNR, JIS F7351) configurations
  - Graphite packing
  - Non-asbestos gasket
  - Position indicator fitted to bonnet
  - Bronze Rg5 body and bonnet construction

JIS VALVE

# JIS 5K Straight Globe Valve

SECTION Technical drawing REF EFC-132



JIS VALVE

# JIS 5K Straight Globe Valve

SECTION Dimensions per size REF EFC-132

| SIZE | L   | H   | C   | D   | K   | WEIGHT  |
|------|-----|-----|-----|-----|-----|---------|
| DN15 | 100 | 130 | 80  | 80  | 60  | 2.02 kg |
| DN20 | 110 | 140 | 100 | 85  | 65  | 2.86 kg |
| DN25 | 120 | 160 | 125 | 95  | 75  | 3.54 kg |
| DN32 | 140 | 170 | 125 | 115 | 90  | 5 kg    |
| DN40 | 160 | 190 | 140 | 120 | 95  | 6.48 kg |
| DN50 | 210 | 235 | 140 | 130 | 105 | 11.7 kg |
| DN65 | 250 | 260 | 160 | 155 | 130 | 17 kg   |

All dimensions in millimetres unless stated otherwise. Values are nominal; tolerances confirmed at quote.