

JIS VALVE

JIS 10K Cast Steel Gate Valve

REF **EFC-131** ISSUED **05 Jun 2026**

SPECIFICATIONS

Size	DN50–DN500
Pressure	10K
End connection	flanged (JIS B2220)
Media	water, air, gas, oil

ACTUATION

- manual handwheel — GG25 handwheel

STANDARDS

Design	JIS F7360, JIS F7366
Test	JIS F7400

APPLICATIONS

- water
- air
- gas
- oil



MATERIALS

body	carbon steel	seat	stainless steel, copper alloy
wedge	carbon steel	gasket	non-asbestos fibre
bonnet	carbon steel	stem	stainless steel, copper alloy
packing	graphite	handwheel	grey cast iron

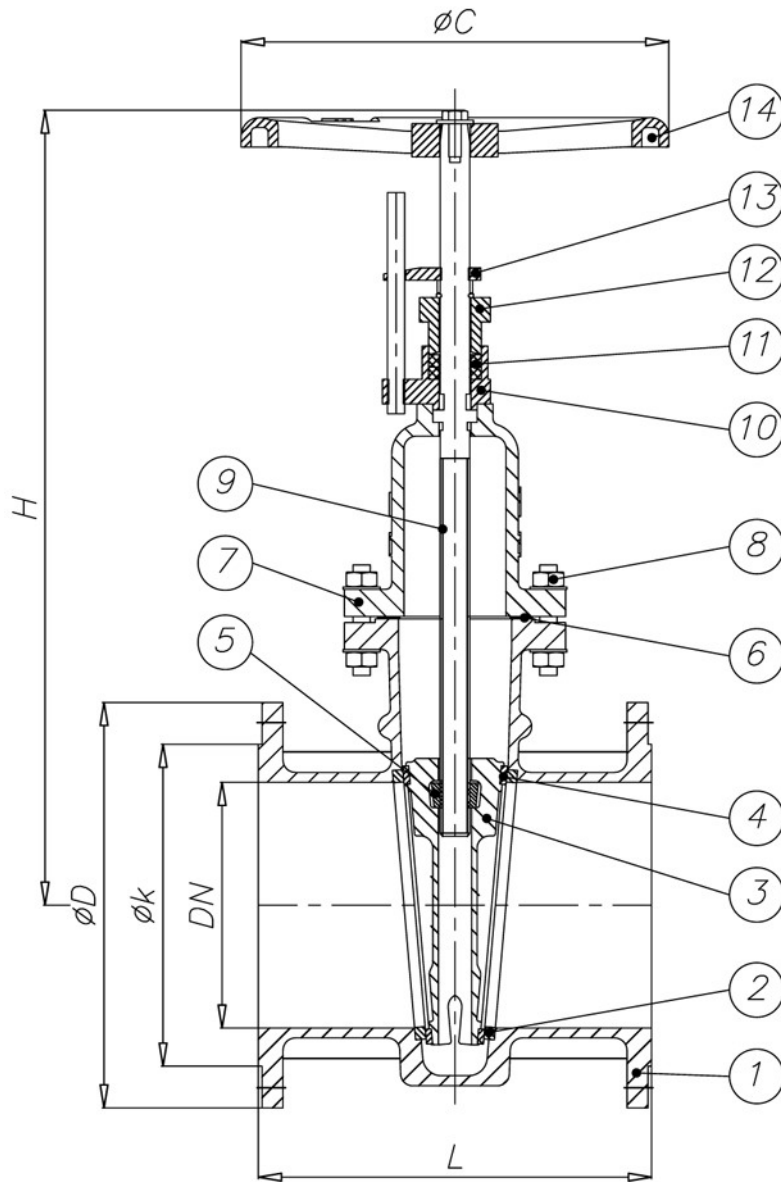
FEATURES

- Rising stem design with stuffing box packing
- Wedge gate with separate wedge ring
- Graphite stem packing
- Non-asbestos bonnet gasket
- Position indicator
- JIS flanged ends to JIS B2220-10K

JIS VALVE

JIS 10K Cast Steel Gate Valve

SECTION Technical drawing REF EFC-131



JIS VALVE

JIS 10K Cast Steel Gate Valve

SECTION Dimensions per size REF EFC-131

SIZE	L	H	C	D	K	ØXN
DN50	200	235	160	155	120	Ø19x4
DN65	220	260	160	175	140	Ø19x4
DN80	230	290	200	185	150	Ø19x8
DN100	250	310	220	210	175	Ø19x8
DN125	270	435	250	250	210	Ø23x8
DN150	290	455	250	280	240	Ø23x8
DN200	310	580	300	330	290	Ø23x12
DN250	340	720	400	400	355	Ø25x12
DN300	380	815	400	445	400	Ø25x16
DN350	420	925	520	490	445	Ø25x16
DN400	480	1030	520	560	510	Ø27x16
DN450	450	1075	520	620	565	Ø27x20
DN500	500	1265	600	675	620	Ø27x20

All dimensions in millimetres unless stated otherwise. Values are nominal; tolerances confirmed at quote.