

JIS VALVE

JIS 16K Cast Iron Gate Valve

REF **EFC-130** ISSUED 05 Jun 2026

SPECIFICATIONS

Size	DN300–DN400
Pressure	16K
End connection	flanged (JIS B2240)
Media	water, air, gas, oil

ACTUATION

- manual handwheel — GG25 handwheel

STANDARDS

Design	JIS F7369
Test	JIS F7400

APPLICATIONS

- water
- air
- gas
- oil

MATERIALS

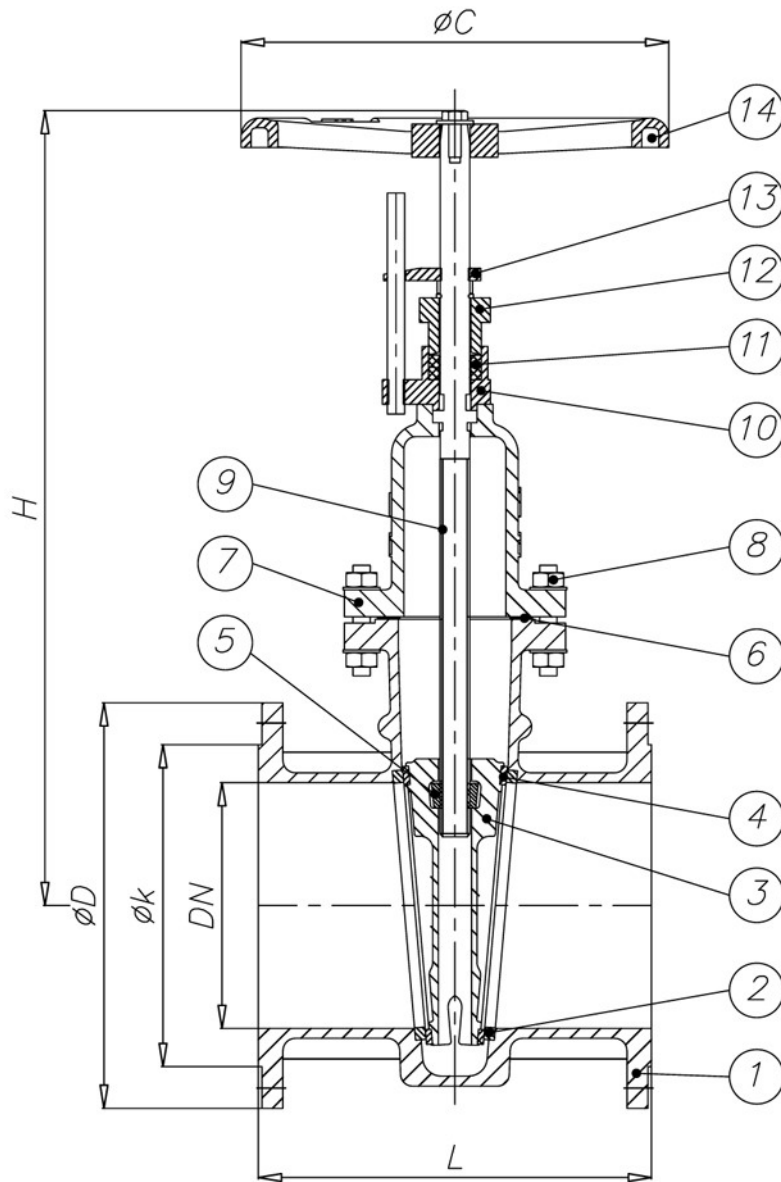
body	grey cast iron, ductile cast iron	seat	stainless steel, bronze
wedge	grey cast iron, ductile cast iron	gasket	non-asbestos fibre
bonnet	grey cast iron, ductile cast iron	stem	stainless steel, brass
packing	graphite	handwheel	grey cast iron



JIS VALVE

JIS 16K Cast Iron Gate Valve

SECTION Technical drawing REF EFC-130



JIS VALVE

JIS 16K Cast Iron Gate Valve

SECTION Dimensions per size REF EFC-130

SIZE	L	H	C	D	K
DN300	490	815	400	480	430
DN350	540	925	520	540	480
DN400	610	1030	520	605	540

All dimensions in millimetres unless stated otherwise. Values are nominal; tolerances confirmed at quote.