

JIS VALVE

# JIS 10K Cast Iron Gate Valve

REF **EFC-129** ISSUED 05 Jun 2026

## SPECIFICATIONS

Size	<b>DN50–DN600</b>
Pressure	<b>10K</b>
End connection	<b>flanged (JIS B2240)</b>
Media	<b>water, air, gas, oil</b>

## ACTUATION

- manual handwheel — GG25 cast iron handwheel

## STANDARDS

Design	<b>JIS F7364</b>
Test	<b>JIS F7400</b>

## APPLICATIONS

- water
- air
- gas
- oil

## MATERIALS

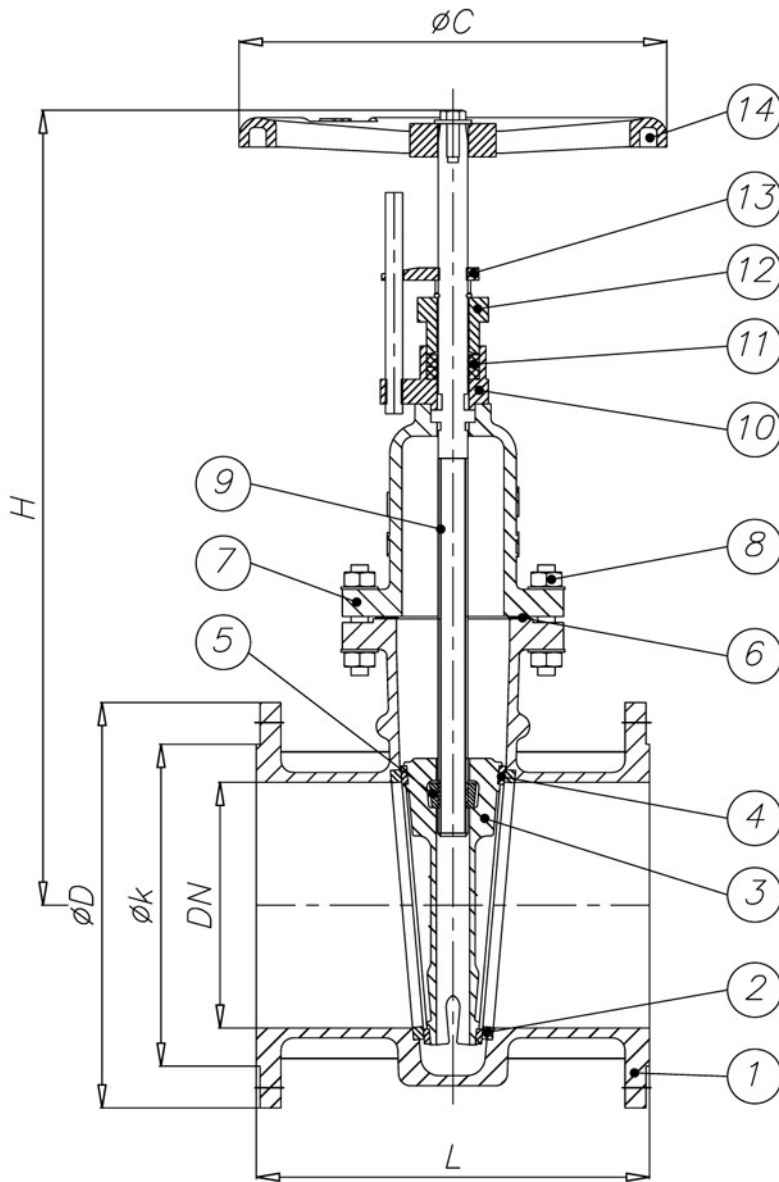
body	<b>cast iron, ductile iron</b>	seat	<b>stainless steel, bronze</b>
wedge	<b>cast iron, ductile iron</b>	gasket	<b>non-asbestos</b>
bonnet	<b>cast iron, ductile iron</b>	stem	<b>stainless steel, brass</b>
packing	<b>graphite</b>	handwheel	<b>cast iron</b>



JIS VALVE

# JIS 10K Cast Iron Gate Valve

SECTION Technical drawing REF EFC-129



JIS VALVE

# JIS 10K Cast Iron Gate Valve

SECTION Dimensions per size REF EFC-129

SIZE	L	H	C	D	K
DN50	180	235	160	155	120
DN65	190	260	160	175	140
DN80	200	290	200	185	150
DN100	230	310	220	210	175
DN125	250	435	250	250	210
DN150	270	455	250	280	240
DN200	290	580	300	330	290
DN250	330	720	400	400	355
DN300	370	815	400	445	400
DN350	410	925	520	490	445
DN400	470	1030	520	560	510
DN450	500	1075	520	620	565
DN500	550	1265	600	675	620
DN600	660	1300	600	795	730

All dimensions in millimetres unless stated otherwise. Values are nominal; tolerances confirmed at quote.