

JIS VALVE

JIS 5K Cast Iron Gate Valve

REF **EFC-128** ISSUED 05 Jun 2026

SPECIFICATIONS

Size	DN50–DN600
Pressure	5K
End connection	flanged (JIS B2240)
Media	water, air, gas, oil

ACTUATION

- manual handwheel — GG25 handwheel

STANDARDS

Design	JIS F7363
Test	JIS F7400

APPLICATIONS

- water
- air
- gas
- oil

MATERIALS

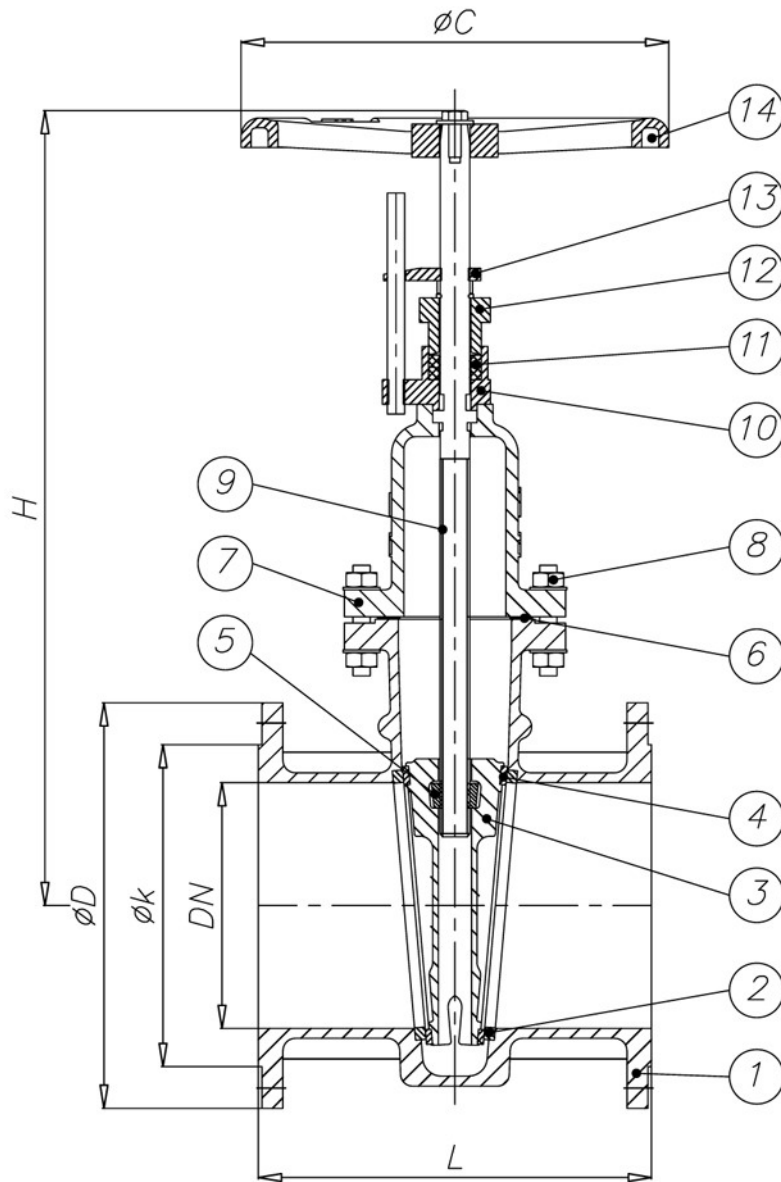
body	grey cast iron, ductile cast iron	seat	stainless steel, bronze
wedge	grey cast iron, ductile cast iron	gasket	non-asbestos
bonnet	grey cast iron, ductile cast iron	stem	stainless steel, brass
packing	graphite	handwheel	grey cast iron



JIS VALVE

JIS 5K Cast Iron Gate Valve

SECTION Technical drawing REF EFC-128



JIS VALVE

JIS 5K Cast Iron Gate Valve

SECTION Dimensions per size REF EFC-128

SIZE	L	H	C	D	K
DN50	180	235	160	130	105
DN65	190	260	160	155	130
DN80	200	290	200	180	145
DN100	230	310	220	200	165
DN125	250	435	250	235	200
DN150	270	455	250	265	230
DN200	290	580	300	320	280
DN250	330	720	400	385	345
DN300	370	815	400	430	390
DN350	410	925	520	480	435
DN400	470	1030	520	540	495
DN450	500	1075	520	605	555
DN500	550	1265	600	655	605
DN600	660	1300	600	770	715

All dimensions in millimetres unless stated otherwise. Values are nominal; tolerances confirmed at quote.