

JIS VALVE

# JIS Double Flanged Butterfly Valve

REF **EFC-127** ISSUED 05 Jun 2026

## SPECIFICATIONS

Size	<b>DN100–DN600</b>
Pressure	<b>5K–10K</b>
End connection	<b>flanged (JIS B2210) / flanged (JIS B2210)</b>
Temperature	<b>-10°C to 80°C</b>
Media	<b>sea water, cold water, warm water</b>

## ACTUATION

- gearbox — Assembly — ISO 5211

## STANDARDS

Design	<b>JIS F7480 Series 122</b>
Test	<b>JIS F7400</b>

## APPLICATIONS

- sea water
- cold water
- warm water



**MATERIALS**

---

body	<b>ductile iron</b>	bushing	<b>copper alloy</b>
disc	<b>aluminium bronze</b>	seat	<b>elastomer</b>
stem	<b>stainless steel</b>	o ring	<b>elastomer</b>

---

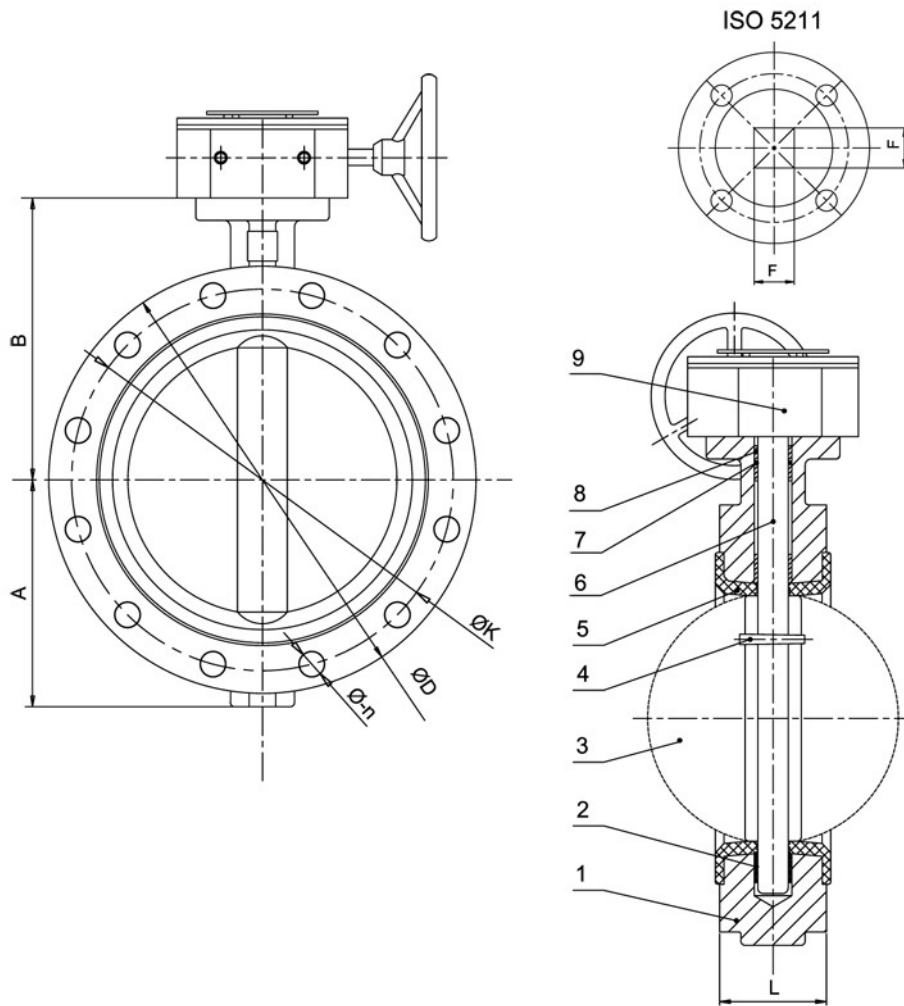
**FEATURES**

- 
- Double flanged body with JIS B2210 flange ends
  - ISO 5211 actuator mounting pad
  - Aluminium bronze disc for corrosion resistance in marine service
  - Super duplex (2507) pin material
  - NBR seat and O-ring

JIS VALVE

# JIS Double Flanged Butterfly Valve

SECTION Technical drawing REF EFC-127



JIS VALVE

# JIS Double Flanged Butterfly Valve

SECTION Dimensions per size REF EFC-127

SIZE	L	A	B	F
DN100	60	124	150	11
DN125	100	144	171	14
DN150	100	154	184	14
DN200	100	187	214	17
DN250	110	217	265	22
DN300	110	243	288	22
DN350	120	268	322	22
DN400	130	301	370	27
DN450	150	330	393	36
DN500	160	358	432	36
DN600	170	419	501	46

All dimensions in millimetres unless stated otherwise. Values are nominal; tolerances confirmed at quote.