

STRAINER

# Foot Valves Without Spring

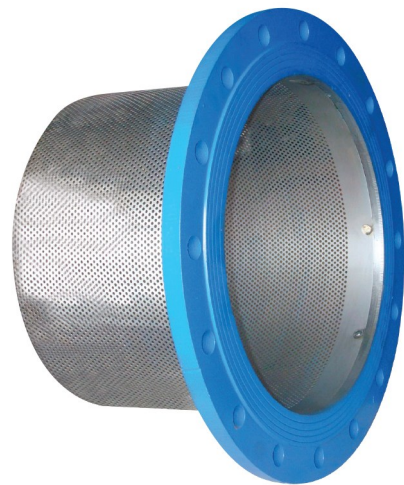
MODEL VDKF-10-16 REF EFC-124 ISSUED 05 Jun 2026

## SPECIFICATIONS

Size	DN50–DN600
Pressure	PN10–PN16
End connection	flanged (EN 1092-2/B)
Media	water

## STANDARDS

Design	DIN 3259
Test	EN 12266



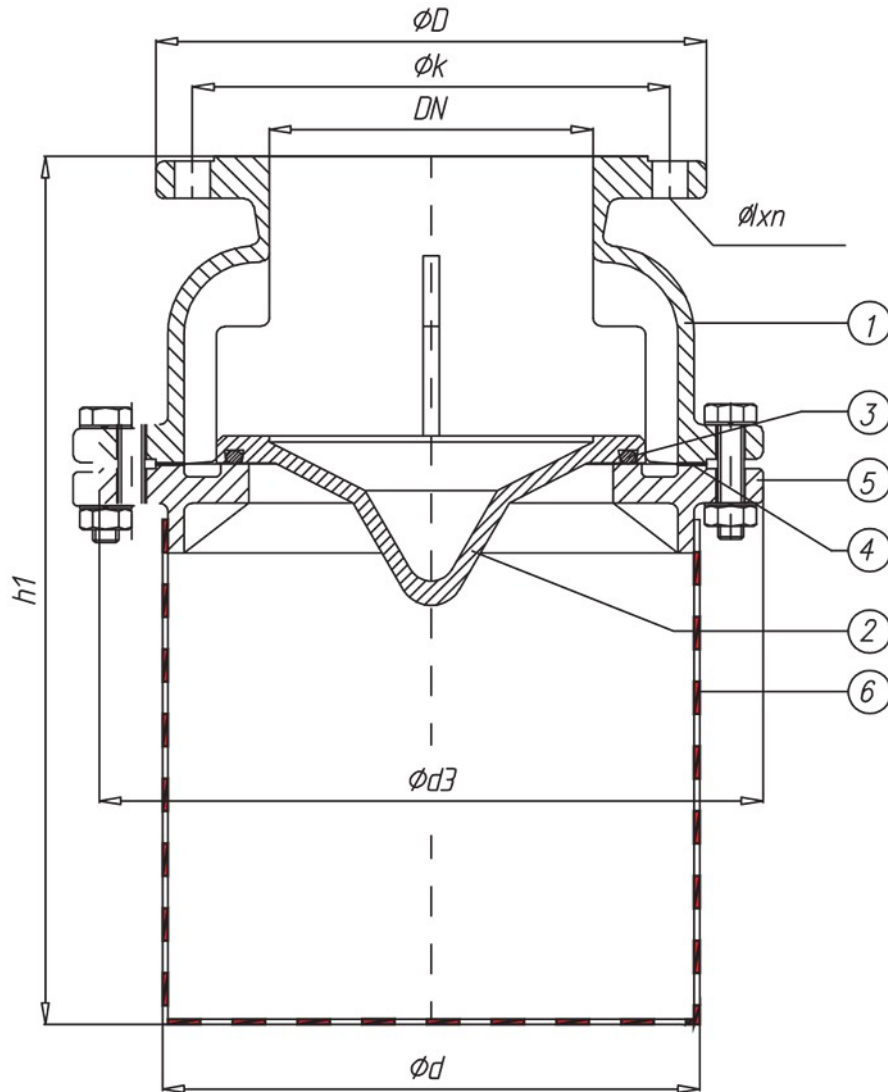
## MATERIALS

body	grey cast iron, ductile iron, cast steel	disc	grey cast iron, ductile iron, cast steel, bronze, stainless steel
o ring	nitrile rubber, EPDM rubber	gasket	nitrile rubber, EPDM rubber

STRAINER

# Foot Valves Without Spring

SECTION Technical drawing REF EFC-124



STRAINER

# Foot Valves Without Spring

SECTION Dimensions per size REF EFC-124

SIZE	OD3	OD	H1	D_PN10	K_PN10	OXN_PN10	D_PN16	K_PN16	OXN_PN16	WEIGHT
DN50	180	77	175	165	125	Ø18x8	165	125	Ø18x4	7 kg
DN65	190	92	215	185	145	Ø18x8	185	145	Ø18x8	9 kg
DN80	210	127	265	200	160	Ø18x8	200	160	Ø18x8	12 kg
DN100	240	142	315	220	180	Ø18x8	220	180	Ø18x8	19 kg
DN125	280	188	335	250	210	Ø18x8	250	210	Ø18x8	23 kg
DN150	335	217	410	285	240	Ø22x8	285	240	Ø22x8	40 kg
DN200	365	282	470	340	295	Ø22x8	340	295	Ø22x12	65 kg
DN250	405	325	500	395	350	Ø22x12	395	350	Ø26x12	95 kg
DN300	505	420	600	445	400	Ø22x16	445	400	Ø26x16	170 kg
DN350	555	470	750	505	460	Ø26x16	505	460	Ø30x16	230 kg
DN400	675	520	800	565	515	Ø26x16	565	515	Ø30x16	300 kg
DN500	775	620	950	670	620	Ø26x20	715	650	Ø33x20	450 kg
DN600	875	520	1250	780	725	Ø30x20	840	770	Ø36x20	655 kg

All dimensions in millimetres unless stated otherwise. Values are nominal; tolerances confirmed at quote.