

STRAINER

T Type Strainer

MODEL VTPT-16 REF EFC-122 ISSUED 05 Jun 2026

SPECIFICATIONS

Size	DN15–DN600
Pressure	PN6–PN16
End connection	flanged (EN 1092-2/B)
Face-to-face	EN 558 Serie 1, DIN 3202 F1

STANDARDS

Design	TS 11494
Test	EN 12266



MATERIALS

body	cast/ductile iron	gasket	compressed fibre
bonnet	cast/ductile iron		

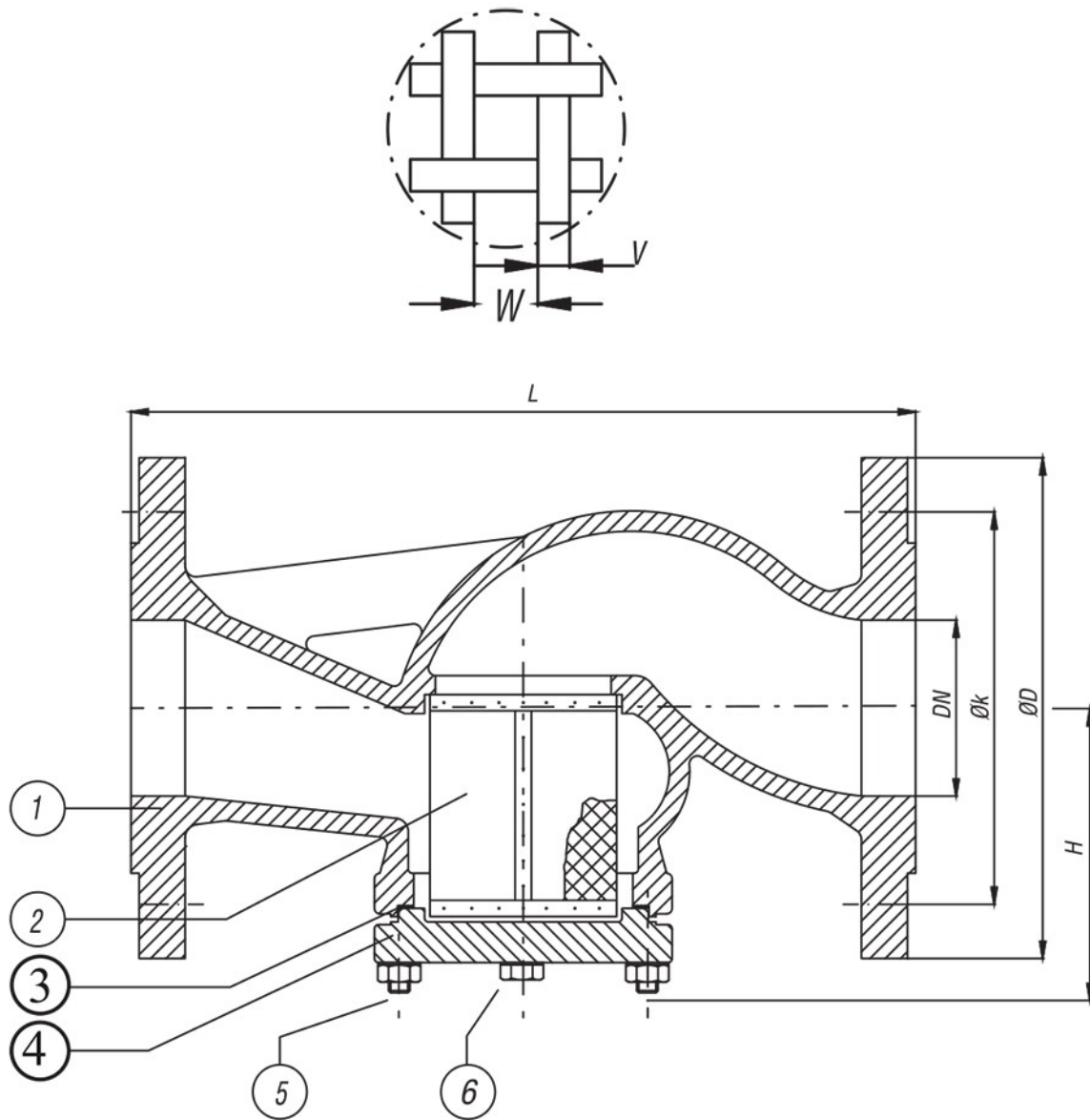
FEATURES

- T-type body configuration for pipeline straining
- Removable bonnet for filter element access and cleaning
- Drain plug provided on body
- Filter element in AISI 304 stainless steel
- Available in cast iron (GG 25) and ductile iron (GGG-40/50) body options
- Production available up to DN600

STRAINER

T Type Strainer

SECTION Technical drawing REF EFC-122



STRAINER

T Type Strainer

SECTION Dimensions per size REF EFC-122

SIZE	L	H_MIN	H_MAX	BA	S	WEIGHT
DN15	130	75	115	52	25	1.97 kg
DN20	150	75	125	62	25	2.98 kg
DN25	160	85	150	72	29	3.7 kg
DN32	180	90	160	77	38	5.6 kg
DN40	200	95	170	97	50	7.6 kg
DN50	230	100	185	112	60	9.8 kg
DN65	290	135	250	168	65	15.7 kg
DN80	310	145	280	188	85	24.9 kg
DN100	350	170	330	218	105	34 kg
DN125	400	205	385	243	130	43 kg
DN150	480	225	400	281	160	54 kg
DN200	600	270	500	317	210	118 kg
DN250	730	290	580	485	260	177 kg
DN300	850	360	700	520	310	275 kg

All dimensions in millimetres unless stated otherwise. Values are nominal; tolerances confirmed at quote.