

STRAINER

# Stainless Steel Strainer

MODEL VSSYPT-40 REF EFC-121 ISSUED 05 Jun 2026

## SPECIFICATIONS

Size	DN15–DN50
Pressure	PN40
End connection	threaded
Temperature	-10°C to 120°C

## STANDARDS

Test	EN 12266, API 598
------	-------------------



**MATERIALS**

body	stainless steel	bonnet	stainless steel
gasket	PTFE		

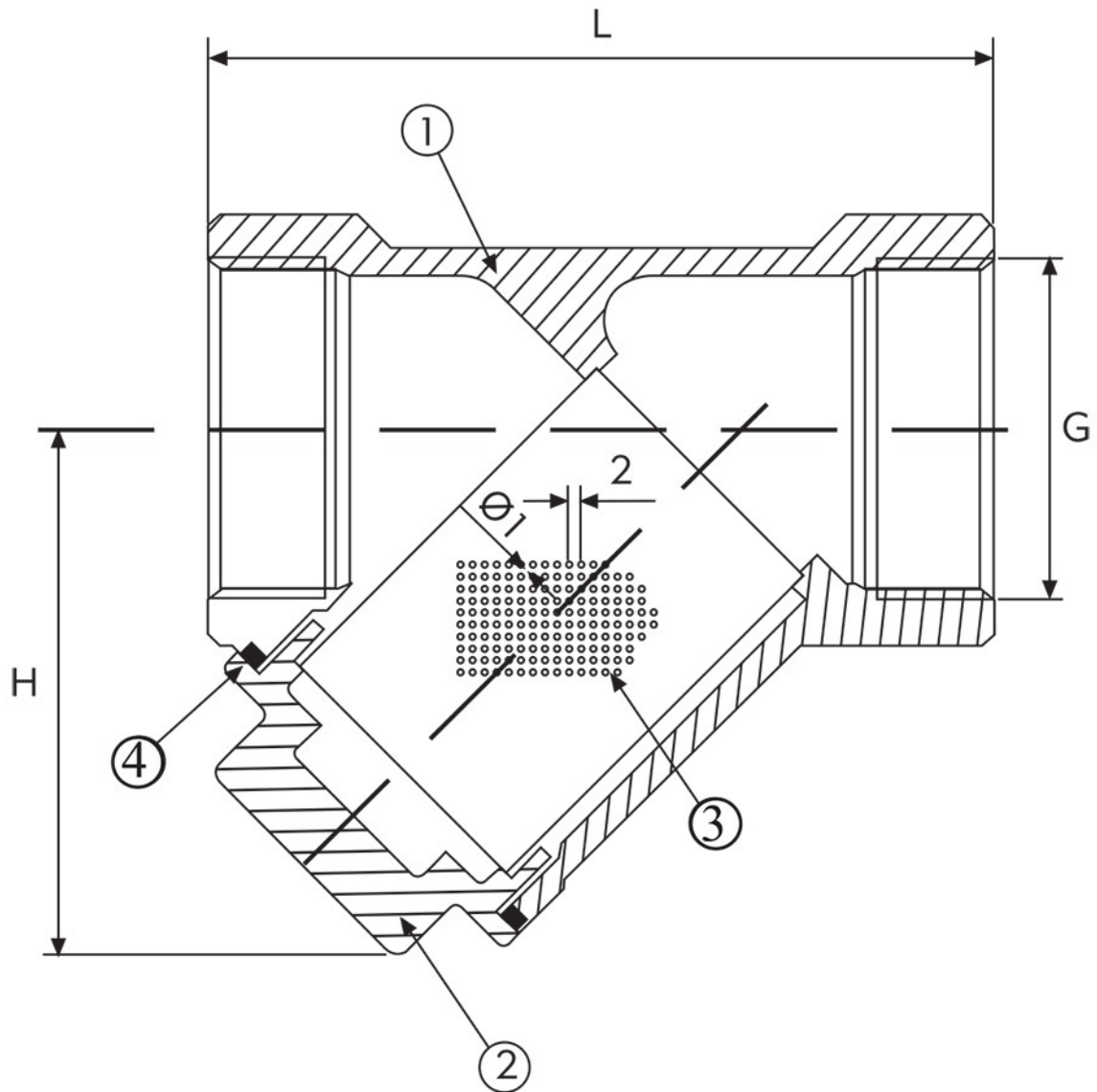
**PRESSURE-TEMPERATURE RATING**

CLASS	TEMPERATURE	MAX PRESSURE
PN16	-10°C	16 bar
PN16	120°C	16 bar

STRAINER

# Stainless Steel Strainer

SECTION Technical drawing REF EFC-121



STRAINER

# Stainless Steel Strainer

SECTION Dimensions per size REF EFC-121

SIZE	G	L	K	WEIGHT
DN15	1/2" inch	65	51	0.23 kg
DN20	3/4" inch	80	60	0.36 kg
DN25	1" inch	90	72	0.69 kg
DN32	1-1/4" inch	105	77	0.78 kg
DN40	1-1/2" inch	120	87	1.22 kg
DN50	2" inch	140	103	1.79 kg

All dimensions in millimetres unless stated otherwise. Values are nominal; tolerances confirmed at quote.