

STRAINER

Y Type Strainer

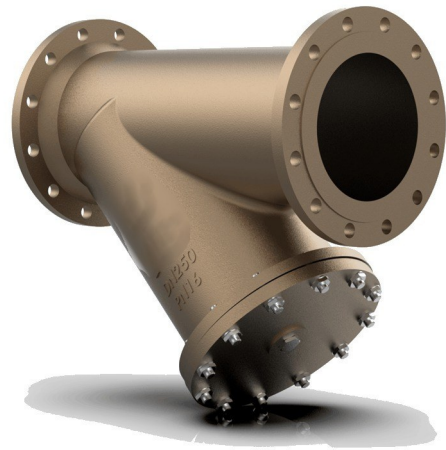
REF **EFC-120** ISSUED **05 Jun 2026**

SPECIFICATIONS

Size	DN15–DN600
Pressure	PN10–PN40
End connection	flanged (EN 1092-2/B)
Face-to-face	EN 558 Serie 1, DIN 3202 F1

STANDARDS

Design	TS 11494
Test	EN 12266



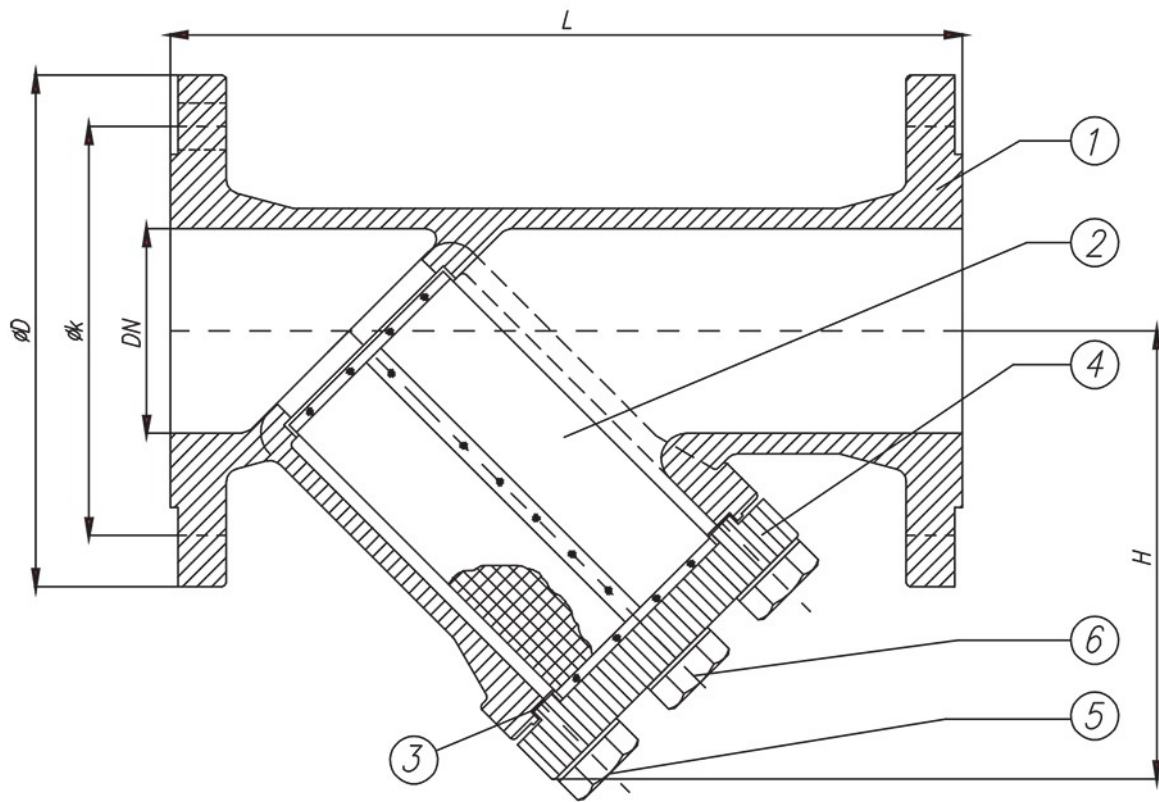
MATERIALS

body	grey cast iron, ductile cast iron, cast steel	gasket	compressed fibre
bonnet	grey cast iron, ductile cast iron, cast steel		

STRAINER

Y Type Strainer

SECTION Technical drawing REF EFC-120



STRAINER

Y Type Strainer

SECTION Dimensions per size REF EFC-120

SIZE	L	H_MIN	H_MAX	WEIGHT
DN15	130	60	100	1.97 kg
DN20	150	70	120	2.98 kg
DN25	160	80	140	3.7 kg
DN32	180	85	150	5.6 kg
DN40	200	120	190	7.6 kg
DN50	230	135	220	9.8 kg
DN65	290	185	310	15.7 kg
DN80	310	205	340	24.9 kg
DN100	350	245	410	34 kg
DN125	400	290	470	43 kg
DN150	480	330	530	54 kg
DN200	600	390	620	118 kg
DN250	730	530	850	177 kg
DN300	850	560	1050	275 kg
DN350	980	620	1100	310 kg

Y Type Strainer

Dimensions per size (continued) · EFC-120

SIZE	L	H_MIN	H_MAX	WEIGHT
DN400	1100	710	1210	418 kg
DN450	1200	800	1400	495 kg
DN500	1250	985	1700	1100 kg
DN600	1450	1100	1900	1300 kg

All dimensions in millimetres unless stated otherwise. Values are nominal; tolerances confirmed at quote.