

STRAINER

SS Y-Type Strainer - BSP

MODEL VSSYPT-800 REF EFC-118 ISSUED 05 Jun 2026

SPECIFICATIONS

Size	DN8-DN100
Pressure	55 bar
End connection	threaded (BSP)
Temperature	-20°C to 180°C
Media	water, oil, gas



MATERIALS

body	stainless steel	gasket	PTFE
------	------------------------	--------	-------------

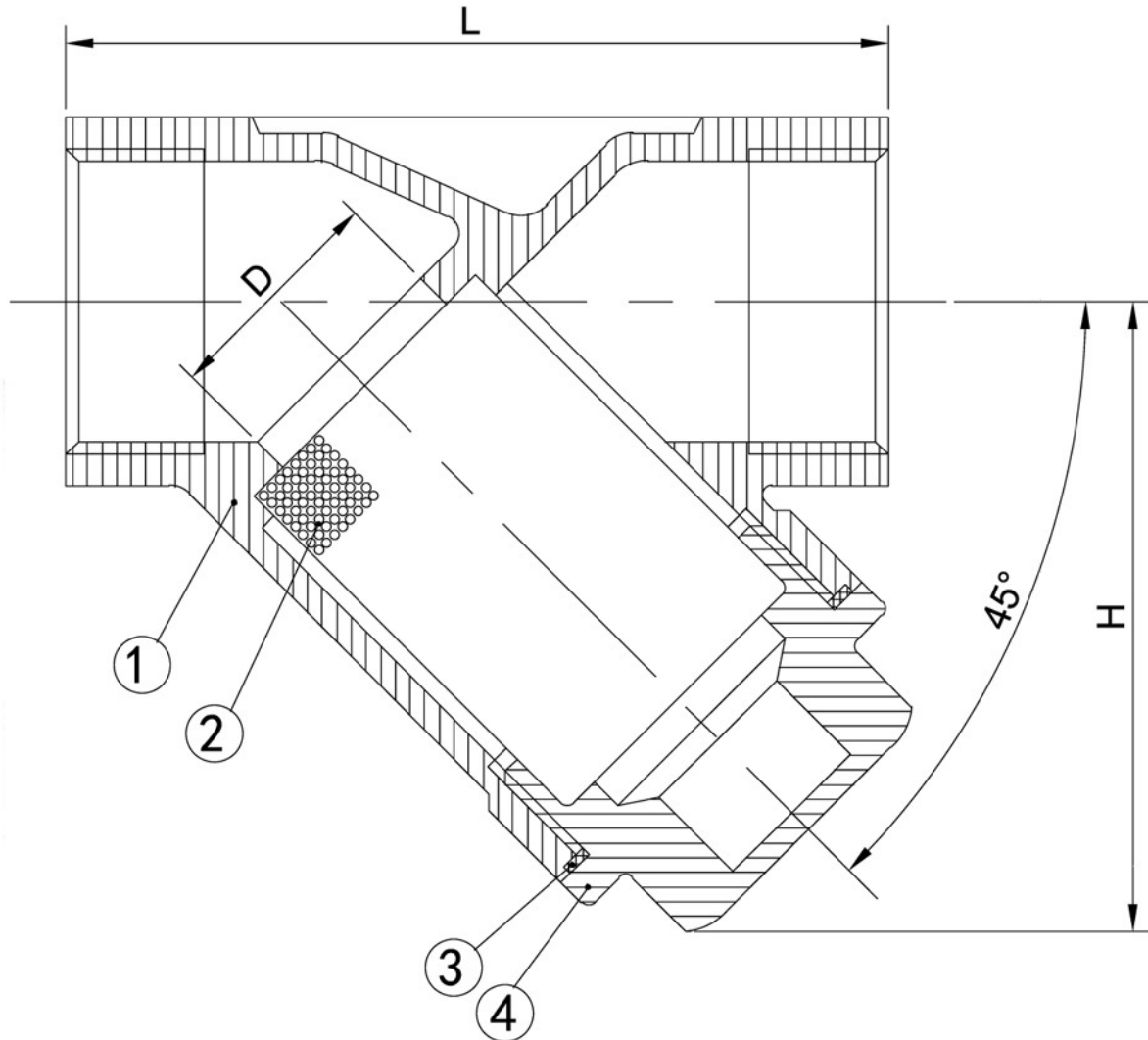
FEATURES

- Y-type body configuration with 45° screen angle
- Removable cap for screen cleaning and maintenance
- BSP threaded end connections

STRAINER

SS Y-Type Strainer - BSP

SECTION Technical drawing REF EFC-118



STRAINER

SS Y-Type Strainer - BSP

SECTION Dimensions per size REF EFC-118

SIZE	L	D	H	RC
DN8	54	8	35	1/4" inch
DN10	54	10	35	3/8" inch
DN15	59	15	45	1/2" inch
DN20	73	20	60	3/4" inch
DN25	84	25	63	1" inch
DN32	97	32	80	1-1/4" inch
DN40	106	40	88	1-1/2" inch
DN50	127	50	109	2" inch
DN65	165	65	138	2-1/2" inch
DN80	188	80	153	3" inch
DN100	232	100	193	4" inch

All dimensions in millimetres unless stated otherwise. Values are nominal; tolerances confirmed at quote.