

BALL VALVE

# Ball Valve

MODEL **VKVP-16** REF **EFC-117** ISSUED **05 Jun 2026**

## SPECIFICATIONS

Size	<b>DN15–DN250</b>
Pressure	<b>PN10–PN40</b>
End connection	<b>flanged (EN 1092-1)</b>
Face-to-face	<b>EN 558 Serie 14, DIN 3202-F4, EN 558 Serie 15, DIN 3202-F5</b>

## ACTUATION

- manual lever — SS 201 + PVC lever — ISO 5211
- pneumatic actuator — as shown in product image — ISO 5211
- electric actuator — as shown in product image — ISO 5211
- handwheel / gearbox — as shown in product image — ISO 5211

## STANDARDS

Design	<b>DIN 3357</b>
Test	<b>EN 12266</b>

## MATERIALS

body	<b>carbon steel, stainless steel</b>	bonnet	<b>carbon steel, stainless steel</b>
ball	<b>stainless steel</b>	stem	<b>stainless steel</b>
seat	<b>polymer</b>	gasket	<b>polymer</b>
o ring	<b>fluoroelastomer</b>	packing	<b>polymer</b>

## FEATURES

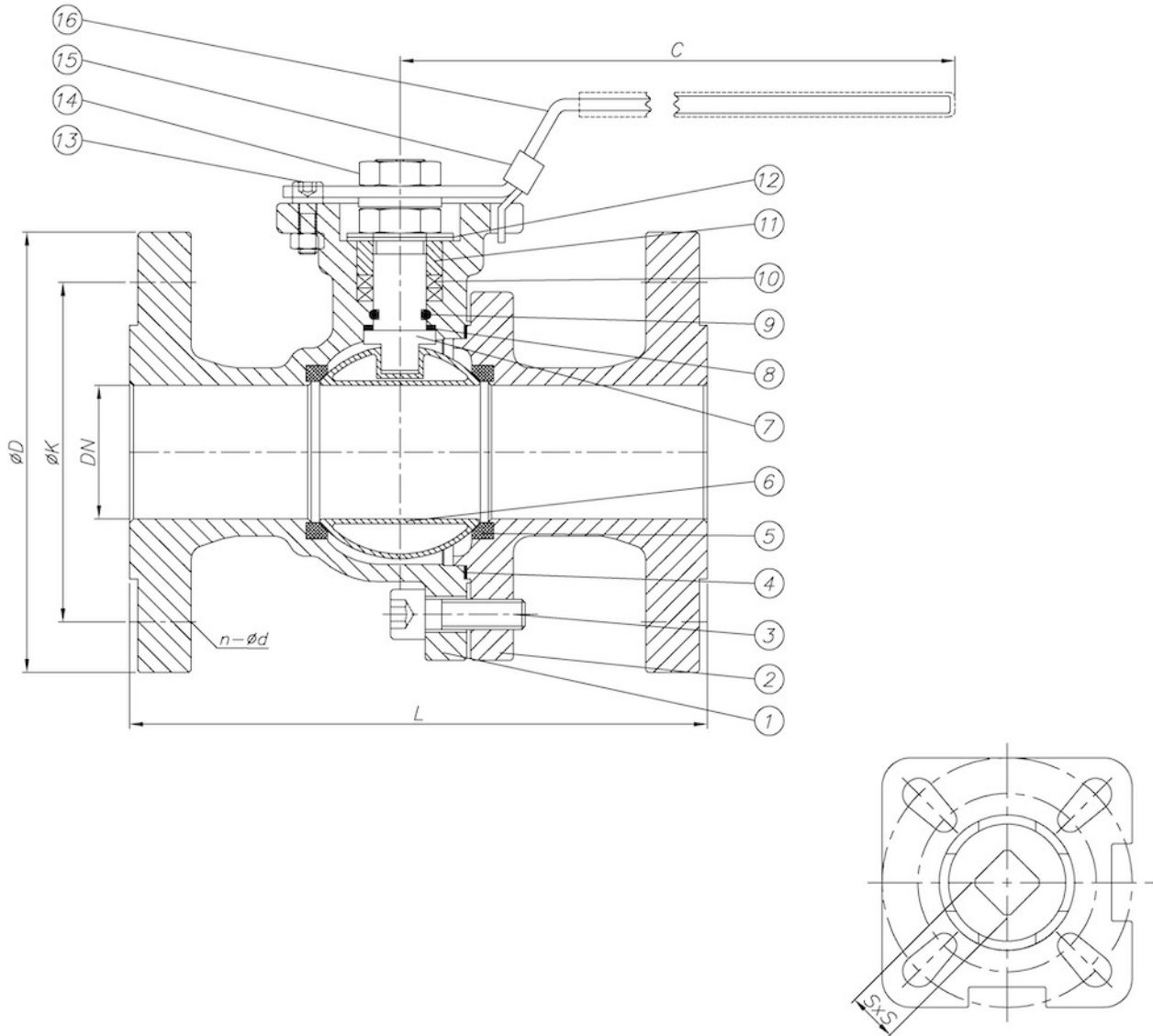
- Two-piece body construction
- Full bore design
- ISO 5211 top flange mounting pad for actuator fitment
- Available with SxS (socket x socket) connection on smaller sizes
- Dual ISO 5211 flange size options per nominal diameter



BALL VALVE

# Ball Valve

SECTION Technical drawing REF EFC-117



BALL VALVE

# Ball Valve

SECTION **Dimensions per size** REF **EFC-117**

SIZE	L	C	WEIGHT
DN15	115	130	2.4 kg
DN20	120	130	3.1 kg
DN25	125	130	3.9 kg
DN32	130	170	5.4 kg
DN40	140	170	6.3 kg
DN50	150	195	8.3 kg
DN65	170	195	11.7 kg
DN80	180	245	14.3 kg
DN100	190	275	17.1 kg
DN125	325	295	32.3 kg
DN150	350	530	42.3 kg
DN200	400	625	69.9 kg
DN250	450	—	157 kg

*All dimensions in millimetres unless stated otherwise. Values are nominal; tolerances confirmed at quote.*