

BALL VALVE

Stainless Steel Ball Valve Full Bore

MODEL VTKF-16-25-40 REF EFC-116 ISSUED 05 Jun 2026

SPECIFICATIONS

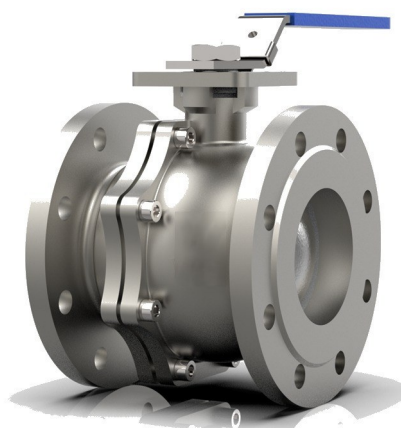
Size	DN15–DN150
Pressure	PN10–PN40
End connection	flanged (EN 1092) / flanged (EN 1092) / flanged (EN 1092)
Face-to-face	EN 558 Serie 1, DIN 3202 F1

ACTUATION

- manual lever — AISI 304 / AISI 316 lever

STANDARDS

Design	DIN 3357-2, TS 3148/17
Test	EN 12266, API 598



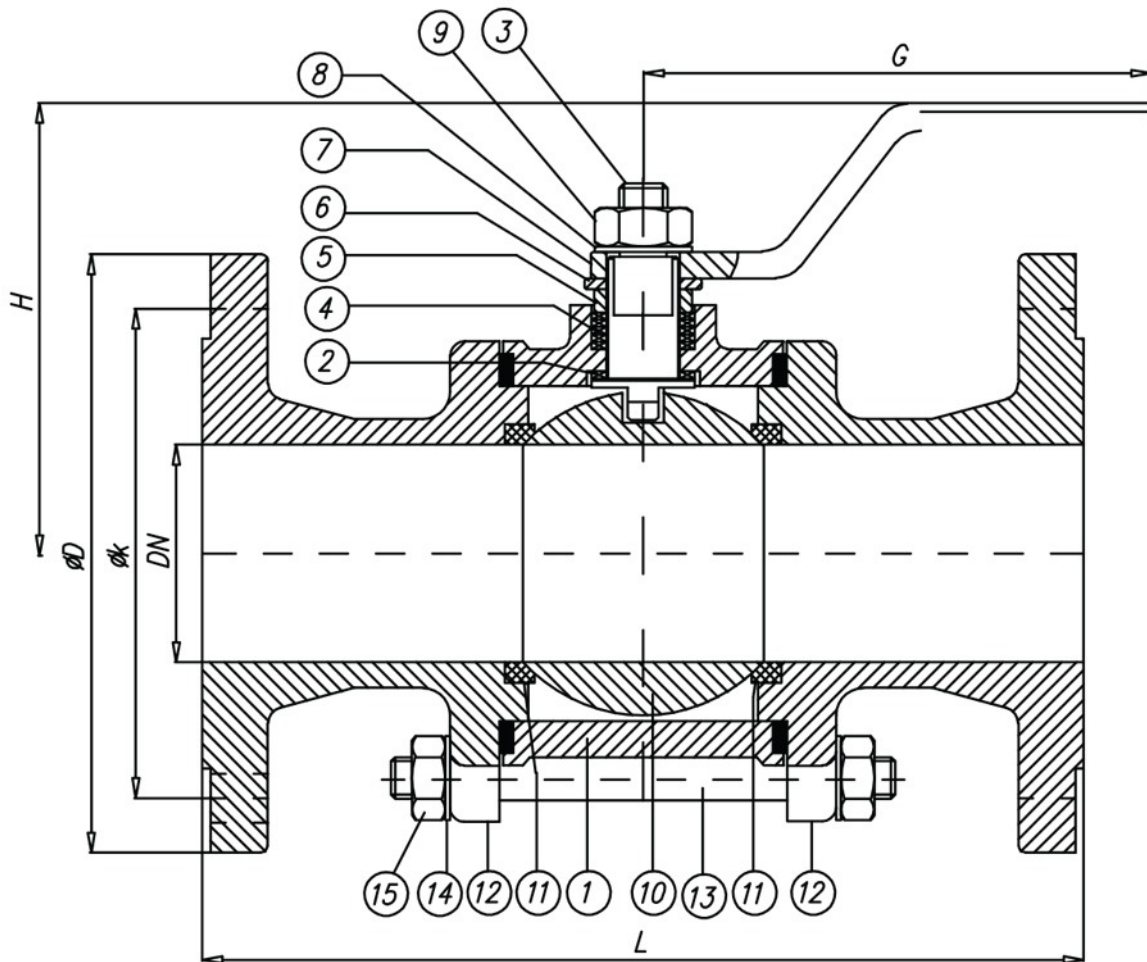
MATERIALS

body	stainless steel	gasket	PTFE
stem	stainless steel	bushing	stainless steel
ball	stainless steel	seat	PTFE

BALL VALVE

Stainless Steel Ball Valve Full Bore

SECTION Technical drawing REF EFC-116



BALL VALVE

Stainless Steel Ball Valve Full Bore

SECTION Dimensions per size REF EFC-116

SIZE	L	G_MAX	H_MAX	D_PN10_16	K_PN10_16	D_PN25	K_PN25	D_PN40	K_PN40	WEIGHT
DN15	130	160	90	95	65	95	65	95	65	2.3 kg
DN20	150	180	110	105	75	105	75	105	75	3.8 kg
DN25	160	180	115	115	85	115	85	115	85	4 kg
DN32	180	250	130	140	100	140	100	140	100	6.5 kg
DN40	200	300	135	150	110	150	110	150	110	8.55 kg
DN50	230	320	155	165	125	165	125	165	125	13.55 kg
DN65	290	350	195	185	145	185	145	185	145	20.15 kg
DN80	310	450	220	200	160	200	160	200	160	29.5 kg
DN100	350	500	265	220	180	235	190	235	190	40.3 kg
DN125	400	700	265	250	210	270	220	270	220	68 kg
DN150	480	700	300	285	240	300	250	300	250	86 kg

All dimensions in millimetres unless stated otherwise. Values are nominal; tolerances confirmed at quote.