

BALL VALVE

Ball Valves Reduced Bore

MODEL VKRF-16 REF EFC-115 ISSUED 05 Jun 2026

SPECIFICATIONS

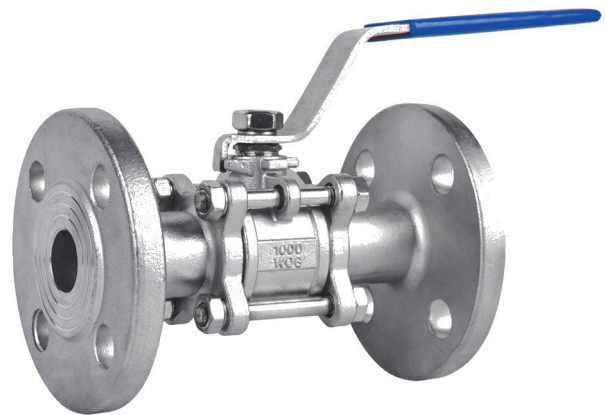
Size	DN20–DN250
Pressure	PN16
End connection	flanged (EN 1092)
Face-to-face	EN 558 Serie 1, DIN 3202 F1

ACTUATION

- manual lever — St 37 / AISI 1304 lever

STANDARDS

Design	DIN 3357, TS 3148/19
Test	EN 12266, API 598



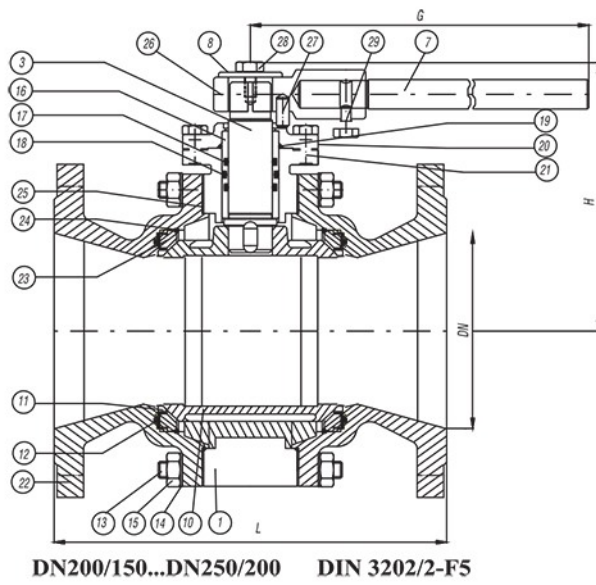
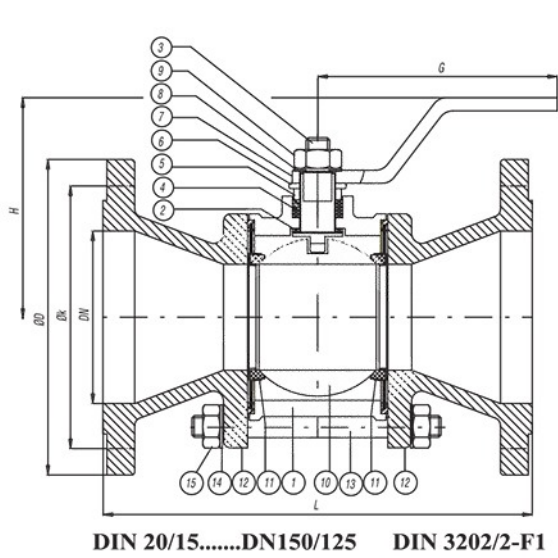
MATERIALS

body	cast iron / ductile iron	gasket	PTFE, compressed fibre
stem	stainless steel	ball	stainless steel
bushing	PTFE	o ring	EPDM elastomer
bonnet	cast iron / ductile iron		

BALL VALVE

Ball Valves Reduced Bore

SECTION Technical drawing REF EFC-115



BALL VALVE

Ball Valves Reduced Bore

SECTION Dimensions per size REF EFC-115

SIZE	L	G_MAX	H_MAX	D	K	WEIGHT
DN20	150	160	95	105	75	2.7 kg
DN25	160	180	110	115	85	3.5 kg
DN32	180	180	115	140	100	5.4 kg
DN40	200	250	130	150	110	6.8 kg
DN50	230	300	135	165	125	9.55 kg
DN65	290	320	145	185	145	15.15 kg
DN80	310	350	155	200	160	21.6 kg
DN100	350	450	195	220	180	30.2 kg
DN125	400	500	220	250	210	44.8 kg
DN150	450	700	265	285	240	72.2 kg
DN200	400	700	300	340	295	100 kg
DN250	450	1000	380	405	355	141 kg

All dimensions in millimetres unless stated otherwise. Values are nominal; tolerances confirmed at quote.