

BALL VALVE

2 Pcs Design Ball Valve Full Bore

MODEL VKV-16 REF EFC-113 ISSUED 05 Jun 2026

SPECIFICATIONS

Size	DN32–DN200
Pressure	PN16
End connection	flanged (DIN EN 1092-1)
Face-to-face	DIN EN 558-1-14

ACTUATION

- manual lever — Steel lever

STANDARDS

Design	DIN 3357
Test	API 598, DIN EN 12266

MATERIALS

body	cast iron	seat	PTFE
ball	stainless steel	stem	stainless steel
bonnet	cast iron		

FEATURES

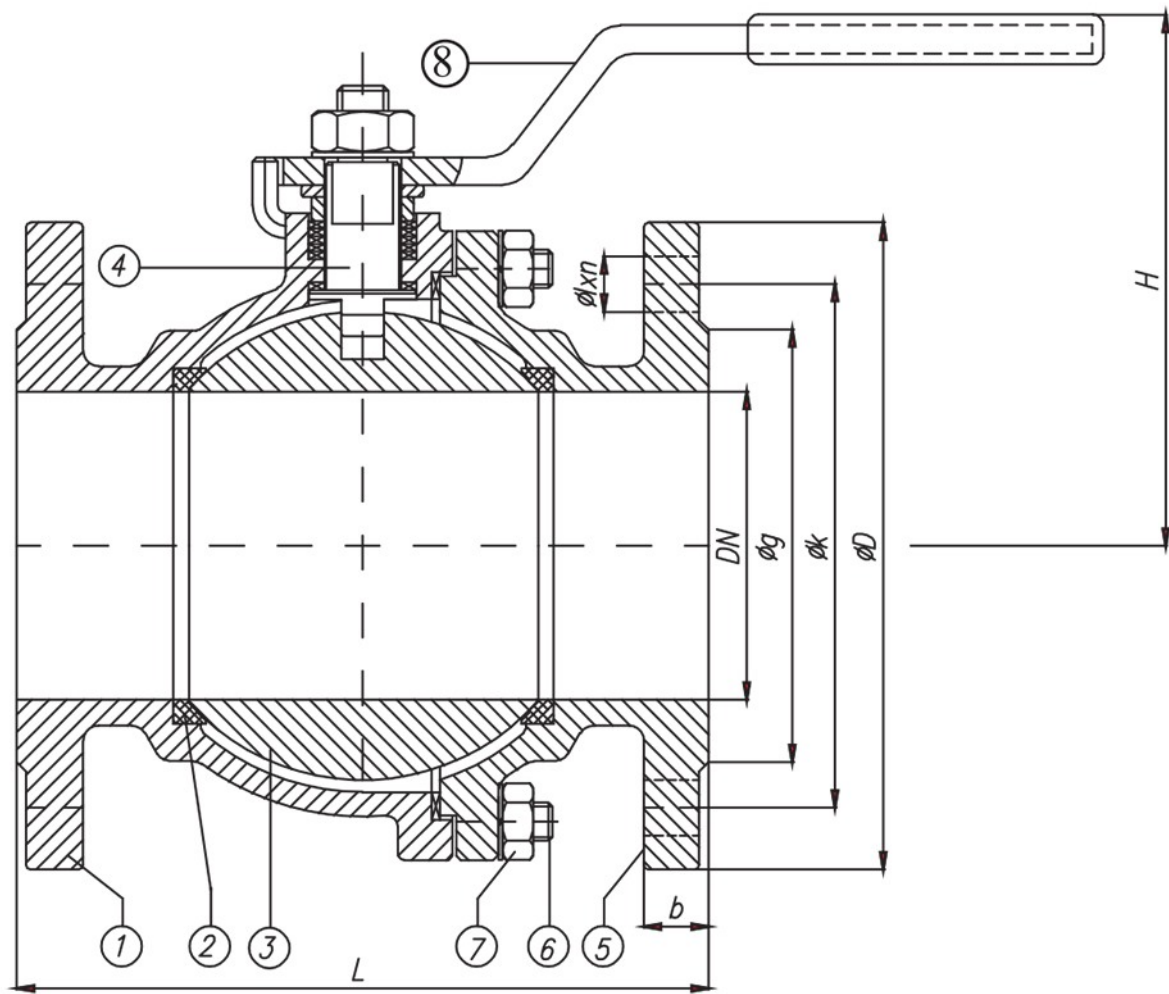
- Two-piece body construction
- Full bore design providing unrestricted flow
- PTFE body seats
- Stainless steel ball and stem
- Manual lever operation
- Flanged end connections to DIN EN 1092-1



BALL VALVE

2 Pcs Design Ball Valve Full Bore

SECTION Technical drawing REF EFC-113



BALL VALVE

2 Pcs Design Ball Valve Full Bore

SECTION Dimensions per size REF EFC-113

SIZE	L	H	OD	OK	OG	B	WEIGHT
DN32	130	110	140	100	78	18	9 kg
DN40	140	160	150	110	88	18	13 kg
DN50	150	160	165	125	102	18	19 kg
DN65	170	170	185	145	122	18	29 kg
DN80	180	210	200	160	138	20	40 kg
DN100	190	240	220	180	158	20	55 kg
DN125	200	280	250	210	188	22	80 kg
DN150	210	330	285	240	212	22	120 kg
DN200	230	400	340	295	268	24	175 kg

All dimensions in millimetres unless stated otherwise. Values are nominal; tolerances confirmed at quote.