

BALL VALVE

SS 3PC Ball Valve M3 - ISO 5211 - BSP

MODEL **VTDK-63** REF **EFC-112** ISSUED **05 Jun 2026**

SPECIFICATIONS

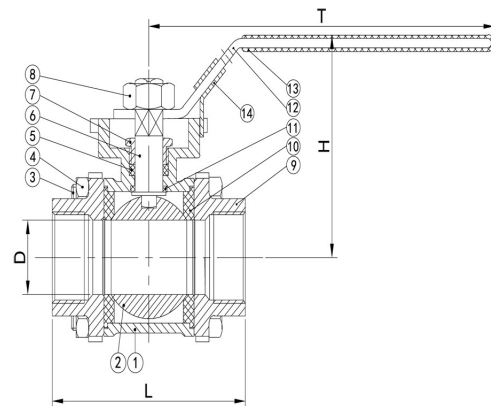
Size	DN8–DN100
Pressure	63 bar
End connection	threaded (BSP)
Temperature	-20°C to 180°C
Media	water, oil, gas

ACTUATION

- manual lever — SS201/SS304 lever with PVC cover and lock — ISO 5211

APPLICATIONS

- water
- oil and gas



MATERIALS

body	stainless steel	ball	stainless steel
packing	PTFE	stem	stainless steel
seat	PTFE		

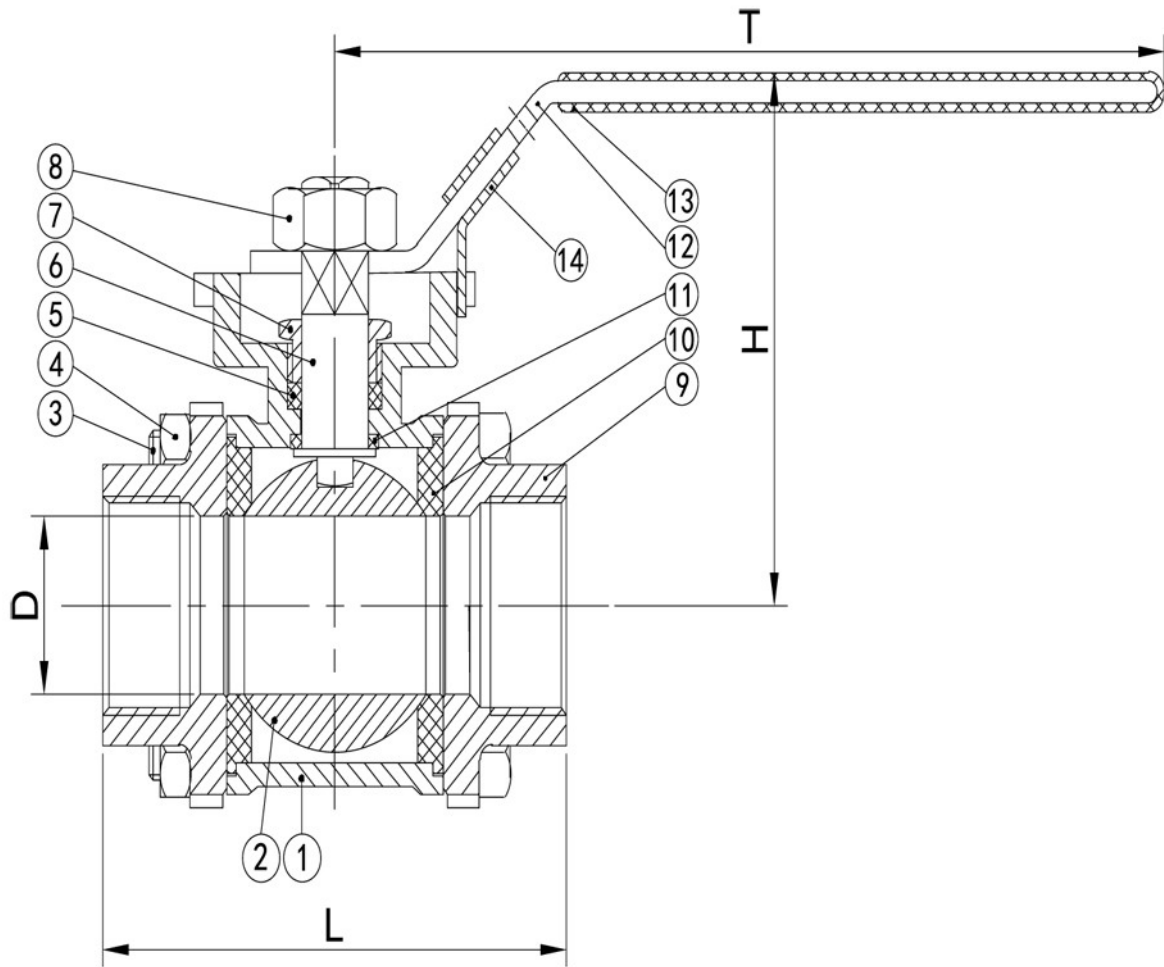
FEATURES

- 3-piece body construction
- BSP threaded end connections
- ISO 5211 direct mounting pad
- PTFE seats and packing
- Lever handle with PVC cover and lock device
- Available in SS304 and SS316 trim options

BALL VALVE

SS 3PC Ball Valve M3 - ISO 5211 - BSP

SECTION Technical drawing REF EFC-112



BALL VALVE

SS 3PC Ball Valve M3 - ISO 5211 - BSP

SECTION Dimensions per size REF EFC-112

SIZE	L	D	H	T
DN8	65	8	65	131
DN10	65	10	65	131
DN15	75	15	63	131
DN20	80	20	74	131
DN25	90	25	86	167
DN32	110	32	95	167
DN40	120	40	116	193
DN50	140	50	122	193
DN65	185	65	147	242
DN80	205	80	153	272
DN100	235	100	167	295

All dimensions in millimetres unless stated otherwise. Values are nominal; tolerances confirmed at quote.