

**BALL VALVE**

# SS 3PC Ball Valve M3 - BSP

MODEL **VTDK-63** REF **EFC-111** ISSUED **05 Jun 2026**

## SPECIFICATIONS

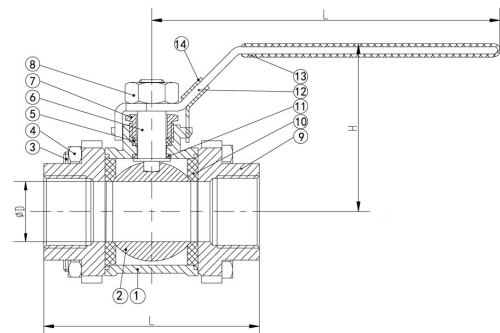
Size	<b>DN15–DN100</b>
Pressure	<b>63 bar</b>
End connection	<b>threaded (BSP)</b>
Temperature	<b>-20°C to 180°C</b>
Media	<b>water, oil, gas</b>

## ACTUATION

- manual lever — SS201/SS304 lever with PVC lever cover and lock

## APPLICATIONS

- water
- oil and gas



## MATERIALS

---

body	<b>stainless steel</b>	ball	<b>stainless steel</b>
packing	<b>PTFE</b>	stem	<b>stainless steel</b>
seat	<b>PTFE</b>		

---

## FEATURES

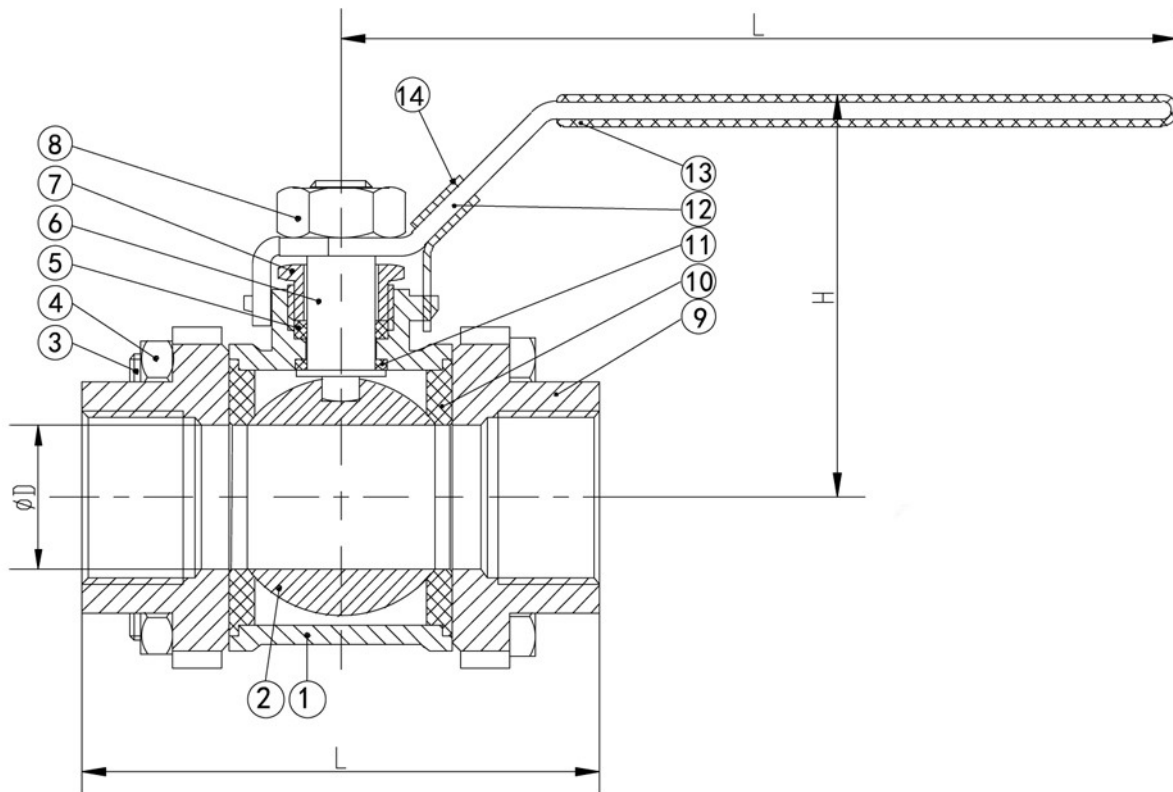
---

- 3-piece body construction
- BSP threaded end connections
- PTFE seat and packing
- Lever operator with locking device
- Stainless steel body options CF8 and CF8M
- Ball available in SS304 or SS316

BALL VALVE

# SS 3PC Ball Valve M3 - BSP

SECTION Technical drawing REF EFC-111



BALL VALVE

## SS 3PC Ball Valve M3 - BSP

SECTION Dimensions per size REF EFC-111

SIZE	L	D	H	T
DN15	75	15	62	107
DN20	80	20	65	120
DN25	90	25	71	126
DN32	110	32	85	143
DN40	120	40	90	160
DN50	140	50	100	171
DN65	185	65	121	205
DN80	205	80	141	235
DN100	235	100	169	296

All dimensions in millimetres unless stated otherwise. Values are nominal; tolerances confirmed at quote.