

BALL VALVE

SS 2PC Ball Valve M3 - BSP

MODEL **VSSKV-63** REF **EFC-110** ISSUED **05 Jun 2026**

SPECIFICATIONS

Size	DN8–DN100
Pressure	63 bar
End connection	threaded (BSP)
Temperature	-20°C to 180°C
Media	water, oil, gas

ACTUATION

- manual lever — Stainless steel lever with PVC cover and lock

APPLICATIONS

- water
- oil and gas

MATERIALS

body	stainless steel	bonnet	stainless steel
seat	polymer	gasket	polymer
packing	polymer	stem	stainless steel
ball	stainless steel		

FEATURES

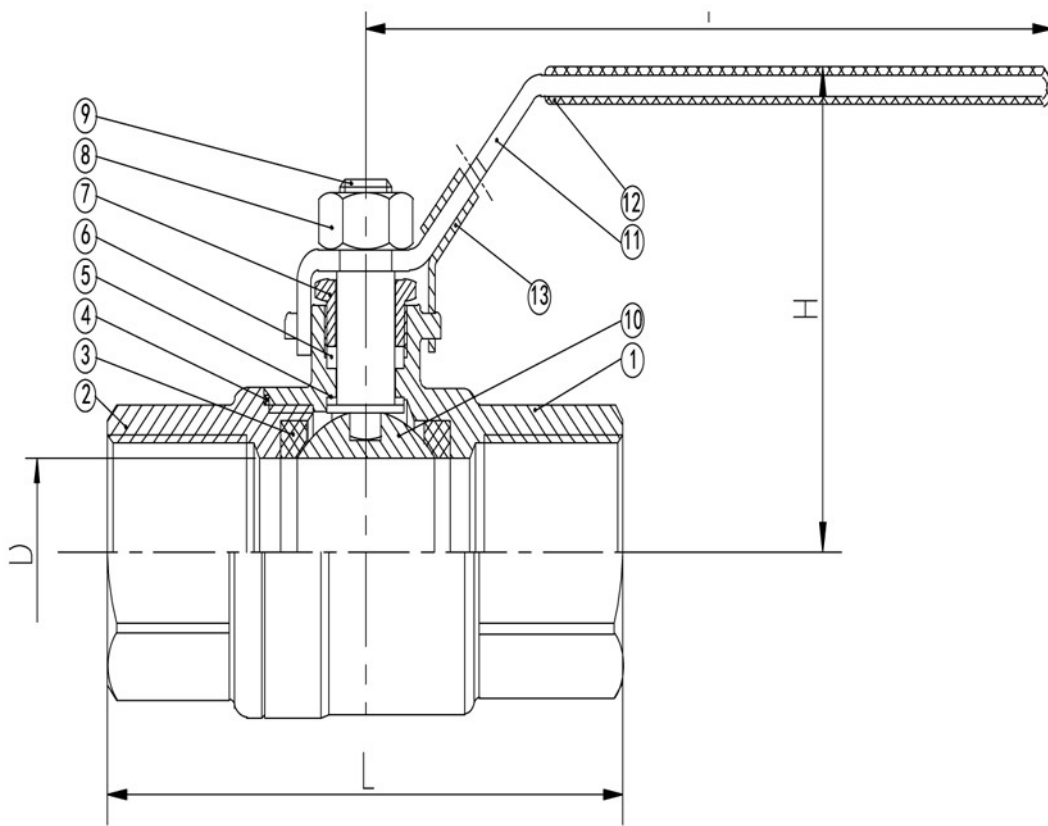
- Two-piece body construction
- BSP threaded end connections
- PTFE seat, gasket, washer, and packing
- Ball and stem available in SS 304 or SS 316
- Body available in CF8 or CF8M
- Lever with PVC cover and integral lock



BALL VALVE

SS 2PC Ball Valve M3 - BSP

SECTION Technical drawing REF EFC-110



BALL VALVE

SS 2PC Ball Valve M3 - BSP

SECTION Dimensions per size REF EFC-110

SIZE	L	D	H	T
DN8	55	8	50	89
DN10	60	10	50	89
DN15	75	15	56	107
DN20	80	20	61	120
DN25	90	25	67	126
DN32	110	32	78	143
DN40	120	40	83	160
DN50	140	50	96	171
DN65	185	65	124	205
DN80	205	80	145	235
DN100	235	100	162	296

All dimensions in millimetres unless stated otherwise. Values are nominal; tolerances confirmed at quote.