

BALL VALVE

Bronze Ball Valve - BSP

MODEL **VFBKV-20** REF **EFC-109** ISSUED **05 Jun 2026**

SPECIFICATIONS

Size	DN8–DN100
Pressure	20 bar
End connection	threaded (BSP)
Temperature	-20°C to 170°C
Media	water, oil, gas

ACTUATION

- manual lever — Steel chrome plated lever with PVC cover

APPLICATIONS

- water
- oil and gas

MATERIALS

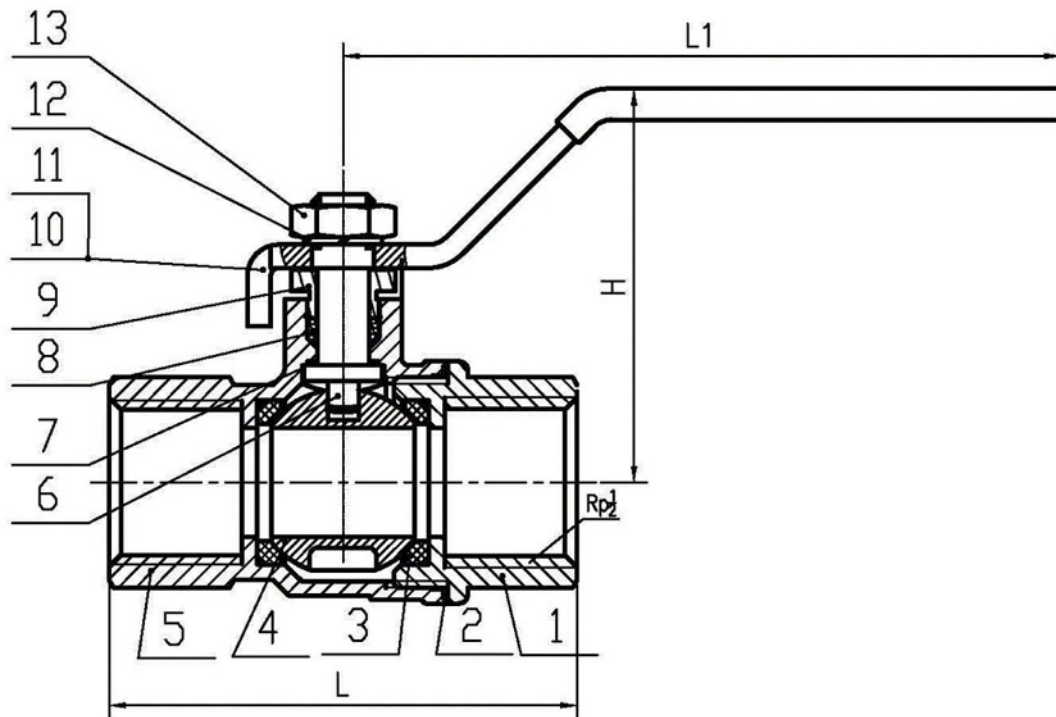
packing	PTFE	seat	PTFE
ball	bronze	body	bronze
stem	brass	gasket	steel



BALL VALVE

Bronze Ball Valve - BSP

SECTION Technical drawing REF EFC-109



BALL VALVE

Bronze Ball Valve - BSP

SECTION Dimensions per size REF EFC-109

SIZE	L	L1	H	DIAMETER
DN8	43	70	28	9.5
DN10	46	70	28	9.5
DN15	53	95	44	14
DN20	61	110	51	19
DN25	71	110	55	24
DN32	85	140	65	31
DN40	92	140	70	38
DN50	114	160	83	49
DN65	134	220	118	63
DN80	152	270	132	73
DN100	182	280	150	90

All dimensions in millimetres unless stated otherwise. Values are nominal; tolerances confirmed at quote.