

BALL VALVE

Monoblock Wafer Type Ball Valve

MODEL VKMC-16 REF EFC-108 ISSUED 05 Jun 2026

SPECIFICATIONS

Size	DN15–DN100
Pressure	PN16
End connection	wafer (EN 1092-1)
Face-to-face	VisVana Design

ACTUATION

- manual lever — SS 201 + PVC lever — ISO 5211
- pneumatic actuator — as shown in product image — ISO 5211
- electric actuator — as shown in product image — ISO 5211

STANDARDS

Design	ASME B16.34
Test	EN 12266



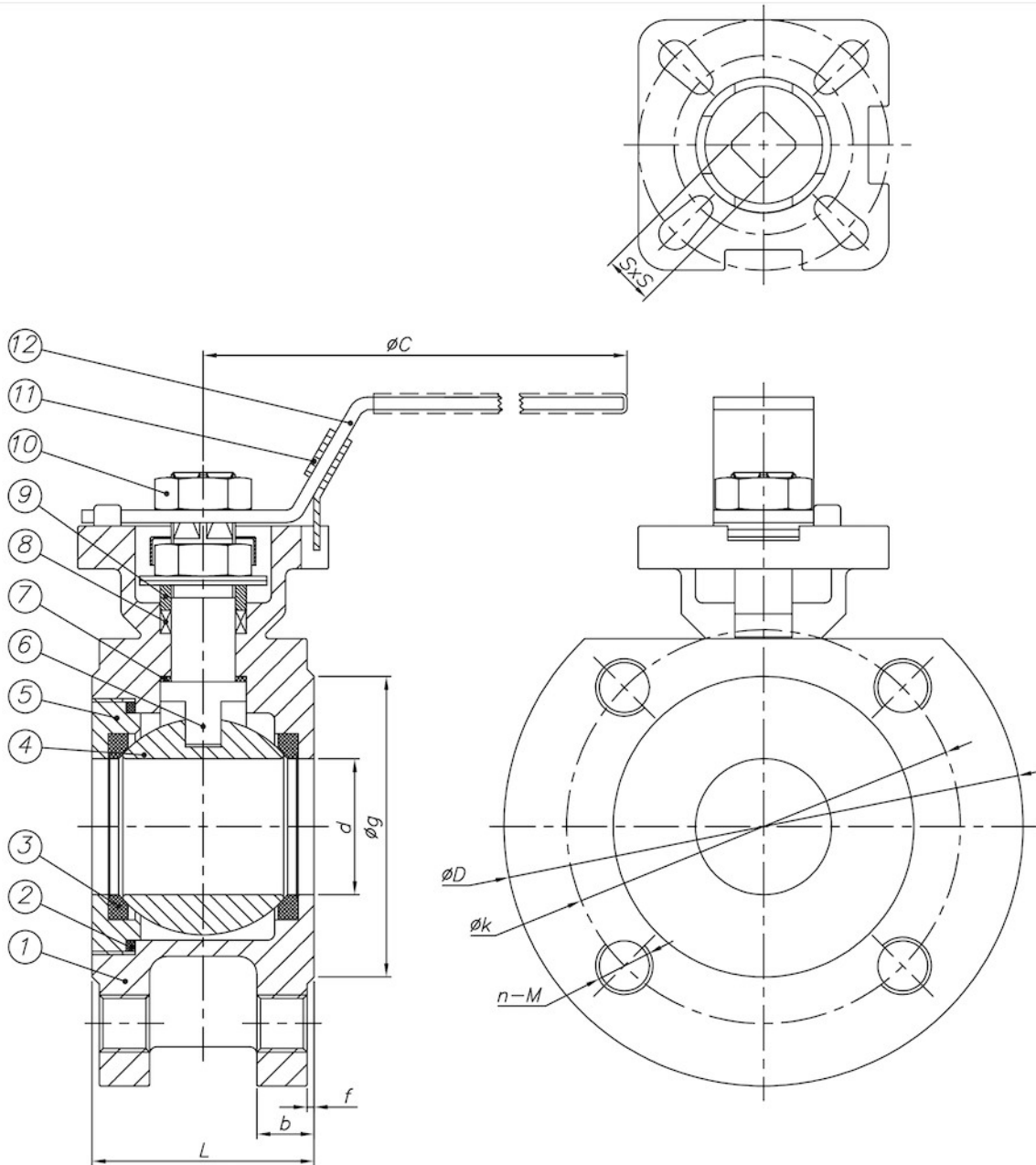
MATERIALS

body	carbon steel, stainless steel	gasket	PTFE
seat	PTFE	ball	stainless steel
bonnet	carbon steel, stainless steel	stem	stainless steel
packing	PTFE		

BALL VALVE

Monoblock Wafer Type Ball Valve

SECTION Technical drawing REF EFC-108



BALL VALVE

Monoblock Wafer Type Ball Valve

SECTION Dimensions per size REF EFC-108

SIZE	L	D	H	C	OD	OK	OG	B	F	WEIGHT
DN15	42	15	76	110	95	65	45	14	2	1.4 kg
DN20	44	20	81	110	105	75	58	16	2	1.9 kg
DN25	50	25	90	160	115	85	68	16	2	2.4 kg
DN32	60	30	102	160	140	100	78	16	2	3.6 kg
DN40	65	36	115	185	150	110	88	16	3	4.4 kg
DN50	80	46	122	185	165	125	102	18	3	5.5 kg
DN65	110	57	168	305	185	145	122	18	3	8.6 kg
DN80	120	73	178	305	200	160	138	20	3	11 kg
DN100	150	90	198	305	220	180	158	20	3	14 kg

All dimensions in millimetres unless stated otherwise. Values are nominal; tolerances confirmed at quote.