

BUTTERFLY VALVE

Flanged Type Butterfly Valve

MODEL VFKF-16 REF EFC-107 ISSUED 05 Jun 2026

SPECIFICATIONS

Size	DN50–DN600
Pressure	PN16
End connection	flanged (EN 1092-1) / flanged (EN 1092-1) / flanged (EN 1092-1) / flanged (ASME B16.5) / flanged (JIS B2220) / flanged (JIS B2220)
Face-to-face	EN 558 Serie 13, DIN 3202-F16, BS 5155

ACTUATION

- manual lever — DIN EN ISO 5211
- pneumatic double-acting — DIN EN ISO 5211
- pneumatic single-acting — DIN EN ISO 5211
- electric actuator — DIN EN ISO 5211
- manual gearbox — DIN EN ISO 5211

STANDARDS

Test	EN 12266
------	----------



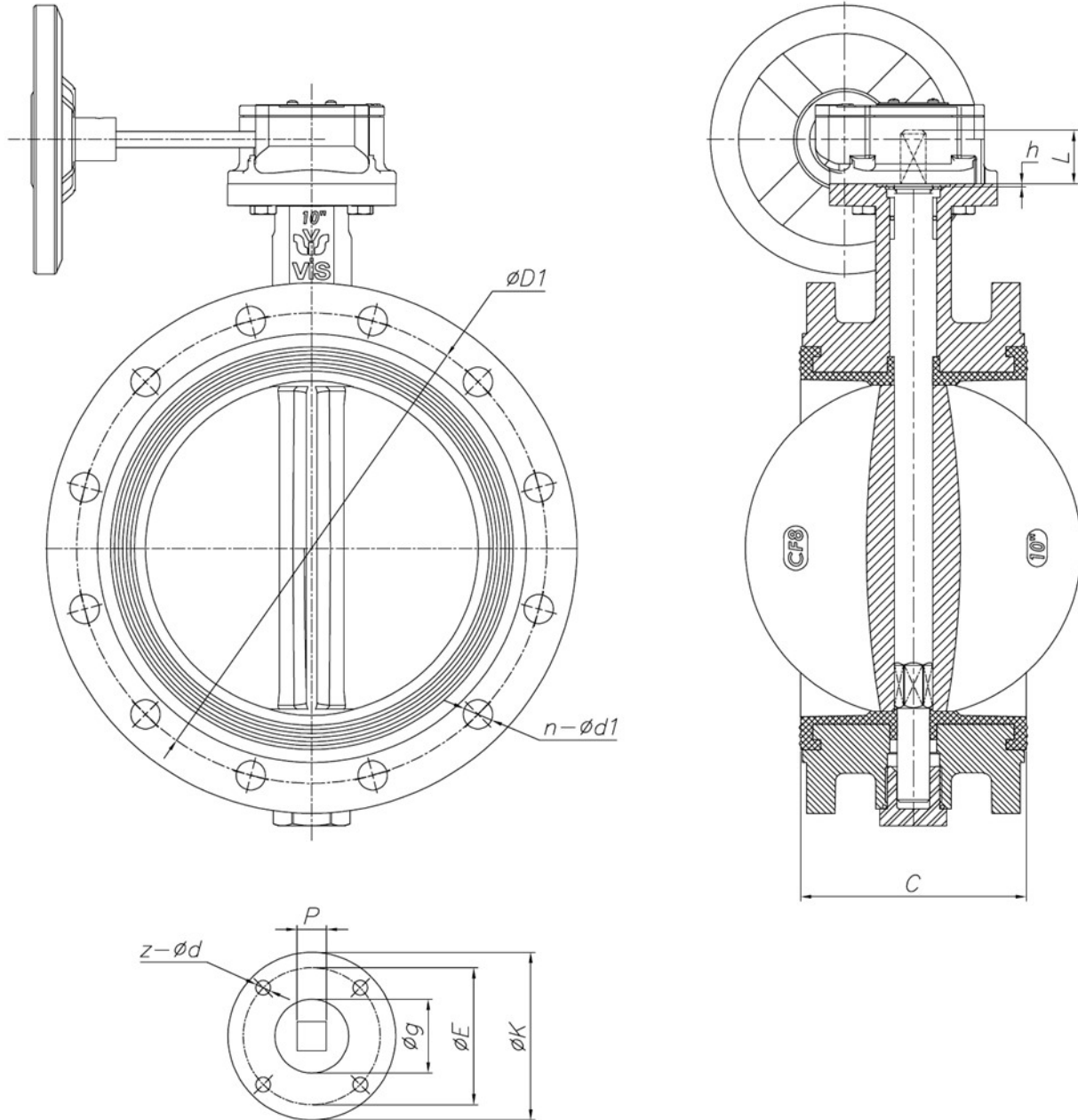
MATERIALS

body	ductile iron, carbon steel, bronze, aluminium bronze, stainless steel	seat	elastomer, polymer
shaft	stainless steel	disc	ductile iron, carbon steel, aluminium bronze, stainless steel
bushing	polymer	o ring	elastomer

BUTTERFLY VALVE

Flanged Type Butterfly Valve

SECTION Technical drawing REF EFC-107



BUTTERFLY VALVE

Flanged Type Butterfly Valve

SECTION Dimensions per size REF EFC-107

SIZE	C	WEIGHT
DN50	108	8 kg
DN65	112	9 kg
DN80	114	11 kg
DN100	127	13 kg
DN125	140	17 kg
DN150	152	23 kg
DN200	165	32 kg
DN250	178	50 kg
DN300	190	65 kg
DN350	216	95 kg
DN400	222	130 kg
DN450	229	150 kg
DN500	267	200 kg
DN600	—	300 kg

All dimensions in millimetres unless stated otherwise. Values are nominal; tolerances confirmed at quote.