

BUTTERFLY VALVE

Triple Offset Butterfly Valve

MODEL VHPBV-C150 REF EFC-106 ISSUED 05 Jun 2026

SPECIFICATIONS

Size	DN50–DN600
Pressure	150 Lb
End connection	wafer (ANSI B16.5) / lug (ANSI B16.5) / flanged (ANSI B16.5)
Face-to-face	API 609, ANSI B16.10
Temperature	-20°C to 420°C
Media	oil, gas, water

ACTUATION

- worm gear handwheel — Worm Gear (item 10)

STANDARDS

Design	API 609
Test	API 598



MATERIALS

body	carbon steel	seat	stainless steel
disc	stainless steel	stem	stainless steel
packing	graphite		

FEATURES

- Triple offset disc geometry
- Multi-layer sealing ring construction
- Seat protection ring
- Fire safe design
- Worm gear operated

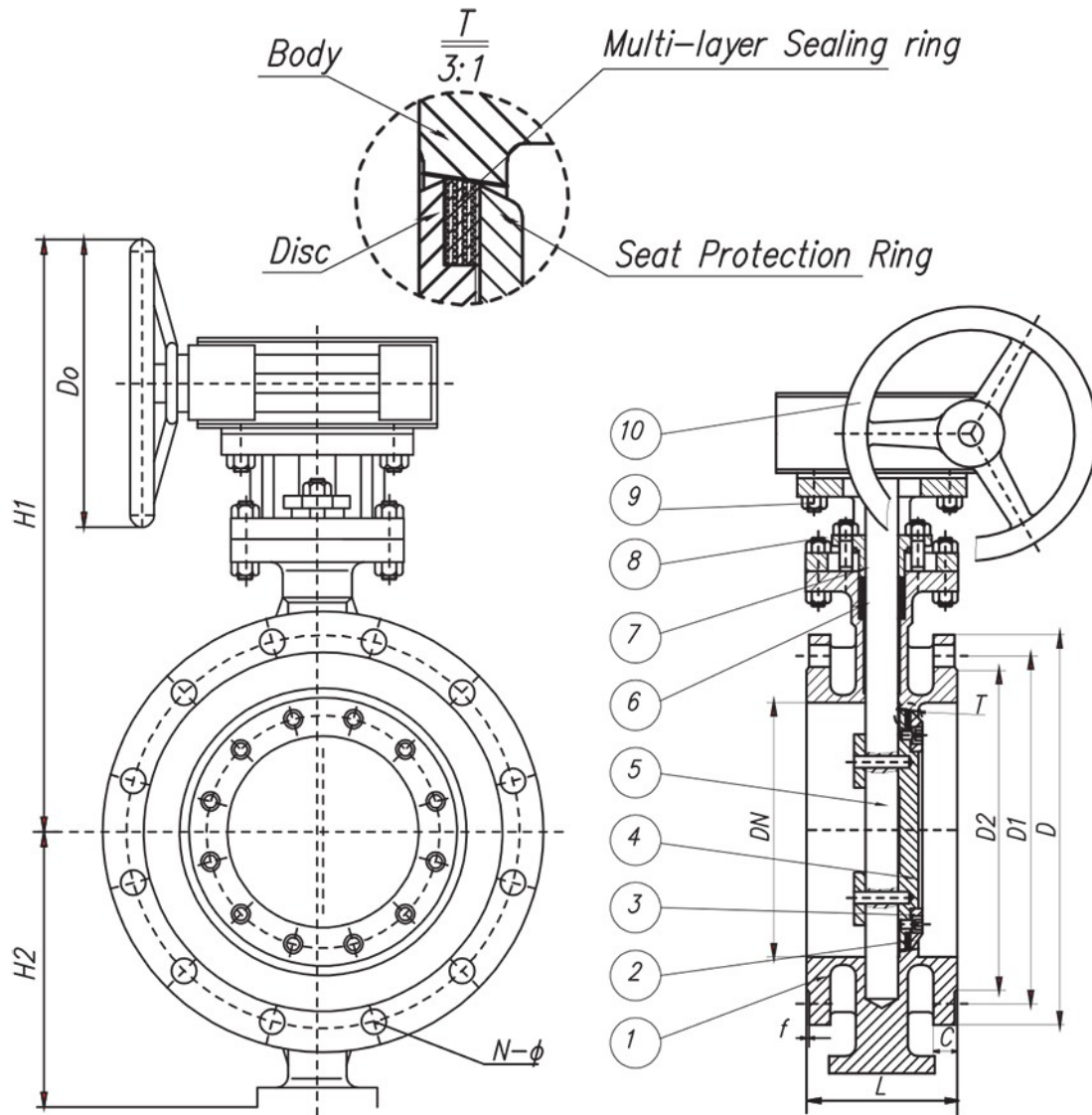
PRESSURE-TEMPERATURE RATING

CLASS	TEMPERATURE	MAX PRESSURE
150 Lb	-99°C	3.1 MPa
150 Lb	500°C	3.1 MPa

BUTTERFLY VALVE

Triple Offset Butterfly Valve

SECTION Technical drawing REF EFC-106



BUTTERFLY VALVE

Triple Offset Butterfly Valve

SECTION Dimensions per size REF EFC-106

SIZE	L	D	D1	D2	N_HOLES	C	F	H1	H2	DO
2"	108	152	120.7	92	4-19	16	1.6	290	110	145
3"	114	191	139.7	127	4-19	19.5	1.6	315	130	145
4"	127	229	152.4	157	8-19	24	1.6	360	170	145
5"	140	254	190.5	186	8-22	24	1.6	470	185	290
6"	140	279	216	216	8-22	25.5	1.6	505	210	290
8"	152	343	241.3	270	12-25	29	1.6	570	240	340
10"	165	406	298.5	324	12-25	30.5	1.6	610	285	340
12"	178	483	362	381	12-25	32	1.6	690	310	340
14"	190	533	431.8	413	12-28	35	1.6	730	350	380
16"	216	597	476.3	470	16-28	37	1.6	770	375	380
18"	222	635	539.8	533	16-32	40	1.6	835	405	380
20"	229	699	635	584	20-32	43	1.6	925	455	380
24"	267	813	749.3	692	20-35	48	1.6	940	510	380

All dimensions in millimetres unless stated otherwise. Values are nominal; tolerances confirmed at quote.