

BUTTERFLY VALVE

Wafer Type Butterfly Valve

MODEL **VWKV-16** REF **EFC-105** ISSUED **05 Jun 2026**

SPECIFICATIONS

Size	DN50–DN600
Pressure	PN16
End connection	wafer (EN 1092-1) / wafer (EN 1092-1) / wafer (EN 1092-1) / wafer (ASME B16.5) / wafer (JIS B2220) / wafer (JIS B2220)
Face-to-face	EN 558 Serie 20, DIN 3202-K1, API 609

ACTUATION

- manual lever — DIN EN ISO 5211
- pneumatic double-acting — DIN EN ISO 5211
- electric — DIN EN ISO 5211
- manual gearbox — DIN EN ISO 5211

STANDARDS

Design	API 609
Test	EN 12266

MATERIALS

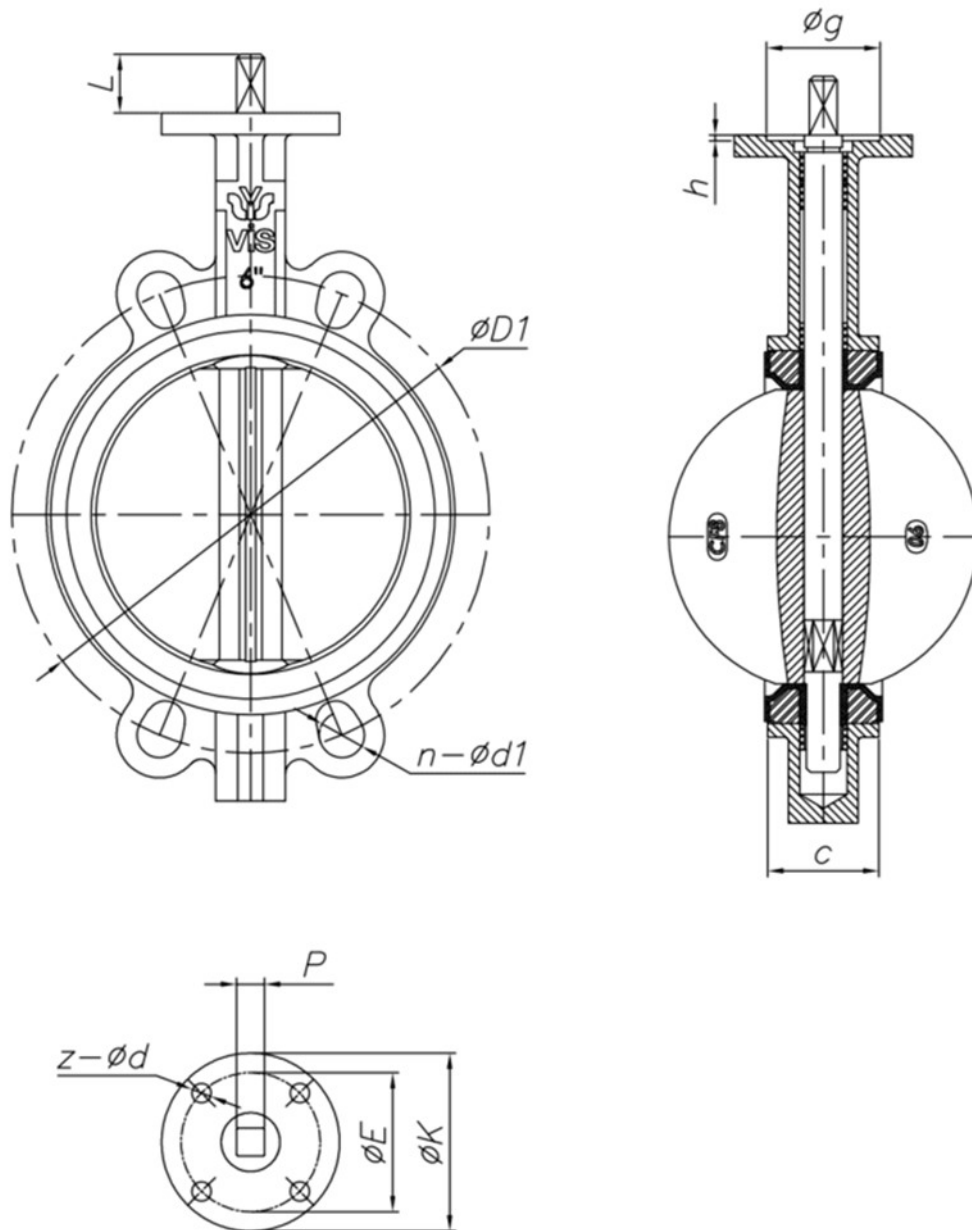
body	ductile iron, carbon steel, bronze, aluminium bronze, stainless steel	seat	elastomer, polymer
shaft	stainless steel	disc	ductile iron, carbon steel, aluminium bronze, stainless steel
bushing	polymer	o ring	elastomer



BUTTERFLY VALVE

Wafer Type Butterfly Valve

SECTION Technical drawing REF EFC-105



BUTTERFLY VALVE

Wafer Type Butterfly Valve

SECTION Dimensions per size REF EFC-105

SIZE	C	L	WEIGHT
DN50	43	46	3.5 kg
DN65	43	46	4 kg
DN80	46	46	4.4 kg
DN100	52	52	6 kg
DN125	56	—	7.3 kg
DN150	56	—	8.5 kg
DN200	60	—	15.8 kg
DN250	68	45	22.4 kg
DN300	78	—	32.9 kg
DN350	78	46	54 kg
DN400	102	51	76 kg
DN450	114	64	93 kg
DN500	127	70	133 kg
DN600	154	—	198 kg

All dimensions in millimetres unless stated otherwise. Values are nominal; tolerances confirmed at quote.