

BUTTERFLY VALVE

LUG Type Butterfly Valve

MODEL VLKV-16 REF EFC-104 ISSUED 05 Jun 2026

SPECIFICATIONS

Size	DN50–DN600
Pressure	PN16
End connection	lug (EN 1092-1) / lug (EN 1092-1) / lug (EN 1092-1) / lug (ASME B16.5) / lug (JIS B2220) / lug (JIS B2220)
Face-to-face	EN 558 Series 20, DIN 3202-K1, API 609

STANDARDS

Design	API 609
Test	EN 12266



MATERIALS

body	ductile iron, carbon steel, bronze, aluminium bronze, stainless steel	disc	ductile iron, carbon steel, aluminium bronze, stainless steel
seat	elastomer, fluoroelastomer, fluoropolymer	shaft	stainless steel
bushing	polymer	o ring	elastomer

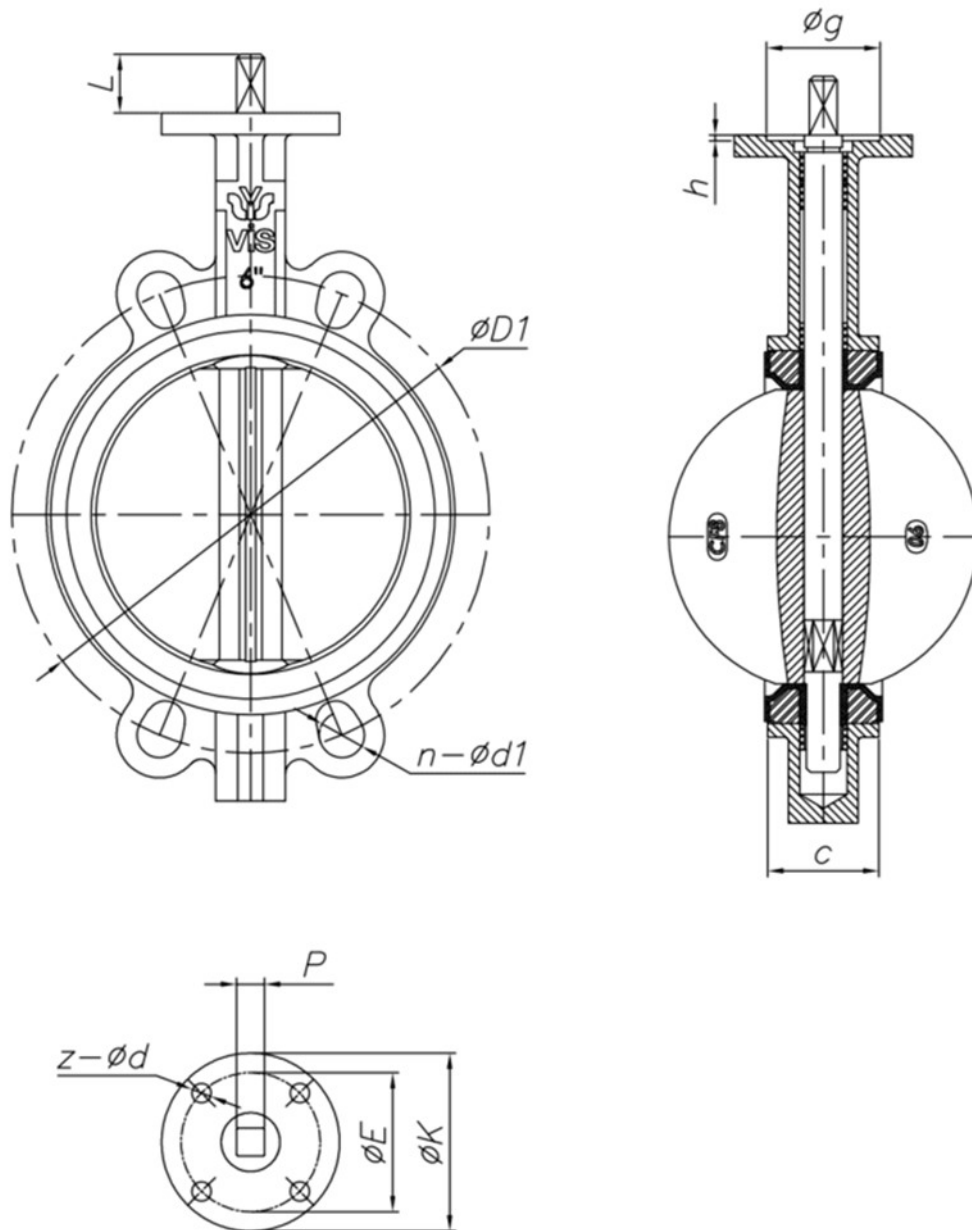
FEATURES

- Lug-type body allowing end-of-line service
- Top flange drilling to DIN EN ISO 5211 for actuator mounting
- Stem dimensions to DIN 3337
- Compatible with EN 1092-1 (PN6, PN10, PN16), ASME B16.5 Class 150, and JIS B2220 (5K, 10K) flanges
- Multiple seat elastomer options to suit varying media

BUTTERFLY VALVE

LUG Type Butterfly Valve

SECTION Technical drawing REF EFC-104



BUTTERFLY VALVE

LUG Type Butterfly Valve

SECTION Dimensions per size REF EFC-104

SIZE	C	ØK	ØE	ØG	L	P	WEIGHT
DN50	43	65	50	35	32	9	4.6 kg
DN65	43	65	50	35	32	9	5.2 kg
DN80	46	65	50	35	32	11	6.8 kg
DN100	52	90	70	55	32	14	8.5 kg
DN125	52	90	70	55	32	14	10.5 kg
DN150	56	90	70	55	32	17	12.5 kg
DN200	60	125	102	70	45	22	20.2 kg
DN250	68	125	102	70	45	22	29.5 kg
DN300	68	125	102	70	45	27	46.5 kg
DN350	102	175	140	100	46	27	71 kg
DN400	114	175	140	100	51	36	107 kg
DN450	127	210	165	130	64	36	140 kg
DN500	154	210	165	130	70	36	186 kg
DN600	154	210	165	130	70	36	267 kg

All dimensions in millimetres unless stated otherwise. Values are nominal; tolerances confirmed at quote.