

BUTTERFLY VALVE

Double Flanged Butterfly Valve

MODEL VFKV-16 REF EFC-102 ISSUED 05 Jun 2026

SPECIFICATIONS

Size	DN100–DN1200
Pressure	PN10–PN40
End connection	flanged (EN 1092) / flanged (EN 1092) / flanged (EN 1092) / flanged (EN 1092)
Face-to-face	EN 558 Serie 14, DIN 3202 F4, EN 558 Serie 13, BS 5155

ACTUATION

- worm gear — GGG-50 / St gear unit

STANDARDS

Design	DIN 3202/2-F4
Test	EN 12266

MATERIALS

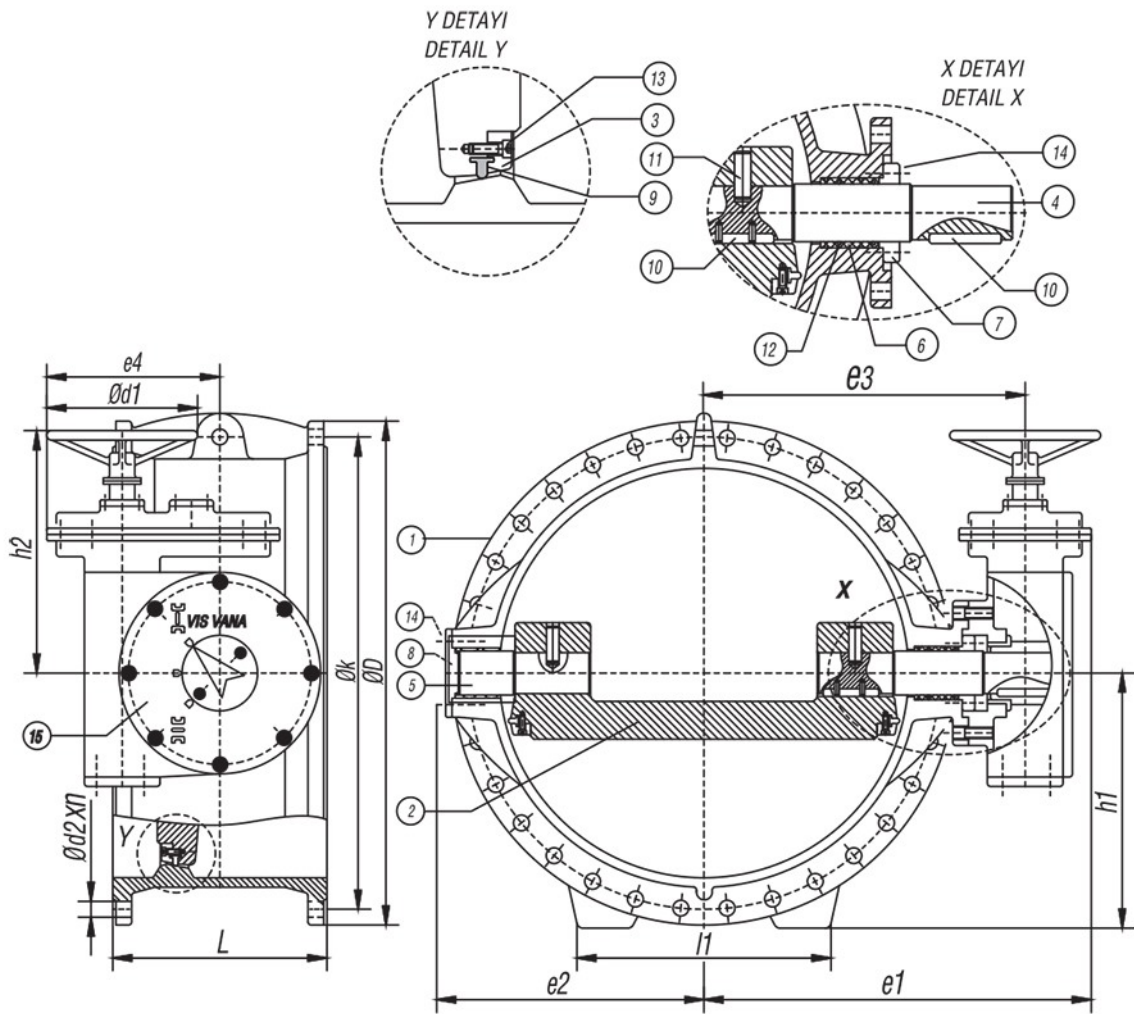
body	ductile iron, cast steel, stainless steel	disc	ductile iron, cast steel, aluminium bronze
stem	stainless steel	bushing	PTFE
o ring	elastomer, NBR elastomer		



BUTTERFLY VALVE

Double Flanged Butterfly Valve

SECTION Technical drawing REF EFC-102



BUTTERFLY VALVE

Double Flanged Butterfly Valve

SECTION Dimensions per size REF EFC-102

SIZE	L_EN558_S14	L_BS5155	E1	E2	E3	H1	D1	L1	WEIGHT
DN100	190	127	250	105	198	110	180	—	30 kg
DN125	200	140	262	117	210	125	180	—	35 kg
DN150	210	140	284	128	232	143	180	—	45 kg
DN200	230	152	307	157	255	170	180	—	50 kg
DN250	250	165	387	213	319	212	—	260	95 kg
DN300	270	178	423	242	355	240	—	335	120 kg
DN350	290	190	438	273	370	270	—	345	160 kg
DN400	310	216	482	299	414	295	—	375	200 kg
DN450	330	222	515	335	447	325	—	450	255 kg
DN500	350	229	573	355	491	367	—	470	300 kg
DN600	390	267	641	430	559	430	—	545	460 kg
DN700	430	292	729	465	599	465	—	590	635 kg
DN800	470	318	790	521	660	522	—	660	790 kg

Double Flanged Butterfly Valve

Dimensions per size (continued) · EFC-102

SIZE	L_EN558_S14	L_BS5155	E1	E2	E3	H1	D1	L1	WEIGHT
DN900	510	330	845	576	715	570	—	720	1020 kg
DN1000	550	410	920	650	790	632	—	770	1355 kg
DN1100	590	440	980	710	850	695	—	—	1710 kg
DN1200	630	470	1168	765	945	752	—	—	2400 kg

All dimensions in millimetres unless stated otherwise. Values are nominal; tolerances confirmed at quote.