

CHECK VALVE

Short Type Swing Check Valve PN16

MODEL **VWFCV-16** REF **EFC-101** ISSUED **05 Jun 2026**

SPECIFICATIONS

Size	DN15–DN300
Pressure	PN16
End connection	flanged (DIN) / flanged (ANSI) / flanged (JIS)

STANDARDS

Test	EN 12266
------	-----------------



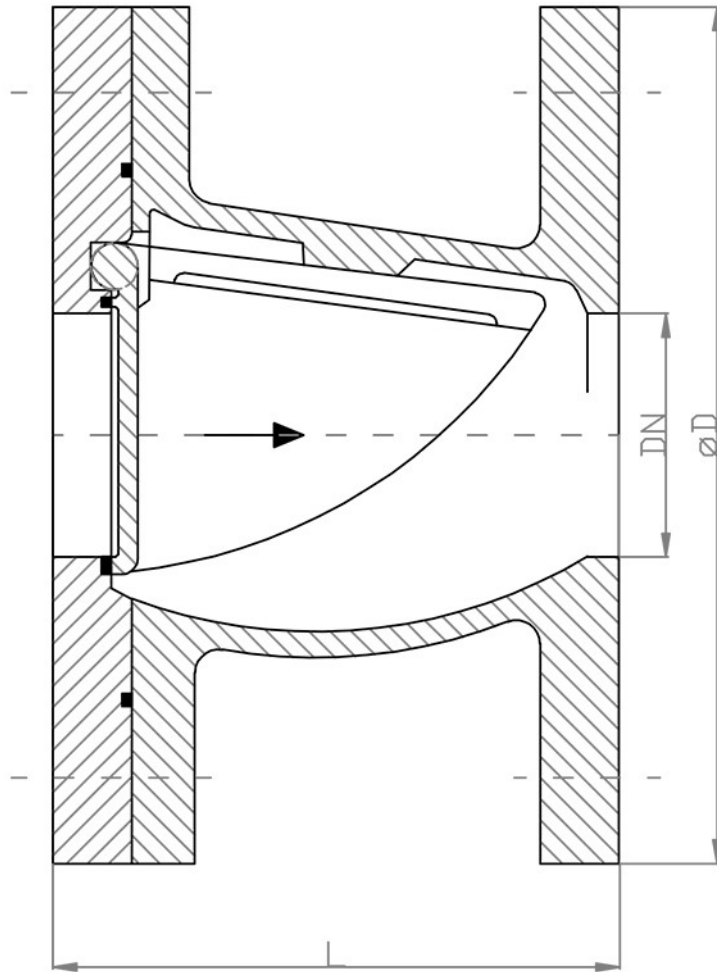
MATERIALS

body	bronze	disc	bronze
o ring	elastomer	gasket	elastomer

CHECK VALVE

Short Type Swing Check Valve PN16

SECTION Technical drawing REF EFC-101



CHECK VALVE

Short Type Swing Check Valve PN16

SECTION Dimensions per size REF EFC-101

SIZE	ØD	L	WEIGHT
DN15	95	65	2.1 kg
DN20	105	65	2.5 kg
DN25	115	70	3 kg
DN32	140	75	5 kg
DN40	150	80	6 kg
DN50	165	85	7 kg
DN65	185	105	9 kg
DN80	200	125	11 kg
DN100	220	145	16 kg
DN125	250	170	21 kg
DN150	285	200	29 kg
DN200	340	255	44 kg
DN250	395	310	64 kg
DN300	445	360	79 kg

All dimensions in millimetres unless stated otherwise. Values are nominal; tolerances confirmed at quote.