

APPLICATION CATALOGUE

# Marine & Offshore Valves

Classification-approved valves for shipboard systems and offshore installations

*A representative selection of the range. Valves are configurable to your specification.*

---

Marine and offshore applications demand valves that meet classification society type approval and withstand the corrosive effects of seawater and salt atmosphere. This selection covers JIS and bronze marine valves, quick-closing and storm valves and sea chest strainers for shipboard and offshore service. Specifications are indicative and confirmed at the time of quotation.

## KEY STANDARDS

- DNV, ABS, Lloyd's Register and Bureau Veritas rules
- JIS B2301 / B2302
- IMO SOLAS II-2 (quick-closing valves)
- EN 1092-1 (flanges)

---

## SUPPLIED BY

### **EAP Global Limited (trading as Euro Flow Control)**

Airedesk Business Hub 17, Triq Il-Modd, Swieqi, SWQ 2373, Malta · Company no. Malta C 110100  
sales@euroflowcontrol.com · +351 912 529 904 · euroflowcontrol.com

Issued July 2026

WHO WE ARE

# About Euro Flow Control

Euro Flow Control supplies industrial valves and flow control equipment to industry across Europe and worldwide.

This catalogue shows a selection of our range. It is indicative of what we supply, not a limit: we source a great deal more to specification, so if you do not see what you need, please ask.

Euro Flow Control supplies equipment to project specification across water and wastewater, marine, fire protection, HVAC, oil and gas and industrial process applications. Requirements outside the range shown are supplied to specification on request.

Enquiries are handled on a project basis. On receipt of a specification, parts list or written description of requirement, we prepare a quotation for review.

## SECTORS SERVED

Water and wastewater. Marine and offshore. Fire protection. HVAC and building services. Oil and gas. Industrial process.

## STANDARDS AND CERTIFICATION

Products are manufactured to recognised international standards (API, ASME, EN, ISO and DIN). Material and test certification to EN 10204 3.1 is provided as standard, with PED, ATEX, fire-safe (API 607 / 6FA) and marine classification available on request and confirmed per order.

## ENQUIRY TO QUOTATION

- Submit your requirement as a specification, parts list or written description.
- We confirm specification, materials, end connections and applicable standards against your requirement.
- We issue a quotation, with certification and approvals provided to project requirements.

SUPPLIED BY

**EAP Global Limited (trading as Euro Flow Control)**

sales@euroflowcontrol.com · euroflowcontrol.com

Issued July 2026

# Contents

MARINE & OFFSHORE VALVES

Download other catalogues and browse the live range at [euroflowcontrol.com](http://euroflowcontrol.com)

## Valve types

Click a type to jump to its section

<b>JIS Valve</b>	17
<b>Bronze Marine Valve</b>	14
<b>Fire Hydrant</b>	8
<b>Marine Strainer</b>	4
<b>Other</b>	3
<b>Globe Valve</b>	2
<b>Storm Valve</b>	2
<b>Check Valve</b>	1
<b>Ball Valve</b>	1
<b>Strainer</b>	1

## JIS Valve

17 products · p.6

<b>EFC-127</b>	JIS Double Flanged Butterfly Valve	<b>6</b>
<b>EFC-128</b>	JIS 5K Cast Iron Gate Valve	<b>9</b>
<b>EFC-129</b>	JIS 10K Cast Iron Gate Valve	<b>12</b>
<b>EFC-130</b>	JIS 16K Cast Iron Gate Valve	<b>15</b>
<b>EFC-131</b>	JIS 10K Cast Steel Gate Valve	<b>18</b>
<b>EFC-132</b>	JIS 5K Straight Globe Valve	<b>22</b>
<b>EFC-133</b>	JIS 16K Straight Globe Valve	<b>26</b>
<b>EFC-134</b>	JIS 5K Angle Globe Valve	<b>30</b>
<b>EFC-135</b>	JIS 5K Straight Globe Valve	<b>34</b>
<b>EFC-136</b>	JIS 10K Straight Globe Valve	<b>38</b>
<b>EFC-137</b>	JIS 16K Straight Globe Valve	<b>42</b>
<b>EFC-138</b>	JIS 5K Angle Globe Valve	<b>45</b>
<b>EFC-139</b>	JIS 10K Angle Globe Valve	<b>49</b>
<b>EFC-140</b>	JIS 16K Angle Globe Valve	<b>53</b>
<b>EFC-141</b>	JIS Straight Type Storm Valve	<b>56</b>
<b>EFC-142</b>	JIS Angle Type Storm Valve	<b>60</b>
<b>EFC-143</b>	JIS Angle Globe Valve	<b>63</b>

## Bronze Marine Valve

14 products · p.67

<b>EFC-198</b>	Wafer Type Butterfly Valve (Marine)	<b>67</b>
<b>EFC-199</b>	LUG Type Butterfly Valve (Marine)	<b>70</b>
<b>EFC-200</b>	Angle Type Globe Valve (Marine)	<b>72</b>
<b>EFC-201</b>	Discharge (Overboard) Valve Straight Form VDDV-16 Angle Form VADV-16	<b>75</b>
<b>EFC-202</b>	Swing Check Valve (Marine)	<b>78</b>
<b>EFC-203</b>	Lift Type Check Valve (Marine)	<b>82</b>
<b>EFC-204</b>	Disc Check Valve (Marine)	<b>85</b>
<b>EFC-205</b>	U-Type Double Flanged Butterfly Valve (Marine)	<b>89</b>
<b>EFC-206</b>	Ball Valve	<b>98</b>
<b>EFC-207</b>	Ball Check Valve (Marine)	<b>102</b>
<b>EFC-208</b>	Wafer Check Valve (Marine)	<b>105</b>
<b>EFC-209</b>	Tilting Type Check Valve (Marine)	<b>108</b>
<b>EFC-210</b>	Wafer Tilting Disc Check Valve (Marine)	<b>117</b>
<b>EFC-211</b>	U-Type Double Flanged Butterfly Valve (Marine)	<b>120</b>

## Fire Hydrant

8 products · p.129

<b>EFC-161</b>	Fire Valve Straight Type	<b>129</b>
<b>EFC-162</b>	Angle Type Fire Valve	<b>133</b>
<b>EFC-163</b>	Angle Type 30 Oblique Type Fire Valve	<b>136</b>
<b>EFC-164</b>	Threaded Angle Type Fire Valve	<b>139</b>
<b>EFC-165</b>	Fire Hydrant Diaphragm Valve	<b>143</b>
<b>EFC-166</b>	Fire Valve Straight Type (Bolted Bonnet)	<b>146</b>
<b>EFC-167</b>	Angle Type Fire Valve (Bolted Bonnet)	<b>150</b>
<b>EFC-168</b>	Angle Type 30 Oblique Type Fire Valve (Bolted Bonnet)	<b>154</b>

<b>Marine Strainer</b>		4 products - p.158
<b>EFC-192</b>	Straight Type Mud Box .....	<b>158</b>
<b>EFC-195</b>	Angle Type Mud Box With Quick Release Bonnet .....	<b>162</b>
<b>EFC-196</b>	Aluminum Straight Type Mud Box .....	<b>165</b>
<b>EFC-197</b>	Aluminum Angle Type Mud Box .....	<b>168</b>
<b>Other</b>		3 products - p.171
<b>EFC-178</b>	Bronze Pressure Reducing Valve .....	<b>171</b>
<b>EFC-180</b>	Sounding Cocks Valve 90 Stop Turning Lever .....	<b>174</b>
<b>EFC-181</b>	Sounding Cocks PN 4 360 Turning Lever .....	<b>177</b>
<b>Globe Valve</b>		2 products - p.180
<b>EFC-71</b>	Bronze SDSL Globe Valve - BSPT .....	<b>180</b>
<b>EFC-72</b>	Bronze SDNR Globe Valve - BSPT .....	<b>183</b>
<b>Storm Valve</b>		2 products - p.186
<b>EFC-151</b>	Str. Form Storm Valve .....	<b>186</b>
<b>EFC-152</b>	Angle Form Storm Valve .....	<b>190</b>
<b>Check Valve</b>		1 product - p.193
<b>EFC-96</b>	Threaded Bronze Swing Check Valve .....	<b>193</b>
<b>Ball Valve</b>		1 product - p.196
<b>EFC-109</b>	Bronze Ball Valve - BSP .....	<b>196</b>
<b>Strainer</b>		1 product - p.199
<b>EFC-322</b>	Y-Strainer .....	<b>199</b>

JIS VALVE

# JIS Double Flanged Butterfly Valve

REF **EFC-127** ISSUED **09 Jul 2026**

## SPECIFICATIONS

Size	<b>DN100 to DN600</b>
Pressure	<b>5K, 10K</b>
End connection	<b>flanged (JIS B2210) / flanged (JIS B2210)</b>
Temperature	<b>-10°C to 80°C</b>
Media	<b>sea water, cold water, warm water</b>

## ACTUATION

- gearbox — Assembly — ISO 5211

## APPLICATIONS

- sea water
- cold water
- warm water

## MATERIALS

Body	<b>GGG 40</b>	Bushing	<b>Brass</b>
Disc	<b>Al-Bronze C95400</b>	Pin	<b>2507</b>
Seat	<b>NBR</b>	Stem	<b>SS 410</b>
O ring	<b>NBR</b>	Gearbox	<b>Assembly</b>

## FEATURES

- Double flanged body with JIS B2210 flange ends
- ISO 5211 actuator mounting pad
- Aluminium bronze disc for corrosion resistance in marine service
- Super duplex (2507) pin material
- NBR seat and O-ring

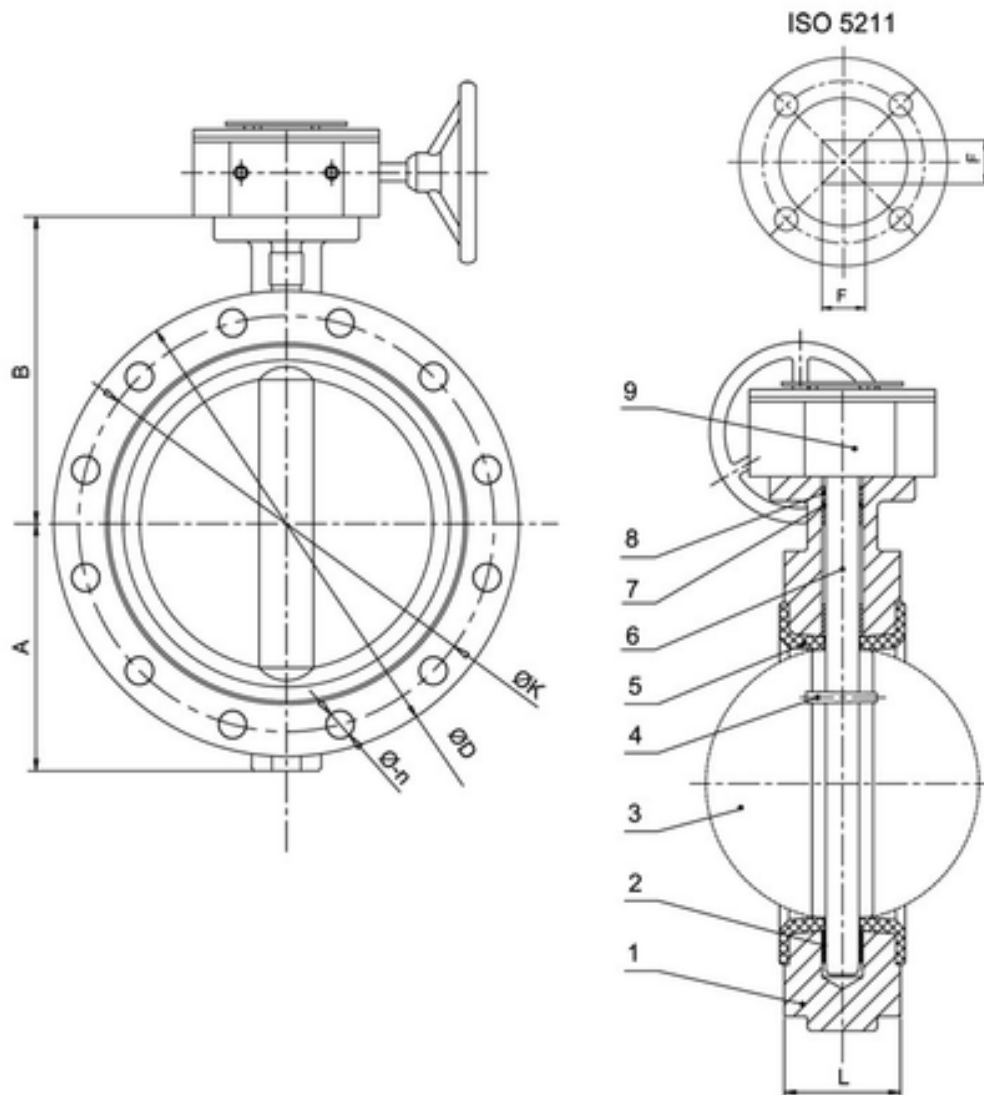


Install, operate and maintain in accordance with the manufacturer's manual supplied with the product.

JIS VALVE

# JIS Double Flanged Butterfly Valve

SECTION Technical drawing 1 REF EFC-127



Install, operate and maintain in accordance with the manufacturer's manual supplied with the product.

JIS VALVE

# JIS Double Flanged Butterfly Valve

SECTION Dimensions per size REF EFC-127

SIZE	L	A	B	F	5K D	5K K	5K ØXN	10K D	10K K	10K ØXN	TOP FLANGE
DN100	60	124	150	11	200	165	Ø19x8	210	175	Ø19x8	F07
DN125	100	144	171	14	235	200	Ø19x8	250	210	Ø23x8	F07
DN150	100	154	184	14	265	230	Ø19x8	280	240	Ø23x8	F07
DN200	100	187	214	17	320	280	Ø23x8	330	290	Ø23x12	F10
DN250	110	217	265	22	385	345	Ø23x12	400	355	Ø25x12	F10
DN300	110	243	288	22	430	390	Ø23x12	445	400	Ø25x16	F10
DN350	120	268	322	22	480	435	Ø25x12	490	445	Ø25x16	F10
DN400	130	301	370	27	540	495	Ø25x16	560	510	Ø27x16	F14
DN450	150	330	393	36	605	555	Ø25x16	620	565	Ø27x20	F14
DN500	160	358	432	36	655	605	Ø25x20	675	620	Ø27x20	F14
DN600	170	419	501	46	770	715	Ø27x20	795	730	Ø33x24	F16

Dimensions in millimetres unless stated otherwise. Values are nominal; tolerances confirmed at quote.

Install, operate and maintain in accordance with the manufacturer's manual supplied with the product.

JIS VALVE

# JIS 5K Cast Iron Gate Valve

REF **EFC-128** ISSUED 09 Jul 2026

## SPECIFICATIONS

Size	<b>DN50 to DN600</b>
Pressure	<b>5K</b>
End connection	<b>flanged (JIS B2240)</b>
Media	<b>water, air, gas, oil</b>

## ACTUATION

- manual handwheel — GG25 handwheel

## STANDARDS

Design	<b>JIS F7363</b>
Test	<b>JIS F7400</b>

## APPLICATIONS

- water
- air
- gas
- oil

## MATERIALS

Body	<b>GG25, GGG40</b>	Seat	<b>SS420, Bronze</b>
Wedge	<b>GG25, GGG40</b>	Wedge ring	<b>SS420, Bronze</b>
Stem nut	<b>GGG40, Bronze</b>	Gasket	<b>Non-Asbestos</b>
Bonnet	<b>GG25, GGG40</b>	Stud nut	<b>Galvanized Steel</b>
Stem	<b>SS420, Brass</b>	Stuffing box	<b>GG25, GGG40</b>
Packing	<b>Graphite</b>	Gland	<b>GG25, GGG40</b>
Indicator	<b>Bronze</b>	Handwheel	<b>GG25</b>

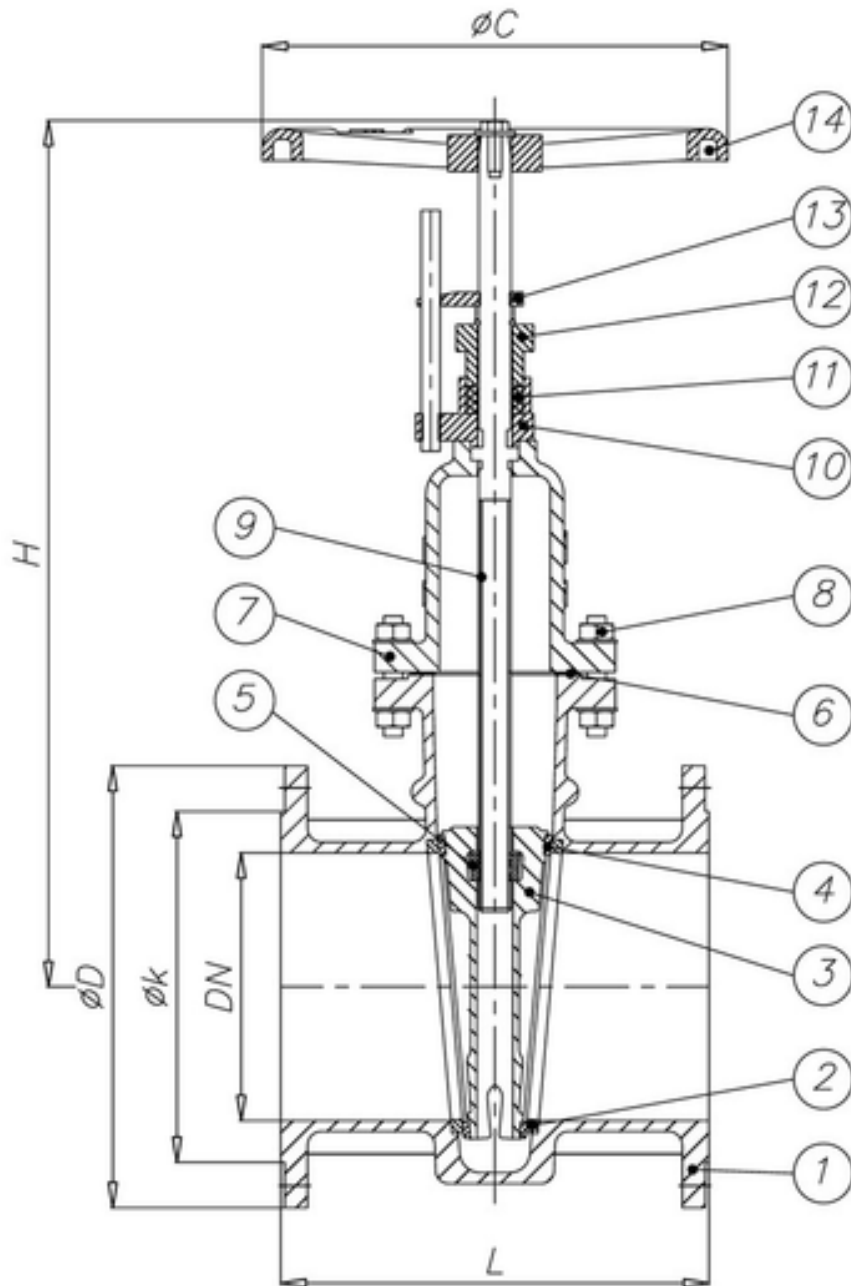


Install, operate and maintain in accordance with the manufacturer's manual supplied with the product.

JIS VALVE

# JIS 5K Cast Iron Gate Valve

SECTION Technical drawing 1 REF EFC-128



Install, operate and maintain in accordance with the manufacturer's manual supplied with the product.

JIS VALVE

# JIS 5K Cast Iron Gate Valve

SECTION Dimensions per size REF EFC-128

SIZE	L	H	C	D	K
DN50	180	235	160	130	105
DN65	190	260	160	155	130
DN80	200	290	200	180	145
DN100	230	310	220	200	165
DN125	250	435	250	235	200
DN150	270	455	250	265	230
DN200	290	580	300	320	280
DN250	330	720	400	385	345
DN300	370	815	400	430	390
DN350	410	925	520	480	435
DN400	470	1030	520	540	495
DN450	500	1075	520	605	555
DN500	550	1265	600	655	605
DN600	660	1300	600	770	715

Dimensions in millimetres unless stated otherwise. Values are nominal; tolerances confirmed at quote.

Install, operate and maintain in accordance with the manufacturer's manual supplied with the product.

JIS VALVE

# JIS 10K Cast Iron Gate Valve

REF **EFC-129** ISSUED 09 Jul 2026

## SPECIFICATIONS

Size	<b>DN50 to DN600</b>
Pressure	<b>10K</b>
End connection	<b>flanged (JIS B2240)</b>
Media	<b>water, air, gas, oil</b>

## ACTUATION

- manual handwheel — GG25 cast iron handwheel

## STANDARDS

Design	<b>JIS F7364</b>
Test	<b>JIS F7400</b>

## APPLICATIONS

- water
- air
- gas
- oil

## MATERIALS

Body	<b>GG25, GGG40</b>	Seat	<b>SS420, Bronze</b>
Wedge	<b>GG25, GGG40</b>	Wedge ring	<b>SS420, Bronze</b>
Stem nut	<b>GGG40, Bronze</b>	Gasket	<b>Non-Asbestos</b>
Bonnet	<b>GG25, GGG40</b>	Stud nut	<b>Galvanized Steel</b>
Stem	<b>SS420, Brass</b>	Stuffing box	<b>GG25, GGG40</b>
Packing	<b>Graphite</b>	Gland	<b>GG25, GGG40</b>
Indicator	<b>Bronze</b>	Handwheel	<b>GG25</b>

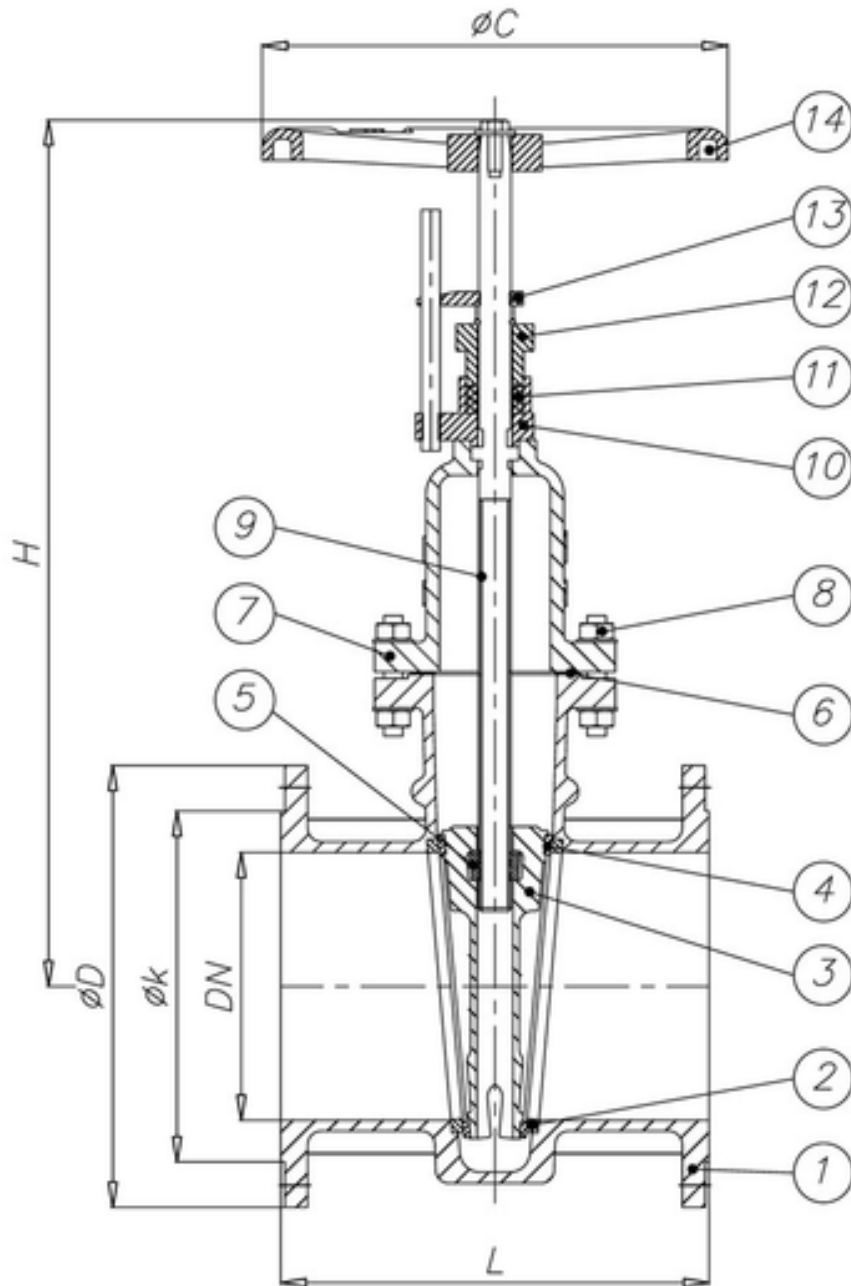


Install, operate and maintain in accordance with the manufacturer's manual supplied with the product.

JIS VALVE

# JIS 10K Cast Iron Gate Valve

SECTION Technical drawing 1 REF EFC-129



Install, operate and maintain in accordance with the manufacturer's manual supplied with the product.

JIS VALVE

# JIS 10K Cast Iron Gate Valve

SECTION Dimensions per size REF EFC-129

SIZE	L	H	C	D	K
DN50	180	235	160	155	120
DN65	190	260	160	175	140
DN80	200	290	200	185	150
DN100	230	310	220	210	175
DN125	250	435	250	250	210
DN150	270	455	250	280	240
DN200	290	580	300	330	290
DN250	330	720	400	400	355
DN300	370	815	400	445	400
DN350	410	925	520	490	445
DN400	470	1030	520	560	510
DN450	500	1075	520	620	565
DN500	550	1265	600	675	620
DN600	660	1300	600	795	730

Dimensions in millimetres unless stated otherwise. Values are nominal; tolerances confirmed at quote.

Install, operate and maintain in accordance with the manufacturer's manual supplied with the product.

JIS VALVE

# JIS 16K Cast Iron Gate Valve

REF **EFC-130** ISSUED **09 Jul 2026**

## SPECIFICATIONS

Size	<b>DN300 to DN400</b>
Pressure	<b>16K</b>
End connection	<b>flanged (JIS B2240)</b>
Media	<b>water, air, gas, oil</b>

## ACTUATION

- manual handwheel — GG25 handwheel

## STANDARDS

Design	<b>JIS F7369</b>
Test	<b>JIS F7400</b>

## APPLICATIONS

- water
- air
- gas
- oil

## MATERIALS

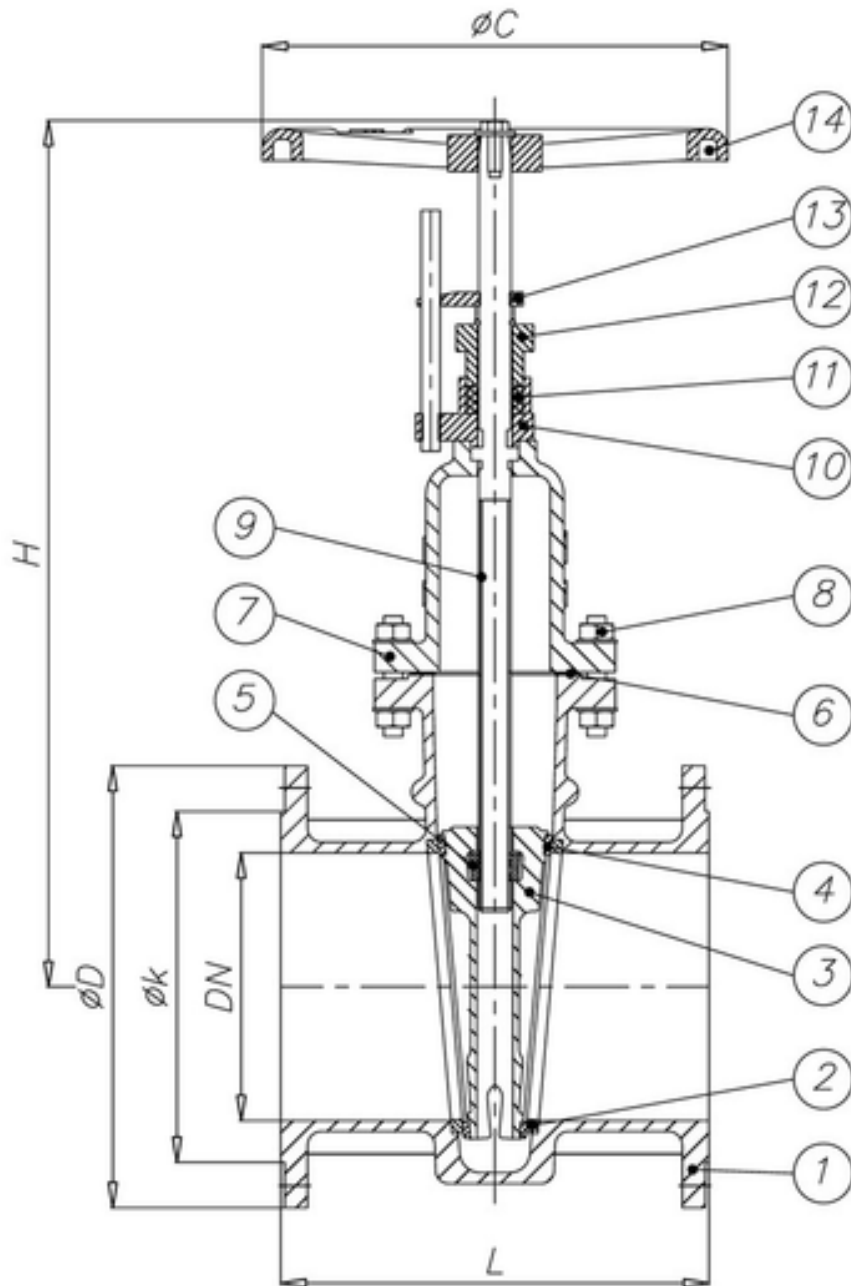
Body	<b>GG25, GGG40</b>	Seat	<b>SS420, Bronze</b>
Wedge	<b>GG25, GGG40</b>	Wedge ring	<b>SS420, Bronze</b>
Stem nut	<b>GGG40, Bronze</b>	Gasket	<b>Non-Asbestos</b>
Bonnet	<b>GG25, GGG40</b>	Stud nut	<b>Galvanized Steel</b>
Stem	<b>SS420, Brass</b>	Stuffing box	<b>GG25, GGG40</b>
Packing	<b>Graphite</b>	Gland	<b>GG25, GGG40</b>
Indicator	<b>Bronze</b>	Handwheel	<b>GG25</b>



Install, operate and maintain in accordance with the manufacturer's manual supplied with the product.

# JIS 16K Cast Iron Gate Valve

SECTION Technical drawing 1 REF EFC-130



Install, operate and maintain in accordance with the manufacturer's manual supplied with the product.

JIS VALVE

# JIS 16K Cast Iron Gate Valve

SECTION Dimensions per size REF EFC-130

SIZE	L	H	C	D	K
DN300	490	815	400	480	430
DN350	540	925	520	540	480
DN400	610	1030	520	605	540

*Dimensions in millimetres unless stated otherwise. Values are nominal; tolerances confirmed at quote.*

JIS VALVE

# JIS 10K Cast Steel Gate Valve

REF **EFC-131** ISSUED 09 Jul 2026

## SPECIFICATIONS

Size	<b>DN50 to DN500</b>
Pressure	<b>10K</b>
End connection	<b>flanged (JIS B2220)</b>
Media	<b>water, air, gas, oil</b>

## ACTUATION

- manual handwheel — GG25 handwheel

## STANDARDS

Design	<b>JIS F7360, JIS F7366</b>
Test	<b>JIS F7400</b>

## APPLICATIONS

- water
- air
- gas
- oil



Install, operate and maintain in accordance with the manufacturer's manual supplied with the product.

**MATERIALS**

Body	<b>Cast Steel</b>	Seat	<b>SS420, Bronze</b>
Wedge	<b>Cast Steel</b>	Wedge ring	<b>SS420, Bronze</b>
Stem nut	<b>GGG40, Bronze</b>	Gasket	<b>Non-Asbestos</b>
Bonnet	<b>Cast Steel</b>	Stud nut	<b>Galvanized Steel</b>
Stem	<b>SS420, Brass</b>	Stuffing box	<b>Cast Steel</b>
Packing	<b>Graphite</b>	Gland	<b>Cast Steel</b>
Indicator	<b>Bronze</b>	Handwheel	<b>GG25</b>

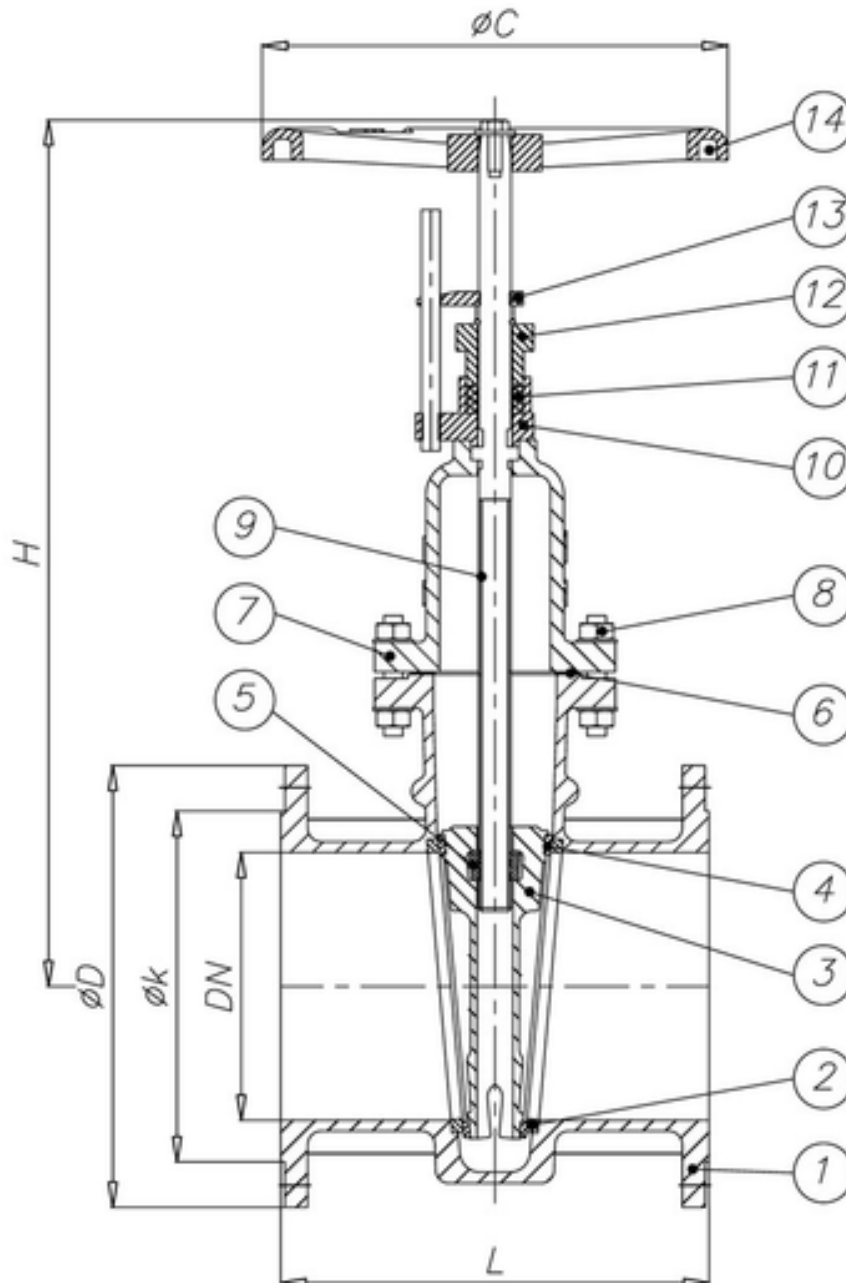
**FEATURES**

- Rising stem design with stuffing box packing
- Wedge gate with separate wedge ring
- Graphite stem packing
- Non-asbestos bonnet gasket
- Position indicator
- JIS flanged ends to JIS B2220-10K

JIS VALVE

# JIS 10K Cast Steel Gate Valve

SECTION Technical drawing 1 REF EFC-131



Install, operate and maintain in accordance with the manufacturer's manual supplied with the product.

JIS VALVE

# JIS 10K Cast Steel Gate Valve

SECTION Dimensions per size REF EFC-131

SIZE	L	H	C	D	K	ØXN
DN50	200	235	160	155	120	Ø19x4
DN65	220	260	160	175	140	Ø19x4
DN80	230	290	200	185	150	Ø19x8
DN100	250	310	220	210	175	Ø19x8
DN125	270	435	250	250	210	Ø23x8
DN150	290	455	250	280	240	Ø23x8
DN200	310	580	300	330	290	Ø23x12
DN250	340	720	400	400	355	Ø25x12
DN300	380	815	400	445	400	Ø25x16
DN350	420	925	520	490	445	Ø25x16
DN400	480	1030	520	560	510	Ø27x16
DN450	450	1075	520	620	565	Ø27x20
DN500	500	1265	600	675	620	Ø27x20

Dimensions in millimetres unless stated otherwise. Values are nominal; tolerances confirmed at quote.

Install, operate and maintain in accordance with the manufacturer's manual supplied with the product.

JIS VALVE

# JIS 5K Straight Globe Valve

REF **EFC-132** ISSUED **09 Jul 2026**

## SPECIFICATIONS

Size	<b>DN15 to DN65</b>
Pressure	<b>5K</b>
End connection	<b>flanged (JIS B2240)</b>
Temperature	<b>null°C to 205°C</b>
Media	<b>steam, water, air, gas, oil, pulsation water</b>

## ACTUATION

- manual handwheel — GG 25 handwheel

## STANDARDS

Design	<b>JIS F7301, JIS F7351</b>
Test	<b>JIS F7400</b>

## APPLICATIONS

- air
- gas
- oil
- pulsation water
- steam
- water



Install, operate and maintain in accordance with the manufacturer's manual supplied with the product.

**MATERIALS**

Body	<b>Bronze Rg5</b>	Bonnet	<b>Bronze Rg5</b>
Disc	<b>Brass, Bronze</b>	Disc nut	<b>Brass</b>
Packing gland	<b>Brass</b>	Gland nut	<b>Brass</b>
Stem	<b>Brass</b>	Handwheel	<b>GG 25</b>
Nut	<b>Brass, SS 304</b>	Lock plate	<b>Brass, SS 304</b>
Screw	<b>Brass, SS 304</b>	Packing	<b>Graphite</b>
Gasket	<b>Non-Asbestos</b>	Stud nut	<b>Brass, SS 304</b>

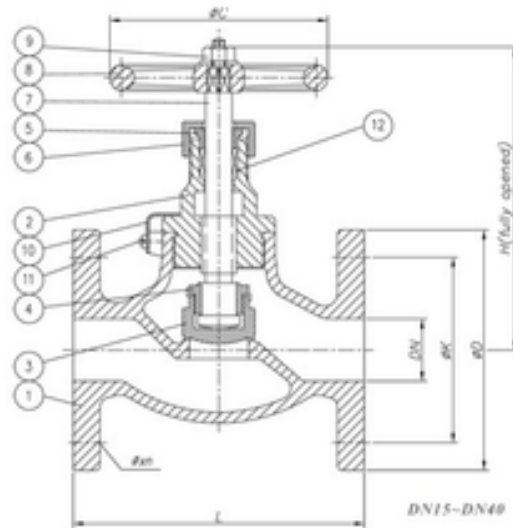
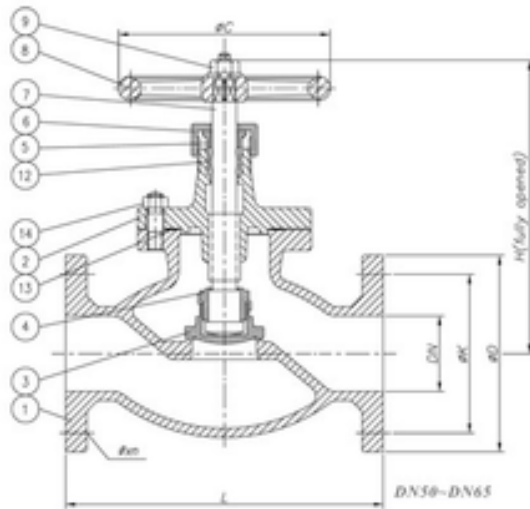
**FEATURES**

- Available in STOP (JIS F7301) and Screw Down Non Return (SDNR, JIS F7351) configurations
- Graphite packing
- Non-asbestos gasket
- Position indicator fitted to bonnet
- Bronze Rg5 body and bonnet construction

JIS VALVE

# JIS 5K Straight Globe Valve

SECTION Technical drawing 1 REF EFC-132



Install, operate and maintain in accordance with the manufacturer's manual supplied with the product.

JIS VALVE

# JIS 5K Straight Globe Valve

SECTION Dimensions per size REF EFC-132

SIZE	L	H	C	D	K	WEIGHT
DN15	100	130	80	80	60	2.02 kg
DN20	110	140	100	85	65	2.86 kg
DN25	120	160	125	95	75	3.54 kg
DN32	140	170	125	115	90	5 kg
DN40	160	190	140	120	95	6.48 kg
DN50	210	235	140	130	105	11.7 kg
DN65	250	260	160	155	130	17 kg

Dimensions in millimetres unless stated otherwise. Values are nominal; tolerances confirmed at quote.

JIS VALVE

# JIS 16K Straight Globe Valve

REF **EFC-133** ISSUED 09 Jul 2026

## SPECIFICATIONS

Size	<b>DN15 to DN40</b>
Pressure	<b>16K</b>
End connection	<b>flanged (JIS B2240)</b>
Temperature	<b>null°C to 205°C</b>
Media	<b>air, gas, oil, pulsation water, steam, water</b>

## ACTUATION

- manual handwheel — GG 25 handwheel

## STANDARDS

Design	<b>JIS F7303, JIS F7409 SDNR</b>
Test	<b>JIS F7400</b>

## APPLICATIONS

- marine
- steam systems
- water systems
- air systems
- gas systems
- oil systems



Install, operate and maintain in accordance with the manufacturer's manual supplied with the product.

**MATERIALS**

Body	<b>Bronze Rg5</b>	Bonnet	<b>Bronze Rg5</b>
Disc	<b>Brass, Bronze</b>	Disc nut	<b>Brass</b>
Packing gland	<b>Brass</b>	Gland nut	<b>Brass</b>
Stem	<b>Brass</b>	Handwheel	<b>GG 25</b>
Nut	<b>Brass, SS 304</b>	Lock plate	<b>Brass, SS 304</b>
Screw	<b>Brass, SS 304</b>	Packing	<b>Graphite</b>

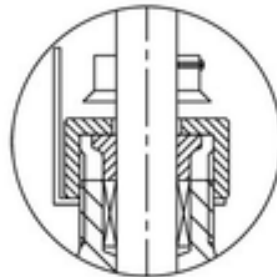
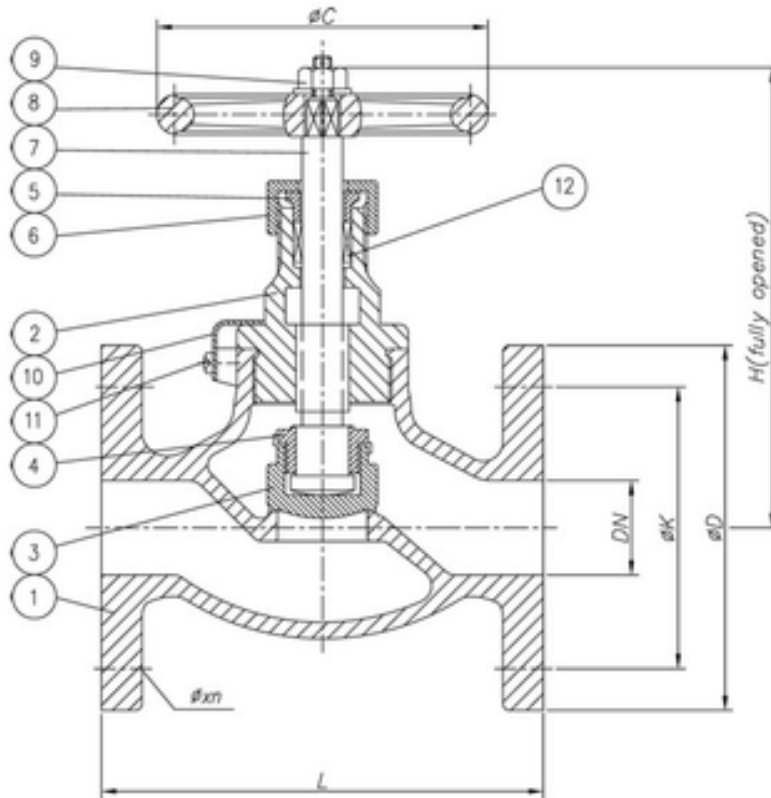
**FEATURES**

- Straight globe pattern
- Available as STOP valve (JIS F7303) and Screw Down Non Return variant (JIS F7409 SDNR)
- Position indicator
- Graphite packing
- Flanged ends to JIS B2240 16K

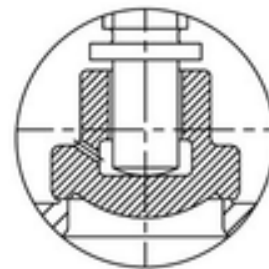
JIS VALVE

# JIS 16K Straight Globe Valve

SECTION Technical drawing 1 REF EFC-133



Indicator



Screw Down Non Return  
(SDNR)

Install, operate and maintain in accordance with the manufacturer's manual supplied with the product.

JIS VALVE

# JIS 16K Straight Globe Valve

SECTION Dimensions per size REF EFC-133

SIZE	L	H	C	D	K	WEIGHT
DN15	110	130	80	95	70	2.76 kg
DN20	120	140	100	100	75	3.72 kg
DN25	130	160	125	125	90	5.2 kg
DN32	160	170	125	135	100	6.91 kg
DN40	180	190	140	140	105	8.43 kg

Dimensions in millimetres unless stated otherwise. Values are nominal; tolerances confirmed at quote.

JIS VALVE

# JIS 5K Angle Globe Valve

REF **EFC-134** ISSUED **09 Jul 2026**

## SPECIFICATIONS

Size	<b>DN15 to DN65</b>
Pressure	<b>5K</b>
End connection	<b>flanged (JIS B2240)</b>
Temperature	<b>-999°C to 205°C</b>
Media	<b>air, gas, oil, pulsation water, steam, water</b>

## ACTUATION

- manual handwheel — GG 25 handwheel

## STANDARDS

Design	<b>JIS F7302, JIS F7352</b>
Test	<b>JIS F7400</b>

## APPLICATIONS

- air
- gas
- oil
- pulsation water
- steam
- water



Install, operate and maintain in accordance with the manufacturer's manual supplied with the product.

**MATERIALS**

Body	<b>Bronze Rg5</b>	Bonnet	<b>Bronze Rg5</b>
Disc	<b>Brass, Bronze</b>	Disc nut	<b>Brass</b>
Packing gland	<b>Brass</b>	Gland nut	<b>Brass</b>
Stem	<b>Brass</b>	Handwheel	<b>GG 25</b>
Nut	<b>Brass, SS 304</b>	Lock plate	<b>Brass, SS 304</b>
Screw	<b>Brass, SS 304</b>	Packing	<b>Graphite</b>
Gasket	<b>Non-Asbestos</b>	Stud nut	<b>Brass, SS 304</b>

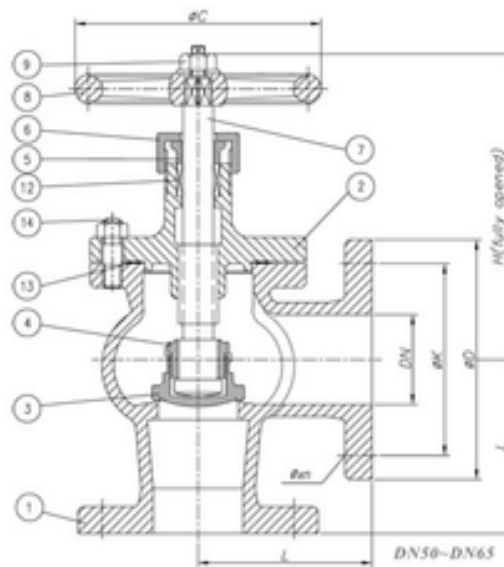
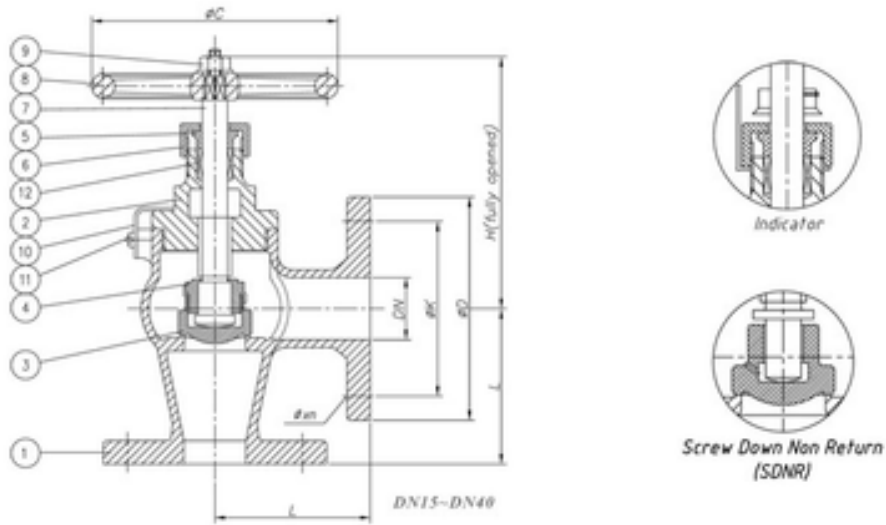
**FEATURES**

- Available in STOP (JIS F7302) and Screw Down Non Return SDNR (JIS F7352) configurations
- Angle pattern body design
- Flanged ends to JIS B2240-5K
- Graphite packing
- Non-asbestos gasket

JIS VALVE

# JIS 5K Angle Globe Valve

SECTION Technical drawing 1 REF EFC-134



Install, operate and maintain in accordance with the manufacturer's manual supplied with the product.

JIS VALVE

# JIS 5K Angle Globe Valve

SECTION Dimensions per size REF EFC-134

SIZE	L	H	C	D	K	ØXN	WEIGHT
DN15	55	120	80	80	60	Ø12x4	1.98 kg
DN20	60	130	100	85	65	Ø12x4	2.73 kg
DN25	65	145	125	95	75	Ø12x4	3.44 kg
DN32	80	150	125	115	90	Ø15x4	4.77 kg
DN40	85	165	140	120	95	Ø15x4	5.99 kg
DN50	100	200	140	130	105	Ø15x4	10.1 kg
DN65	115	220	160	155	130	Ø15x4	15.6 kg

Dimensions in millimetres unless stated otherwise. Values are nominal; tolerances confirmed at quote.

JIS VALVE

# JIS 5K Straight Globe Valve

REF **EFC-135** ISSUED **09 Jul 2026**

## SPECIFICATIONS

Size	<b>DN50 to DN400</b>
Pressure	<b>5K</b>
End connection	<b>flanged (JIS B2239)</b>
Media	<b>water, hot water, cold water, oil, steam</b>

## ACTUATION

- manual handwheel — GG 25 handwheel

## STANDARDS

Design	<b>JIS F7305, JIS F7353</b>
--------	-----------------------------

## APPLICATIONS

- aboard ships
- hot and cold water service
- oil service
- steam service



Install, operate and maintain in accordance with the manufacturer's manual supplied with the product.

**MATERIALS**

Body	<b>GG 25, GGG 40, GS-C25</b>	Seat	<b>Bronze Rg5, 13Cr, SS 304</b>
Disc	<b>GG 25, GGG 40, GS-C25</b>	Disc nut	<b>Brass, 13Cr</b>
Gasket	<b>Klingerite</b>	Bonnet	<b>GG 25, GGG 40, GS-C25</b>
Packing	<b>Graphite</b>	Gland	<b>GG 25, GGG 40, GS-C25</b>
Bolt nut	<b>Galvanized Steel</b>	Stem	<b>CuZn35Ni, 13Cr, SS 304</b>
Stud nut	<b>Galvanized Steel</b>	Handwheel	<b>GG 25</b>

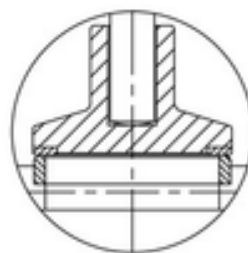
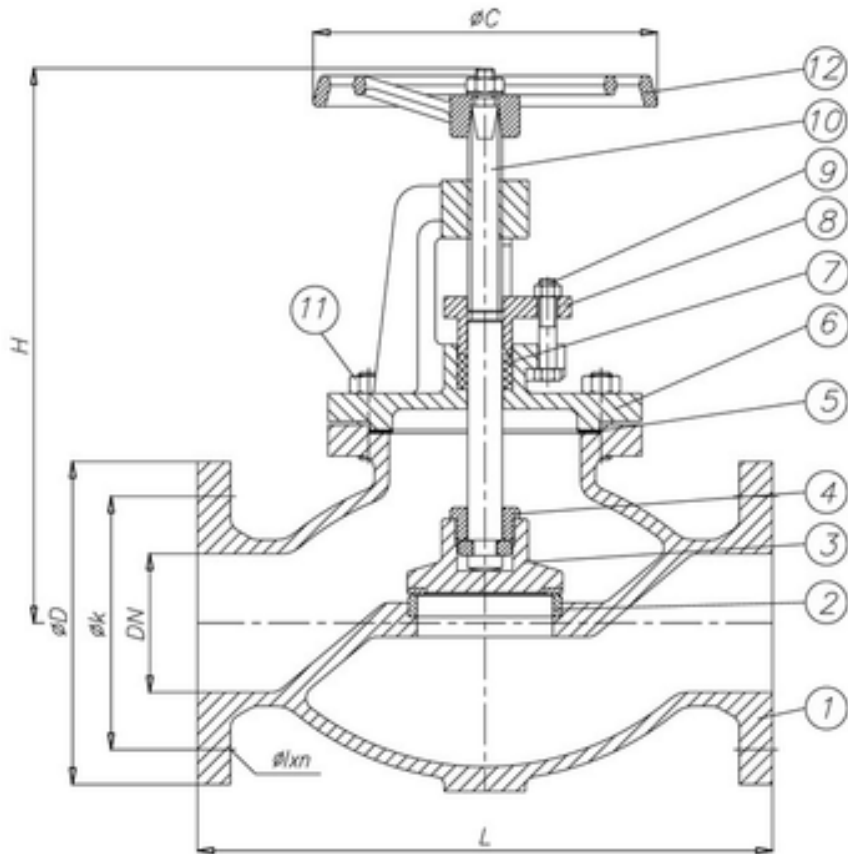
**FEATURES**

- Available in STOP (JIS F7305) and Screw Down Non Return / SDNR (JIS F7353) configurations
- Flanged ends to JIS B2239-5K
- Graphite packing
- Klingerite bonnet gasket
- Multiple body material options: grey cast iron, ductile iron, carbon steel casting

JIS VALVE

# JIS 5K Straight Globe Valve

SECTION Technical drawing 1 REF EFC-135



*Screw Down Non Return  
(SDNR)*

Install, operate and maintain in accordance with the manufacturer's manual supplied with the product.

JIS VALVE

# JIS 5K Straight Globe Valve

SECTION Dimensions per size REF EFC-135

SIZE	L	H	C	D	K	ØXN	WEIGHT
DN50	210	260	160	130	105	Ø15x4	12.4 kg
DN65	250	300	180	155	130	Ø15x4	18.2 kg
DN80	280	315	200	180	145	Ø19x4	24.1 kg
DN100	340	340	220	200	165	Ø19x8	31.1 kg
DN125	410	400	250	235	200	Ø19x8	47.5 kg
DN150	480	460	300	265	230	Ø19x8	—
DN200	570	550	400	320	280	Ø23x8	—
DN250	740	680	400	385	345	Ø23x12	—
DN300	840	770	500	430	390	Ø23x12	—
DN350	940	840	500	480	435	Ø25x12	—
DN400	1050	940	630	540	495	Ø25x16	—

Dimensions in millimetres unless stated otherwise. Values are nominal; tolerances confirmed at quote.

Install, operate and maintain in accordance with the manufacturer's manual supplied with the product.

JIS VALVE

# JIS 10K Straight Globe Valve

REF **EFC-136** ISSUED **09 Jul 2026**

## SPECIFICATIONS

Size	<b>DN50 to DN300</b>
Pressure	<b>10K</b>
End connection	<b>flanged (JIS B2239)</b>
Media	<b>water, hot water, cold water, oil, steam</b>

## ACTUATION

- handwheel — GG 25 cast iron handwheel

## STANDARDS

Design	<b>JIS F7307 STOP, JIS F7375 SDNR</b>
Test	<b>JIS F7400</b>

## APPLICATIONS

- aboard ships
- hot and cold water systems
- oil systems
- steam systems



Install, operate and maintain in accordance with the manufacturer's manual supplied with the product.

**MATERIALS**

Body	<b>GG 25, GGG 40, GS-C25</b>	Seat	<b>Bronze Rg5, 13Cr, SS 304</b>
Disc	<b>GG 25, GGG 40, GS-C25</b>	Disc nut	<b>Brass, 13Cr</b>
Gasket	<b>Klingerite</b>	Bonnet	<b>GG 25, GGG 40, GS-C25</b>
Packing	<b>Graphite</b>	Gland	<b>GG 25, GGG 40, GS-C25</b>
Bolt nut	<b>Galvanized Steel</b>	Stem	<b>CuZn35Ni, 13Cr, SS 304</b>
Stud nut	<b>Galvanized Steel</b>	Handwheel	<b>GG 25</b>

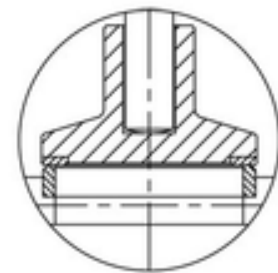
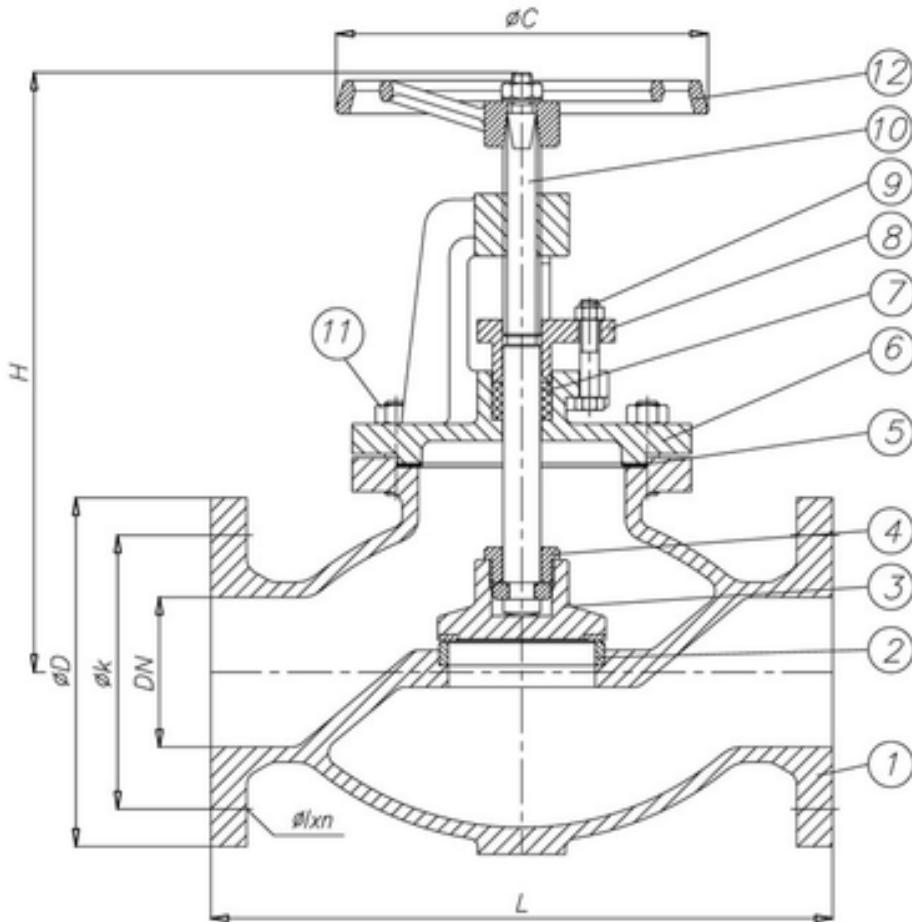
**FEATURES**

- Straight (inline) flow pattern globe valve
- Available as STOP (JIS F7307) or Screw Down Non Return / SDNR (JIS F7375) configuration
- Flanged ends to JIS B2239 10K
- Graphite packing for stem sealing
- Klingerite bonnet gasket

JIS VALVE

# JIS 10K Straight Globe Valve

SECTION Technical drawing 1 REF EFC-136



*Screw Down Non Return  
(SDNR)*

Install, operate and maintain in accordance with the manufacturer's manual supplied with the product.

JIS VALVE

# JIS 10K Straight Globe Valve

SECTION Dimensions per size REF EFC-136

SIZE	L	H	C	D	K	ØXN	WEIGHT
DN50	220	260	160	155	120	Ø19x4	12.4 kg
DN65	270	300	180	175	140	Ø19x4	18.2 kg
DN80	300	315	200	185	150	Ø19x8	24.1 kg
DN100	350	340	220	210	175	Ø19x8	31.1 kg
DN125	420	400	250	250	210	Ø23x8	47.5 kg
DN150	490	460	300	280	240	Ø23x8	—
DN200	570	550	400	330	290	Ø23x12	—
DN250	740	680	400	400	355	Ø25x12	—
DN300	840	770	500	445	400	Ø25x16	—

Dimensions in millimetres unless stated otherwise. Values are nominal; tolerances confirmed at quote.

JIS VALVE

# JIS 16K Straight Globe Valve

REF **EFC-137** ISSUED 09 Jul 2026

## SPECIFICATIONS

Size	<b>DN50 to DN200</b>
Pressure	<b>16K</b>
End connection	<b>flanged (JIS B2239)</b>
Media	<b>water, oil, steam</b>

## STANDARDS

Design	<b>JIS F7309 STOP, JIS F7377 SDNR</b>
Test	<b>JIS F7400</b>

## APPLICATIONS

- Marine / aboard ships
- hot water
- cold water
- oil
- steam

## MATERIALS

Body	<b>GG 25, GGG 40, GS-C25</b>	Seat	<b>Bronze Rg5, 13Cr, SS 304</b>
Disc	<b>GG 25, GGG 40, GS-C25</b>	Disc nut	<b>Brass, 13Cr</b>
Gasket	<b>Klingerite</b>	Bonnet	<b>GG 25, GGG 40, GS-C25</b>
Packing	<b>Graphite</b>	Gland	<b>GG 25, GGG 40, GS-C25</b>
Bolt nut	<b>Galvanized Steel</b>	Stem	<b>CuZn35Ni, 13Cr, SS 304</b>
Stud nut	<b>Galvanized Steel</b>	Handwheel	<b>GG 25</b>

## FEATURES

- Available as STOP valve (JIS F7309) or Screw Down Non Return valve (JIS F7377 SDNR)
- Flanged ends to JIS B2239 16K
- Straight (inline) flow path configuration
- Graphite stem packing

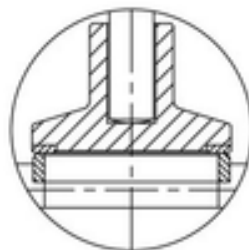
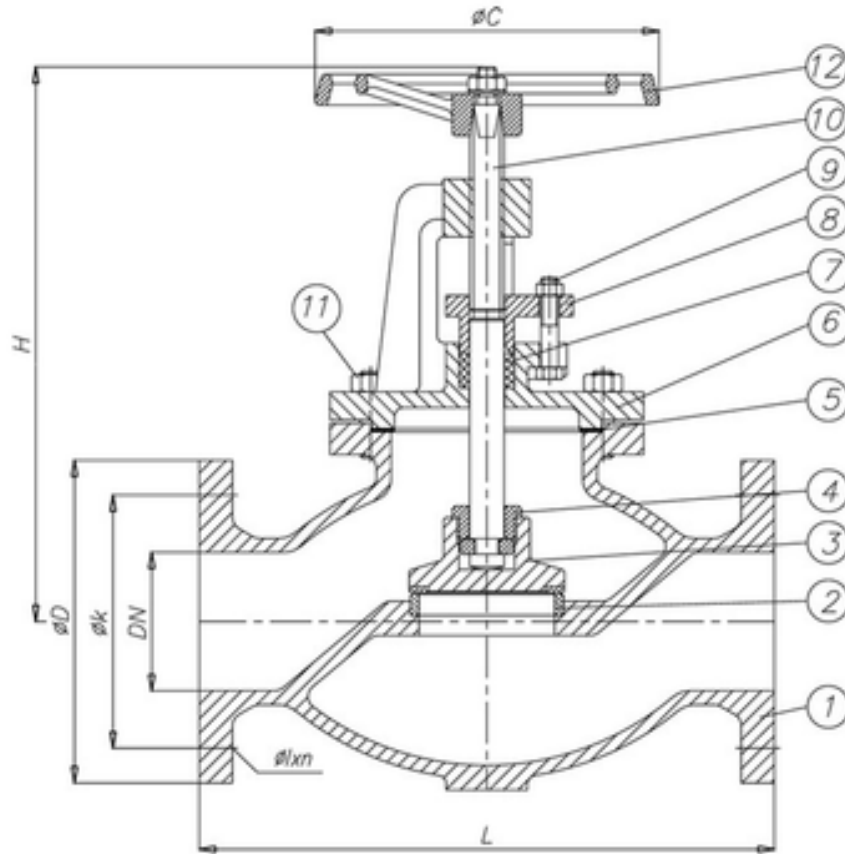
Install, operate and maintain in accordance with the manufacturer's manual supplied with the product.



JIS VALVE

# JIS 16K Straight Globe Valve

SECTION Technical drawing 1 REF EFC-137



*Screw Down Non Return  
(SDNR)*

Install, operate and maintain in accordance with the manufacturer's manual supplied with the product.

JIS VALVE

# JIS 16K Straight Globe Valve

SECTION Dimensions per size REF EFC-137

SIZE	L	H	C	D	K	ØXN	IMPA STOP	IMPA SDNR	WEIGHT
DN50	220	260	160	155	120	Ø19x8	750261	751151	12.1 kg
DN65	270	300	180	175	140	Ø19x8	750262	751152	17.9 kg
DN80	300	315	200	200	160	Ø23x8	750263	751153	25.7 kg
DN100	350	340	220	225	185	Ø23x8	750264	751154	33.9 kg
DN125	430	400	250	270	225	Ø25x8	750265	751155	54 kg
DN150	500	460	300	305	260	Ø25x12	750266	751156	—
DN200	570	550	400	350	305	Ø25x12	750267	—	—

Dimensions in millimetres unless stated otherwise. Values are nominal; tolerances confirmed at quote.

JIS VALVE

# JIS 5K Angle Globe Valve

REF **EFC-138** ISSUED **09 Jul 2026**

## SPECIFICATIONS

Size	<b>DN50 to DN400</b>
Pressure	<b>5K</b>
End connection	<b>flanged (JIS B2239)</b>
Media	<b>water, hot water, cold water, oil, steam</b>

## ACTUATION

- manual handwheel — GG 25 handwheel

## STANDARDS

Design	<b>JIS F7306, JIS F7354</b>
Test	<b>JIS F7400</b>

## APPLICATIONS

- Aboard ships
- Marine hot and cold water systems
- Marine oil systems
- Marine steam systems



Install, operate and maintain in accordance with the manufacturer's manual supplied with the product.

**MATERIALS**

Body	<b>GG 25, GGG 40, GS-C25</b>	Seat	<b>Bronze Rg5, 13Cr, SS 304</b>
Disc	<b>GG 25, GGG 40, GS-C25</b>	Disc nut	<b>Brass, 13Cr</b>
Gasket	<b>Klingerite</b>	Bonnet	<b>GG 25, GGG 40, GS-C25</b>
Packing	<b>Graphite</b>	Gland	<b>GG 25, GGG 40, GS-C25</b>
Bolt nut	<b>Galvanized Steel</b>	Stem	<b>CuZn35Ni, 13Cr, SS 304</b>
Stud nut	<b>Galvanized Steel</b>	Handwheel	<b>GG 25</b>

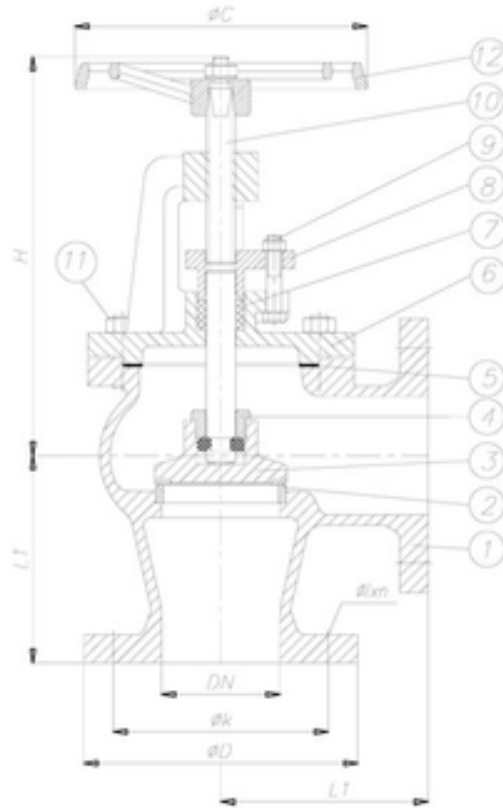
**FEATURES**

- Angle pattern globe valve body configuration
- Available as STOP (JIS F7306) or Screw Down Non Return / SDNR (JIS F7354) variant
- Graphite packing for gland seal
- Klingerite bonnet gasket
- Multiple body material options: grey cast iron, ductile cast iron, and cast carbon steel

JIS VALVE

# JIS 5K Angle Globe Valve

SECTION Technical drawing 1 REF EFC-138



*Screw Down Non Return  
(SDNR)*

Install, operate and maintain in accordance with the manufacturer's manual supplied with the product.

JIS VALVE

# JIS 5K Angle Globe Valve

SECTION Dimensions per size REF EFC-138

SIZE	L	H	C	D	K	OXN	WEIGHT
DN50	100	230	160	130	105	Ø15x4	9.5 kg
DN65	115	270	180	155	130	Ø15x4	13 kg
DN80	130	280	200	180	145	Ø19x4	19.3 kg
DN100	150	305	220	200	165	Ø19x8	23.5 kg
DN125	170	355	250	235	200	Ø19x8	—
DN150	190	390	300	265	230	Ø19x8	—
DN200	220	485	400	320	280	Ø23x8	—
DN250	275	540	400	385	345	Ø23x12	—
DN300	310	610	500	430	390	Ø23x12	—
DN350	360	690	500	480	435	Ø25x12	—
DN400	395	770	630	540	495	Ø25x16	—

Dimensions in millimetres unless stated otherwise. Values are nominal; tolerances confirmed at quote.

Install, operate and maintain in accordance with the manufacturer's manual supplied with the product.

JIS VALVE

# JIS 10K Angle Globe Valve

REF **EFC-139** ISSUED **09 Jul 2026**

## SPECIFICATIONS

Size	<b>DN50 to DN400</b>
Pressure	<b>10K</b>
End connection	<b>flanged (JIS B2239)</b>
Media	<b>water, hot water, cold water, oil, steam</b>

## ACTUATION

- manual handwheel — GG 25 handwheel

## STANDARDS

Design	<b>JIS F7308 STOP, JIS F7376 SDNR</b>
Test	<b>JIS F7400</b>

## APPLICATIONS

- Aboard ships for hot and cold water
- Oil service
- Steam service
- Marine



Install, operate and maintain in accordance with the manufacturer's manual supplied with the product.

**MATERIALS**

Body	<b>GG 25, GGG 40, GS-C25</b>	Seat	<b>Bronze Rg5, 13Cr, SS 304</b>
Disc	<b>GG 25, GGG 40, GS-C25</b>	Disc nut	<b>Brass, 13Cr</b>
Gasket	<b>Klingerite</b>	Bonnet	<b>GG 25, GGG 40, GS-C25</b>
Packing	<b>Graphite</b>	Gland	<b>GG 25, GGG 40, GS-C25</b>
Bolt nut	<b>Galvanized Steel</b>	Stem	<b>CuZn35Ni, 13Cr, SS 304</b>
Stud nut	<b>Galvanized Steel</b>	Handwheel	<b>GG 25</b>

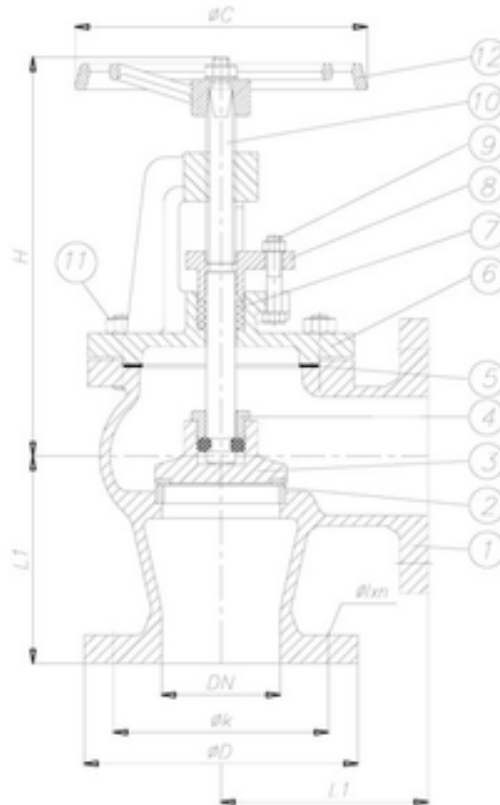
**FEATURES**

- Angle body configuration
- Available as Stop (STOP) variant per JIS F7308
- Available as Screw Down Non Return (SDNR) variant per JIS F7376
- Flanged ends to JIS B2239 10K
- Graphite packing
- Klingerite gasket

JIS VALVE

# JIS 10K Angle Globe Valve

SECTION Technical drawing 1 REF EFC-139



*Screw Down Non Return  
(SDNR)*

Install, operate and maintain in accordance with the manufacturer's manual supplied with the product.

JIS VALVE

# JIS 10K Angle Globe Valve

SECTION Dimensions per size REF EFC-139

SIZE	L	H	C	D	K	ØXN	WEIGHT
DN50	120	230	160	155	120	Ø19x4	9.5 kg
DN65	130	270	180	175	140	Ø19x4	13 kg
DN80	140	280	200	185	150	Ø19x8	19.3 kg
DN100	160	305	220	210	175	Ø19x8	23.5 kg
DN125	180	355	250	250	210	Ø23x8	—
DN150	205	390	300	280	240	Ø23x8	—
DN200	230	485	400	330	290	Ø23x12	—
DN250	290	540	400	400	355	Ø25x12	—
DN300	320	610	500	445	400	Ø25x16	—
DN350	360	690	500	490	445	Ø25x16	—
DN400	420	770	630	560	510	Ø27x16	—

Dimensions in millimetres unless stated otherwise. Values are nominal; tolerances confirmed at quote.

Install, operate and maintain in accordance with the manufacturer's manual supplied with the product.

JIS VALVE

# JIS 16K Angle Globe Valve

REF **EFC-140** ISSUED **09 Jul 2026**

## SPECIFICATIONS

Size	<b>DN50 to DN200</b>
Pressure	<b>16K</b>
End connection	<b>flanged (JIS B2239)</b>
Media	<b>water, hot water, cold water, oil, steam</b>

## ACTUATION

- manual handwheel — GG 25 handwheel

## STANDARDS

Design	<b>JIS F7310, JIS F7378</b>
Test	<b>JIS F7400</b>

## APPLICATIONS

- Aboard ships for hot and cold water, oil, and steam

## MATERIALS

Body	<b>GG 25, GGG 40, GS-C25</b>	Seat	<b>Bronze Rg5, 13Cr, SS 304</b>
Disc	<b>GG 25, GGG 40, GS-C25</b>	Disc nut	<b>Brass, 13Cr</b>
Gasket	<b>Klingerite</b>	Bonnet	<b>GG 25, GGG 40, GS-C25</b>
Packing	<b>Graphite</b>	Gland	<b>GG 25, GGG 40, GS-C25</b>
Bolt nut	<b>Galvanized Steel</b>	Stem	<b>CuZn35Ni, 13Cr, SS 304</b>
Stud nut	<b>Galvanized Steel</b>	Handwheel	<b>GG 25</b>

## FEATURES

- Angle-pattern globe valve configuration
- Available as Stop valve (STOP) to JIS F7310
- Available as Screw Down Non Return valve (SDNR) to JIS F7378
- Flanged ends to JIS B2239 16K
- Graphite packing

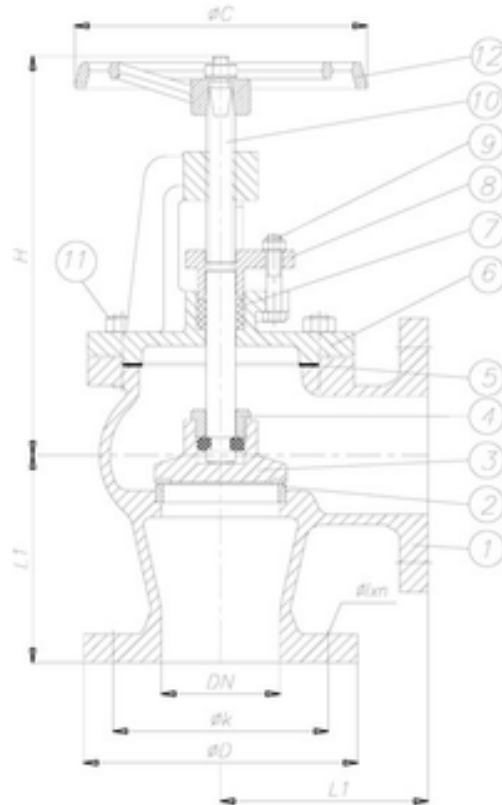
Install, operate and maintain in accordance with the manufacturer's manual supplied with the product.



JIS VALVE

# JIS 16K Angle Globe Valve

SECTION Technical drawing 1 REF EFC-140



*Screw Down Non Return  
(SDNR)*

Install, operate and maintain in accordance with the manufacturer's manual supplied with the product.

JIS VALVE

# JIS 16K Angle Globe Valve

SECTION Dimensions per size REF EFC-140

SIZE	L	H	C	D	K	IMPA STOP	IMPA SDNR	WEIGHT
DN50	120	230	160	155	120	750271	751161	11.1 kg
DN65	130	270	180	175	140	750272	751162	15.6 kg
DN80	150	280	200	200	160	750273	751163	22.6 kg
DN100	170	305	220	225	185	750274	751164	29.5 kg
DN125	200	355	250	270	225	750275	751165	—
DN150	225	390	300	305	260	750276	751166	—
DN200	250	485	400	350	305	750277	—	—

Dimensions in millimetres unless stated otherwise. Values are nominal; tolerances confirmed at quote.

Install, operate and maintain in accordance with the manufacturer's manual supplied with the product.

JIS VALVE

# JIS Straight Type Storm Valve

REF **EFC-141** ISSUED **09 Jul 2026**

## SPECIFICATIONS

Size	<b>DN50 to DN150</b>
Pressure	<b>5K to 10K</b>
End connection	<b>flanged (JIS B2239) / flanged (JIS B2239)</b>
Media	<b>wastewater</b>

## ACTUATION

- manual handwheel — Cast iron handwheel with stainless steel spindle

## STANDARDS

Design	<b>JIS F3060</b>
Test	<b>JIS F7400</b>

## APPLICATIONS

- Aboard ships for wastewater



**MATERIALS**

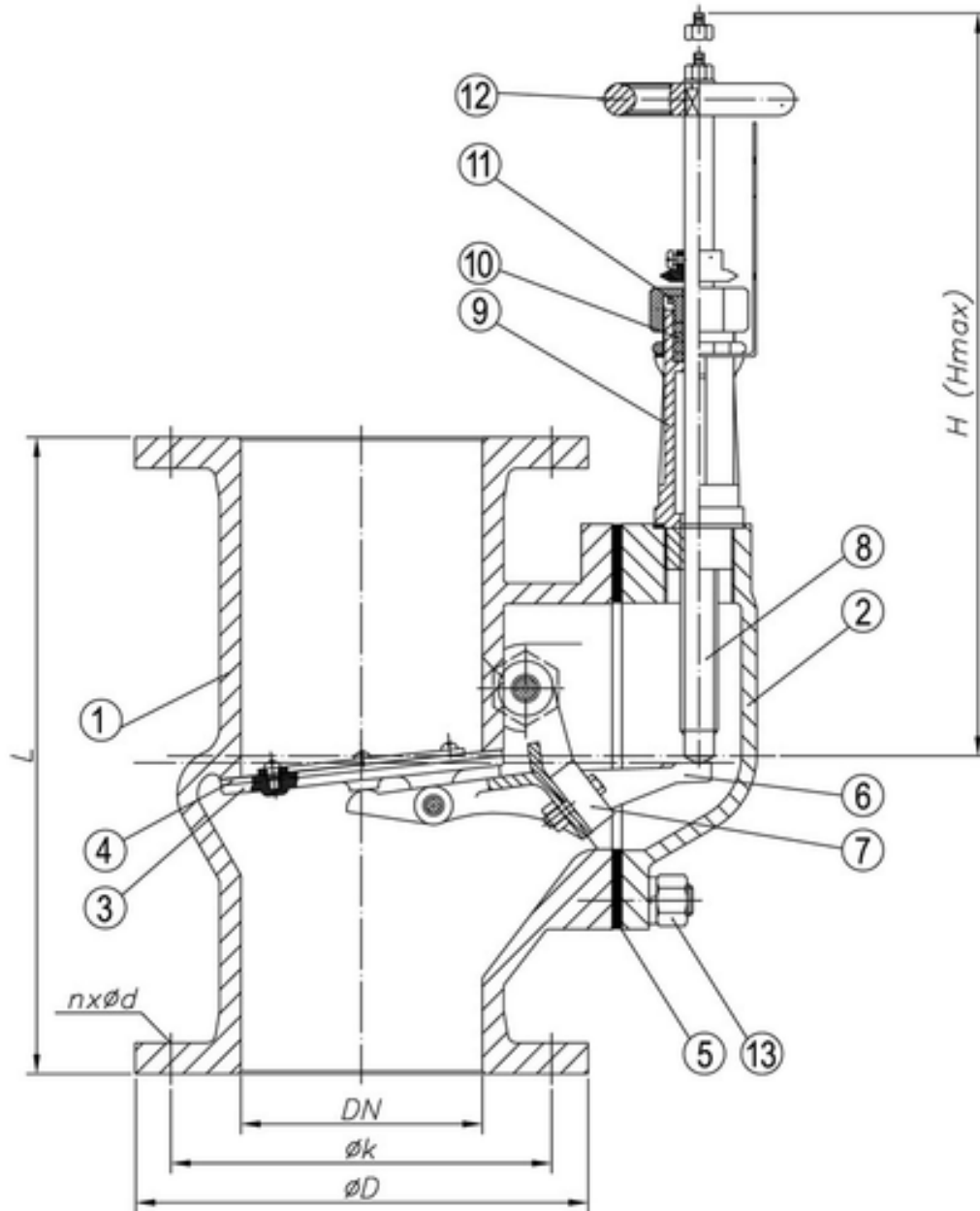
Body	<b>Cast Steel</b>	Bonnet	<b>Cast Steel</b>
Disc	<b>Bronze</b>	Gasket	<b>NBR, Non-Asbestos</b>
Arm	<b>Bronze</b>	Counterweight	<b>Cast Iron</b>
Stem	<b>Stainless Steel</b>	Spindle box	<b>Bronze</b>
Packing	<b>Graphite</b>	Gland	<b>Brass</b>
Handwheel	<b>Cast Iron</b>	Stud nut	<b>Carbon Steel</b>

**FEATURES**

- Straight-type body configuration
- Counterweight-assisted disc closure
- Spindle box with bronze bushing
- Graphite packing
- Available in JIS 5K and 10K pressure classes

# JIS Straight Type Storm Valve

SECTION Technical drawing 1 REF EFC-141



Install, operate and maintain in accordance with the manufacturer's manual supplied with the product.

JIS VALVE

# JIS Straight Type Storm Valve

SECTION Dimensions per size REF EFC-141

SIZE	L	H	HMAX	D_5K	K_5K	BOLT_5K	D_10K	K_10K	BOLT_10K
DN50	210	290	328	130	105	undefined undefined	155	120	undefined undefined
DN65	240	290	335	155	130	undefined undefined	175	140	undefined undefined
DN80	260	290	335	180	145	undefined undefined	185	150	undefined undefined
DN100	280	290	340	200	165	undefined undefined	210	175	undefined undefined
DN125	330	290	340	235	200	undefined undefined	250	210	undefined undefined
DN150	360	290	345	265	230	undefined undefined	280	240	undefined undefined

Dimensions in millimetres unless stated otherwise. Values are nominal; tolerances confirmed at quote.

Install, operate and maintain in accordance with the manufacturer's manual supplied with the product.

JIS VALVE

# JIS Angle Type Storm Valve

REF **EFC-142** ISSUED 09 Jul 2026

## SPECIFICATIONS

Size	<b>DN50 to DN150</b>
Pressure	<b>5K to 10K</b>
End connection	<b>flanged (JIS B2239) / flanged (JIS B2239)</b>
Media	<b>wastewater</b>

## ACTUATION

- handwheel manual

## STANDARDS

Design	<b>JIS F3060</b>
Test	<b>JIS F7400</b>

## APPLICATIONS

- Aboard ships for wastewater

## MATERIALS

Body	<b>Cast Steel</b>	Cover	<b>Cast Steel</b>
Disc	<b>Bronze</b>	Gasket	<b>NBR, Non-Asbestos</b>
Arm	<b>Bronze</b>	Counterweight	<b>Cast Iron</b>
Stem	<b>Stainless Steel</b>	Spindle box	<b>Bronze</b>
Packing	<b>Graphite</b>	Gland	<b>Brass</b>
Handwheel	<b>Cast Iron</b>	Stud nut	<b>Carbon Steel</b>

## FEATURES

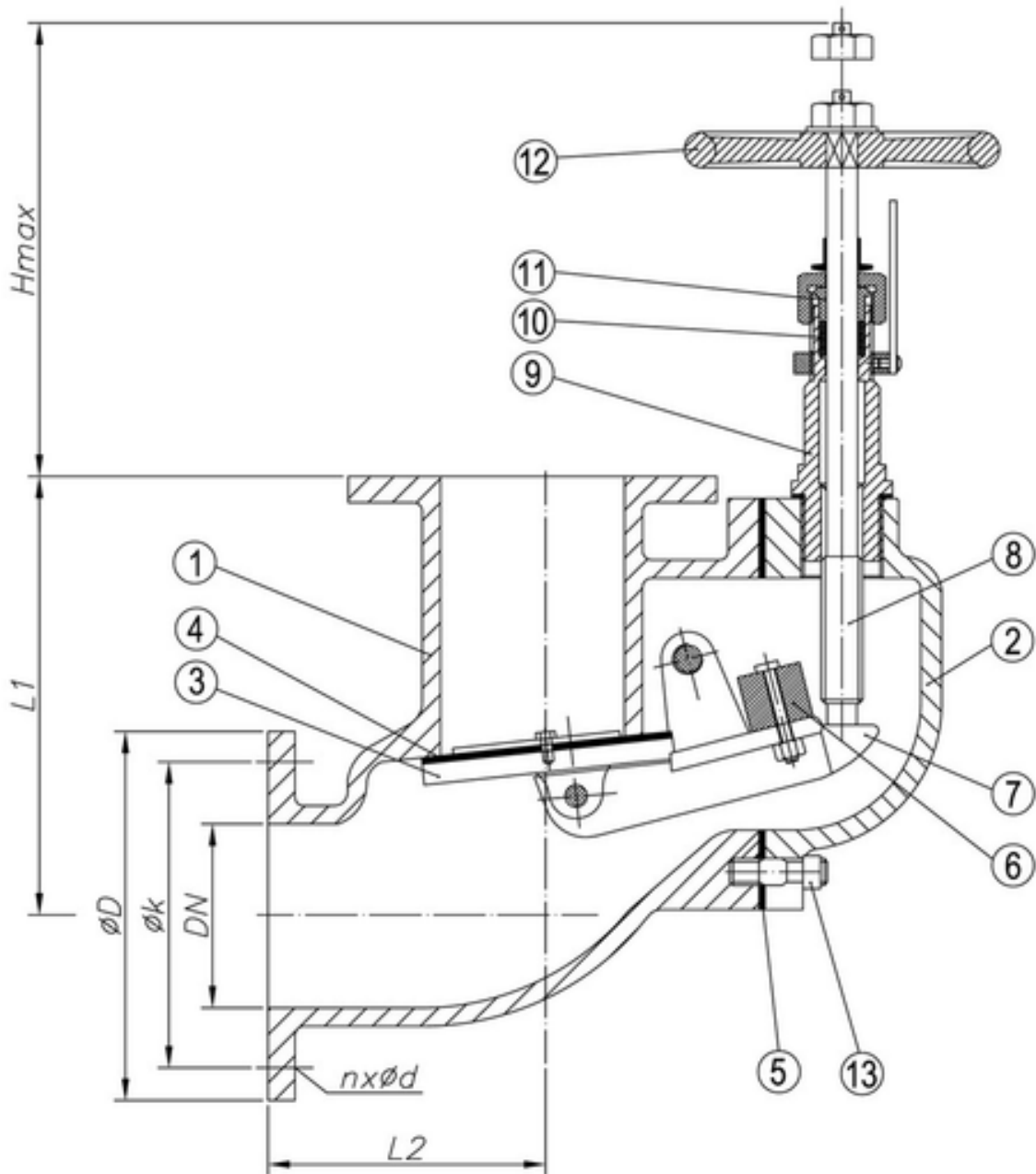
- Angle-type body configuration
- Counterweight mechanism on disc arm
- Dual pressure class: 5K and 10K
- Graphite packing
- Designed for marine shipboard wastewater service

Install, operate and maintain in accordance with the manufacturer's manual supplied with the product.



# JIS Angle Type Storm Valve

SECTION Technical drawing 1 REF EFC-142



Install, operate and maintain in accordance with the manufacturer's manual supplied with the product.

JIS VALVE

# JIS Angle Type Storm Valve

SECTION Dimensions per size REF EFC-142

SIZE	L1	L2	HMAX	D_5K	K_5K	OXN_5K	D_10K	K_10K	OXN_10K
DN50	170	90	187	130	105	Ø15x4	155	120	Ø19x4
DN65	200	110	175	155	130	Ø15x4	175	140	Ø19x4
DN80	220	120	180	180	145	Ø19x4	185	150	Ø19x8
DN100	250	130	175	200	165	Ø19x8	210	175	Ø19x8
DN125	270	150	192	235	200	Ø19x8	250	210	Ø23x8
DN150	310	165	187	265	230	Ø19x8	280	240	Ø23x8

Dimensions in millimetres unless stated otherwise. Values are nominal; tolerances confirmed at quote.

JIS VALVE

# JIS Angle Globe Valve

REF **EFC-143** ISSUED **09 Jul 2026**

## SPECIFICATIONS

Size	<b>DN15 to DN40</b>
Pressure	<b>16K</b>
End connection	<b>flanged (JIS B2240)</b>
Temperature	<b>-999°C to 205°C</b>
Media	<b>air, gas, oil, pulsation water</b>

## ACTUATION

- manual handwheel — GG 25 handwheel

## STANDARDS

Design	<b>JIS F7304, JIS F7410</b>
Test	<b>JIS F7400</b>

## APPLICATIONS

- air
- gas
- oil
- pulsation water



Install, operate and maintain in accordance with the manufacturer's manual supplied with the product.

**MATERIALS**

Body	<b>Bronze Rg5</b>	Bonnet	<b>Bronze Rg5</b>
Disc	<b>Brass, Bronze</b>	Disc nut	<b>Brass</b>
Packing gland	<b>Brass</b>	Gland nut	<b>Brass</b>
Stem	<b>Brass</b>	Handwheel	<b>GG 25</b>
Nut	<b>Brass, SS 304</b>	Lock plate	<b>Brass, SS 304</b>
Screw	<b>Brass, SS 304</b>	Packing	<b>Graphite</b>

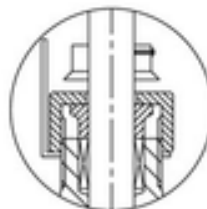
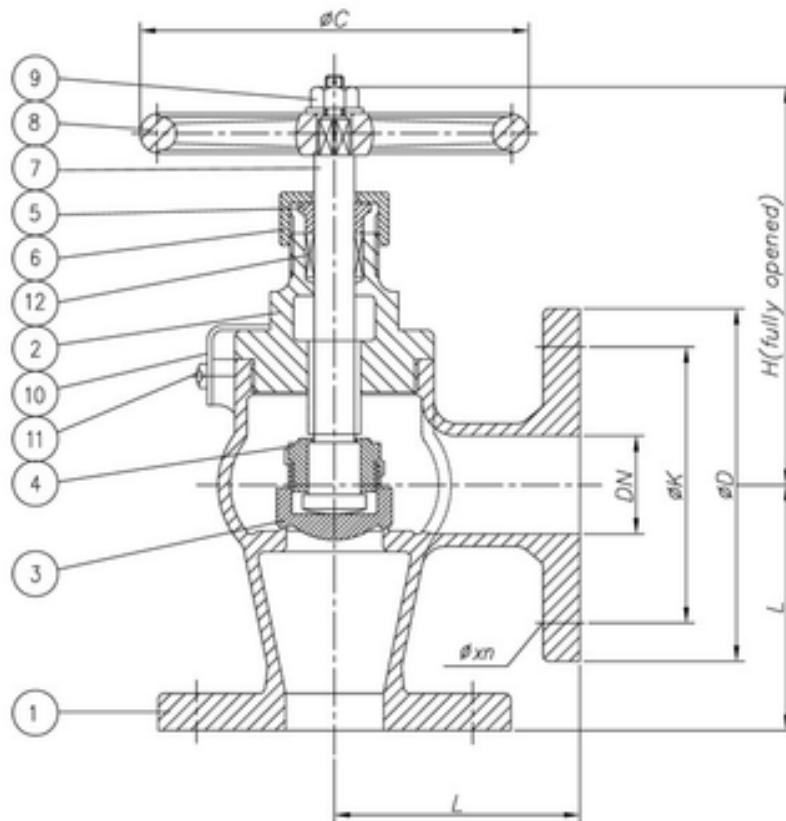
**FEATURES**

- Angle-pattern body configuration
- Available in STOP (JIS F7304) and Screw Down Non Return / SDNR (JIS F7410) variants
- Indicator feature available
- Graphite packing
- Flanged ends per JIS B2240 16K

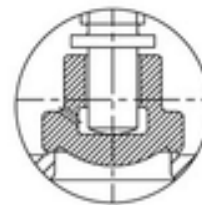
JIS VALVE

# JIS Angle Globe Valve

SECTION Technical drawing 1 REF EFC-143



Indicator



Screw Down Non Return  
(SDNR)

Install, operate and maintain in accordance with the manufacturer's manual supplied with the product.

JIS VALVE

# JIS Angle Globe Valve

SECTION Dimensions per size REF EFC-143

SIZE	L	H	C	D	K	WEIGHT
DN15	70	120	80	95	70	2.73 kg
DN20	75	130	100	100	75	3.65 kg
DN25	85	145	125	125	90	5.16 kg
DN32	95	150	125	135	100	6.72 kg
DN40	100	165	140	140	105	8.13 kg

Dimensions in millimetres unless stated otherwise. Values are nominal; tolerances confirmed at quote.

BRONZE MARINE VALVE

# Wafer Type Butterfly Valve (Marine)

REF **EFC-198** ISSUED 09 Jul 2026

## SPECIFICATIONS

Size	<b>DN50 to DN600</b>
Pressure	<b>PN16-25</b>
End connection	<b>wafer (TS 810) / wafer (TS 810) / wafer (DIN 2501)</b>



## MATERIALS

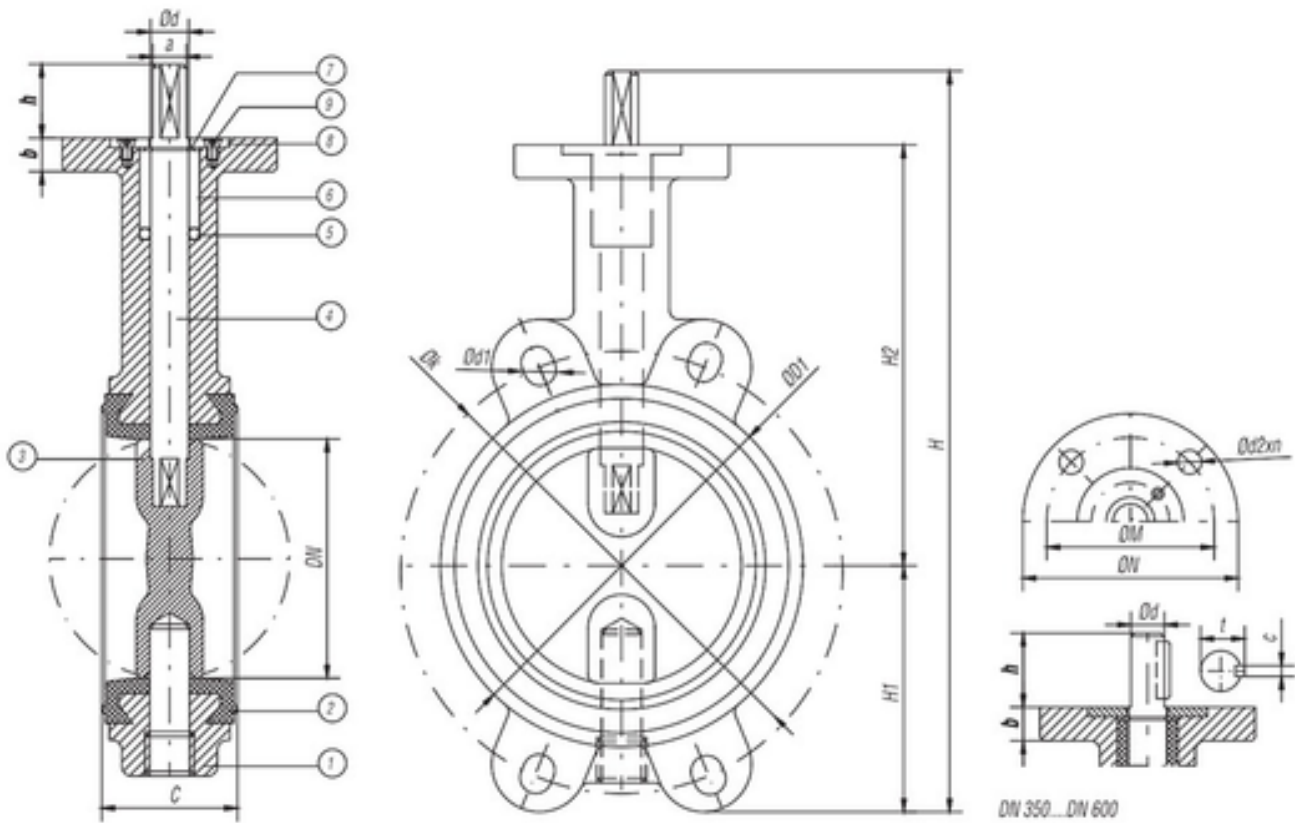
Body	<b>GG 25, GGG 40, GGG 50, GS-C 25, AISI 304</b>	Gasket	<b>EPDM, BUNA-N</b>
Disc	<b>GGG 40, AISI 304, AISI 316, Bronze</b>	Stem	<b>AISI 420, AISI 316</b>
O ring	<b>EPDM, BUNA-N</b>	Gland bush	<b>PVC, PTFE</b>
Segment	<b>St</b>	Washer	<b>Sr-37</b>
Bolt	<b>5D, S.S</b>		

Install, operate and maintain in accordance with the manufacturer's manual supplied with the product.

BRONZE MARINE VALVE

# Wafer Type Butterfly Valve (Marine)

SECTION Technical drawing 1 REF EFC-198



Install, operate and maintain in accordance with the manufacturer's manual supplied with the product.

BRONZE MARINE VALVE

# Wafer Type Butterfly Valve (Marine)

SECTION Dimensions per size REF EFC-198

SIZE	C	H1	H2H_KOL-H_RE-LU DUK-TORLU	OD1	ON	OMOD2XAD	BSTEM_C	STEM_PN6	PN6_OD	PN6_OD	PN10_OD	PN16_OD	PN16_OD	PN16_OD	STEM_C	STEM_C	WEIGHT
DN50	43	67	140 237 275	94	90	70 Ø10x4	12	14	12	31	110 Ø14x4	125 Ø18x4	125 Ø18x4	—	—	3.5 kg	
DN65	46	74	152 254 294	112	90	70 Ø10x4	12	14	12	31	130 Ø14x4	145 Ø18x4	145 Ø18x4	—	—	—	
DN80	46	96	159 283 323	126	90	70 Ø10x4	12	14	12	31	150 Ø14x4	160 Ø18x4	160 Ø18x4	—	—	4.4 kg	
DN100	52	110	177 315 355	152	90	70 Ø10x4	12	16	14	31	170 Ø14x4	180 Ø18x4	180 Ø18x4	—	—	—	
DN125	56	122	190 340 380	185	152	125 Ø14x4	15.5	16	14	31	200 Ø14x4	210 Ø18x4	210 Ø23x4	—	—	7.3 kg	
DN150	56	136	203 367 407	210	152	125 Ø14x4	15.5	20	17	38	225 Ø18x4	240 Ø23x4	240 Ø23x4	—	—	8.5 kg	
DN200	60	160	241 439 480	262	152	125 Ø14x4	15.5	22	19	38	280 Ø18x4	295 Ø23x4	295 Ø23x4	—	—	15.8 kg	
DN250	68	201	273 512 553	316	175	140 Ø19x4	20	28	25	38	335 Ø18x4	350 Ø23x4	355 Ø23x4	—	—	22.4 kg	
DN300	78	237	311 600 630	372	175	140 Ø19x4	20	28	25	38	395 22x4	400 Ø23x4	410 Ø27x4	—	—	32.9 kg	
DN350	78	267	350 — 784	—	175	140 Ø19x4	23	42	—	105	—	—	460 Ø27x4	470 Ø27x4	45 12	54 kg	
DN400	102	302	375 — 844	—	210	165 Ø23x8	23	48	—	105	—	—	515 Ø27x4	525 Ø27x4	51.5 14	76 kg	
DN450	114	325	400 — 892	—	210	165 Ø23x8	25	52	—	105	—	—	565 Ø27x4	585 Ø30x4	56 16	93 kg	
DN500	127	362	450 — 1008	—	210	165 Ø23x8	25	58	—	130	—	—	620 Ø27x4	650 Ø30x4	62 18	133 kg	
DN600	154	422	510 — 1128	—	210	165 Ø23x8	25	68	—	130	—	—	725 Ø30x4	770 33x4 / 36x4	72.5 20	198 kg	

Dimensions in millimetres unless stated otherwise. Values are nominal; tolerances confirmed at quote.

Install, operate and maintain in accordance with the manufacturer's manual supplied with the product.

BRONZE MARINE VALVE

# LUG Type Butterfly Valve (Marine)

REF **EFC-199** ISSUED 09 Jul 2026

## SPECIFICATIONS

Size	<b>DN50 to DN600</b>
Pressure	<b>PN16 (16 bar)</b>
End connection	<b>lug (DIN 2501) / lug (DIN 2501) / lug (DIN 2501)</b>

## ACTUATION

- manual lever — handle operated — ISO 5211/1
- gearbox — worm gear reducer — ISO 5211/1



## MATERIALS

Body	<b>GG 25, GGG 40, GGG 50, GS-C 25, AISI 304</b>	Gasket	<b>EPDM, BUNA-N</b>
Disc	<b>GGG 40, AISI 316, Bronze</b>	Stem	<b>AISI 420, AISI 316</b>
O ring	<b>EPDM, BUNA-N</b>	Gland bush	<b>PVC, PTFE</b>
Segment	<b>St</b>	Washer	<b>St-37</b>
Bolt	<b>5D, S.S</b>		

## FEATURES

- Lug body design allowing end-of-line service without downstream flange
- Concentric disc geometry
- Replaceable elastomer seat (EPDM or BUNA-N)
- Stainless steel or bronze disc options
- ISO 5211/1 top flange for direct actuator mounting
- Available in multiple body materials including grey cast iron, ductile iron, cast steel and stainless steel
- PTFE or PVC gland bush options
- Stem available in AISI 420 or AISI 316

Install, operate and maintain in accordance with the manufacturer's manual supplied with the product.

BRONZE MARINE VALVE

# LUG Type Butterfly Valve (Marine)

SECTION Dimensions per size REF EFC-199

SIZE	C	H1	H2H_HANH_GEA REDD1				ON	OMOD2XAD	BSTEM_C	STEM_C	PN6_ORN6_ODPN6	PN10_ODPN10	PN16_ODPN16	STEM_C	STEM_C		WEIGHT		
DLE																			
DN50	43	67	140	237	275	94	90	70 Ø10x4	12	14	12	31	110 M12x4	125 M16x4	125 M16x4	—	—	4.6 kg	
DN65	46	74	152	254	294	112	90	70 Ø10x4	12	14	12	31	130 M12x4	145 M16x4	145 M16x4	—	—	5.2 kg	
DN80	46	96	159	283	323	112	90	70 Ø10x4	12	14	12	31	150 M16x4	160 M16x4	160 M16x4	—	—	6.8 kg	
DN100	52	110	177	315	355	126	152	125 Ø14x4	12	16	14	31	170 M16x4	180 M16x4	180 M16x4	—	—	8.5 kg	
DN125	56	122	190	340	380	152	152	125 Ø14x4	15.5	16	14	31	200 M16x4	210 M16x8	210 M16x8	—	—	10.5 kg	
DN150	56	136	203	367	407	185	152	125 Ø14x4	15.5	20	17	38	225 M16x8	240 M16x8	240 M16x8	—	—	12.5 kg	
DN200	60	160	241	439	480	210	152	125 Ø14x4	15.5	22	17	38	280 M16x8	295 M20x8	295 M20x8	—	—	20.2 kg	
DN250	68	201	273	512	553	262	175	140 Ø19x4	20	28	19	38	335M16x12	350M20x12	355M20x12	—	—	29.5 kg	
DN300	78	237	311	600	630	316	175	140 Ø19x4	20	28	19	38	395M20x12	400M20x12	410M20x12	—	—	46.5 kg	
DN350	102	267	350	—	784	—	210	165 Ø23x8	23	42	—	105	—	—	460M20x16	470M24x16	45	12	71 kg
DN400	102	302	375	—	844	—	210	165 Ø23x8	23	48	—	105	—	—	515M24x16	525M27x16	51.5	14	107 kg
DN450	114	325	400	—	892	—	210	165 Ø23x8	25	52	—	105	—	—	565M24x20	585M27x20	56	16	140 kg
DN500	127	362	450	—	1008	—	210	165 Ø23x8	25	58	—	130	—	—	620M27x20	650M27x20	62	18	186 kg
DN600	154	422	510	—	1128	—	210	165 Ø23x8	25	68	—	130	—	—	725M27x20	770M33x20	72.5	20	267 kg

Dimensions in millimetres unless stated otherwise. Values are nominal; tolerances confirmed at quote.

Install, operate and maintain in accordance with the manufacturer's manual supplied with the product.

BRONZE MARINE VALVE

# Angle Type Globe Valve (Marine)

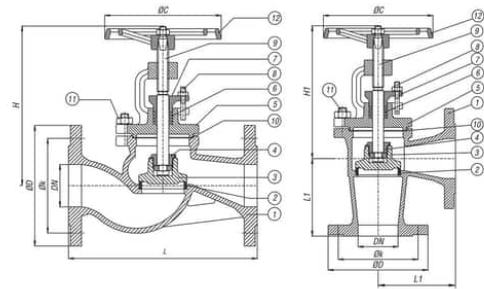
REF **EFC-200** ISSUED 09 Jul 2026

## SPECIFICATIONS

Size	DN15 to DN600
Pressure	PN10 to PN40
End connection	flanged (DIN 2533)
Face-to-face	DIN 3356/2-F1 (Straight), DIN 3356/2-F32 (Angle)

## ACTUATION

- manual handwheel — GG 25 handwheel



Install, operate and maintain in accordance with the manufacturer's manual supplied with the product.

**MATERIALS**

Body	<b>GG25, GGG40, GGG40.3, GSC25, BronzeRG5, RG7, RG10, CuSn10, SS304, SS316, Duplex 1.4470</b>	Seat	<b>Bronze RG5, CuSn10, 13 Cr, SS304, SS316, Duplex 1.4470</b>
Disc	<b>Bronze RG5, CuSn10, 13 Cr, SS304, SS316, Duplex 1.4470</b>	Disc nut	<b>Bronze RG5, CuSn10, 13 Cr, SS304, SS316, Duplex 1.4470</b>
Bonnet	<b>GG25, GGG40, GGG40.3, GSC25, BronzeRG5, RG7, RG10, CuSn10, SS304, SS316, Duplex 1.4470</b>	Packing	<b>% 100 Graphite</b>
Gland	<b>GG25, GGG40, GGG40.3, GSC25, BronzeRG5, RG7, RG10, CuSn10, SS304, SS316, Duplex 1.4470</b>	T stud nut	<b>Steel A2, Steel A4</b>
Stem	<b>CuZn35Ni, CuSn8, AISI 420, AISI 304, AISI 316, Duplex</b>	Gasket	<b>Klingerite, Graphite</b>
Stud nut	<b>Steel A2, Steel A4</b>	Handwheel	<b>GG 25</b>

**FEATURES**

- Available in straight (düz) and angle (aç111) body configurations
- Totally stainless steel or bronze discs optional in 3" and larger sizes
- 100% graphite packing
- Multiple body material options: cast iron, ductile iron, carbon steel, bronze, stainless steel, duplex stainless steel
- Flanged end connections per DIN 2533

BRONZE MARINE VALVE

# Angle Type Globe Valve (Marine)

SECTION Dimensions per size REF EFC-200

SIZE	L	L1	H	H1	STROK	OC	OD_PN16	OK_PN16	OD_PN40	OK_PN40	PN16 AÇILI KG	PN40 DÜZ KG	PN40 AÇILI KG	WEIGHT
DN15	130	90	185	155	7	120	95	65	95	65	4 kg	4.7 kg	4 kg	3.6 kg
DN20	150	95	185	155	7	120	105	75	105	75	4.5 kg	5.1 kg	5 kg	4.25 kg
DN25	160	100	195	170	9	140	115	85	115	85	5.5 kg	6.2 kg	6 kg	5.15 kg
DN32	180	105	205	175	11	140	140	100	140	100	7 kg	7.2 kg	8 kg	6.75 kg
DN40	200	115	230	195	15	160	150	110	150	110	11 kg	11.5 kg	13 kg	9.6 kg
DN50	230	125	240	205	18	160	165	125	165	125	13.5 kg	13.2 kg	15 kg	12 kg
DN65	290	145	275	225	23	180	185	145	185	145	19 kg	21.3 kg	23 kg	16.4 kg
DN80	310	155	290	250	28	200	200	160	200	160	24 kg	26.7 kg	27 kg	23.2 kg
DN100	350	175	350	305	35	225	220	180	235	190	33 kg	36.3 kg	39 kg	33 kg
DN125	400	200	410	315	43	250	250	210	270	220	48 kg	60.5 kg	58 kg	55 kg
DN150	480	225	430	380	50	300	285	240	300	250	62 kg	100.6 kg	75 kg	87.5 kg
DN200	600	275	580	425	68	400	340	295	375	320	128 kg	163.2 kg	155 kg	136 kg
DN250	730	325	710	470	80	520	405	355	450	385	135 kg	254.5 kg	162 kg	212 kg
DN300	850	375	780	675	100	520	460	410	515	450	270 kg	360 kg	320 kg	300 kg

Dimensions in millimetres unless stated otherwise. Values are nominal; tolerances confirmed at quote.

Install, operate and maintain in accordance with the manufacturer's manual supplied with the product.

EFC-200 · Specifications confirmed at quote

sales@euroflowcontrol.com · euroflowcontrol.com

BRONZE MARINE VALVE

## Discharge (Overboard) Valve Straight Form VDDV-16 Angle Form VADV-16

REF **EFC-201** ISSUED 09 Jul 2026

### SPECIFICATIONS

Size	<b>DN15 to DN300</b>
Pressure	<b>PN16</b>
End connection	<b>flanged (DIN 2533)</b>
Face-to-face	<b>DIN 3356/2-F1 (Straight), DIN 3356/2-F32 (Angle)</b>

### ACTUATION

- manual handwheel — GG 25 handwheel

### APPLICATIONS

- marine overboard discharge



### MATERIALS

Body	<b>GG 25, GGG 40, GS-C 25</b>	Seat	<b>1.4301, Bronze</b>
Disc	<b>1.4301, Bronze</b>	Disc nut	<b>Ms 58</b>
Stem	<b>1.4021, Cu Sn8</b>	Gasket	<b>Klingerite, Asberit</b>
Bonnet	<b>GG 25, GGG 40, GS-C 25</b>	Packing	<b>Graphite</b>
Gland	<b>GG 25, GGG 40, GS-C 25</b>	Stud nut	<b>5.6.8</b>
Pilar	<b>Automat Steel</b>	Bridge	<b>GG 25</b>
Spring	<b>AISI 301</b>	Handwheel	<b>GG 25</b>

### FEATURES

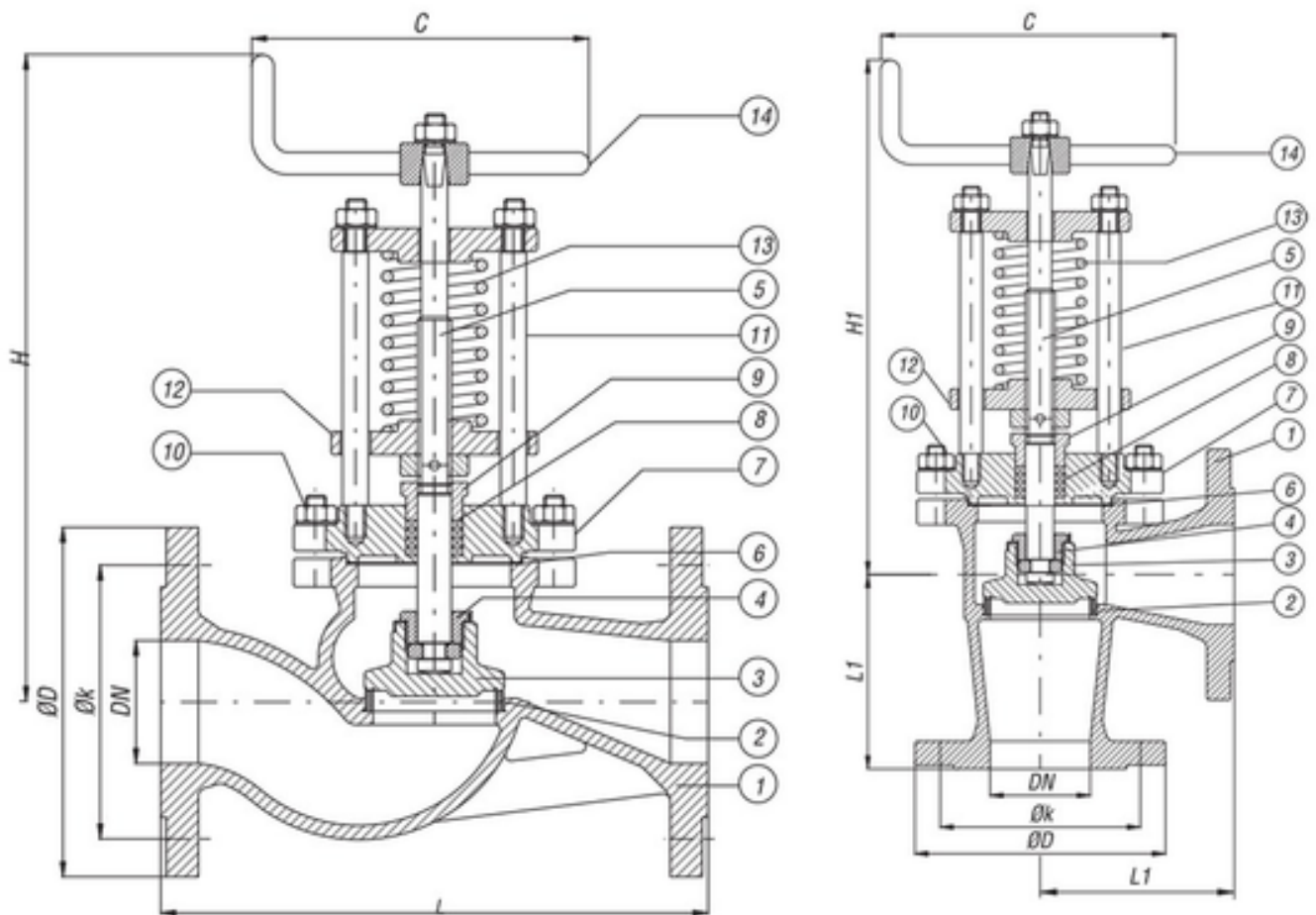
- Available in straight form (VDDV-16) and angle form (VADV-16)
- Spring-assisted closure mechanism
- Graphite packing for stem sealing
- Flanged end connections per DIN 2533
- Face-to-face dimensions per DIN 3356/2-F1 (straight) and DIN 3356/2-F32 (angle)
- Weights tabulated for both PN16 and PN40 flange drilling configurations

Install, operate and maintain in accordance with the manufacturer's manual supplied with the product.

BRONZE MARINE VALVE

**Discharge (Overboard) Valve Straight Form VDDV-16 Angle Form VADV-16**

SECTION Technical drawing 1 REF EFC-201



Install, operate and maintain in accordance with the manufacturer's manual supplied with the product.

BRONZE MARINE VALVE

## Discharge (Overboard) Valve Straight Form VDDV-16 Angle Form VADV-16

SECTION Dimensions per size REF EFC-201

SIZE	L	L1	H	H1	STROK	OC	OD_PN16	OK_PN16	OD_PN40	OK_PN40	PN16 AN- GLE KG	PN40 STRAIGHT GLE KG	PN40 AN- GLE KG	WEIGHT
DN15	130	90	340	310	8	120	95	65	95	65	6.5 kg	8 kg	7 kg	6.75 kg
DN20	150	95	345	325	8	120	105	75	105	75	6.75 kg	8.5 kg	7.5 kg	7 kg
DN25	160	100	350	320	12	140	115	85	115	85	7 kg	9 kg	8 kg	8 kg
DN32	180	105	355	323	15	140	140	100	140	100	9 kg	9.5 kg	10 kg	10 kg
DN40	200	115	365	335	20	160	150	110	150	110	10 kg	16.5 kg	12 kg	14 kg
DN50	230	125	375	340	20	160	165	125	165	125	14 kg	18 kg	15 kg	16 kg
DN65	290	145	480	450	27	180	185	145	185	145	18 kg	22.5 kg	22 kg	20 kg
DN80	310	155	500	465	31	200	200	160	200	160	30 kg	36 kg	33 kg	32 kg
DN100	350	175	525	480	35	225	220	180	235	190	39 kg	44.5 kg	42 kg	41 kg
DN125	400	200	620	515	49	250	250	210	270	220	53 kg	66 kg	65 kg	60 kg
DN150	480	225	760	685	53	300	285	240	300	250	70 kg	115 kg	95 kg	90 kg
DN200	600	275	810	745	72	400	340	295	375	320	110 kg	175 kg	170 kg	145 kg
DN250	730	325	860	775	80	520	405	355	450	385	125 kg	275 kg	155 kg	245 kg
DN300	850	375	880	790	100	520	460	410	515	450	200 kg	410 kg	250 kg	380 kg

Dimensions in millimetres unless stated otherwise. Values are nominal; tolerances confirmed at quote.

Install, operate and maintain in accordance with the manufacturer's manual supplied with the product.

## BRONZE MARINE VALVE

# Swing Check Valve (Marine)

REF **EFC-202** ISSUED 09 Jul 2026

## SPECIFICATIONS

Size	DN40 to DN1200
Pressure	PN10 to PN40
End connection	flanged (DIN EN 1092)
Face-to-face	DIN EN 558-1-48
Temperature	-10°C to 120°C

## STANDARDS

Design	TS 457/1, DIN3202/2-F6
Test	DIN EN 12266, API 598



## MATERIALS

Body	GG 25, GGG-40, GS-C 25	Seat	Ms 58, SS, Bronze
Disc	GG 25, GGG-40, GS-C 25	Disc seat	EPDM, SS, Bronze, Brass
Disc arm	GGG 40, GGG 50	Pin	Ms 58, SS, Bronze
Stem	Ms 58, SS, Bronze	Gasket	EPDM, Klingerit
Bonnet	GG 25, GGG-40, GS-C 25	Bolt	5 D, Paslanmaz Çelik
Handle	GGG 40, GGG 50	Counterweight	GG 20

## FEATURES

- Swing check disc mechanism
- Counter weight and hydraulic damper available as optional accessories
- By-pass connection available on larger sizes
- Bonnet design allows disc and seat inspection without removal from pipeline

Install, operate and maintain in accordance with the manufacturer's manual supplied with the product.

BRONZE MARINE VALVE

# Swing Check Valve (Marine)

SECTION Dimensions per size REF EFC-202

SIZE	D	K	L	H	B	A	BY-PASS_OE	WEIGHT
DN40 (PN10)	150	110	180	100	112	200	15	10 kg
DN40 (PN16)	150	110	180	100	112	200	15	10 kg
DN40 (PN25)	150	110	180	100	112	200	15	10 kg
DN40 (PN40)	150	110	180	100	112	200	15	10 kg
DN50 (PN10)	165	125	200	110	112	200	15	11.5 kg
DN50 (PN16)	165	125	200	110	112	200	15	11.5 kg
DN50 (PN25)	165	125	200	110	112	200	15	11.5 kg
DN50 (PN40)	165	125	200	110	112	200	15	11.5 kg
DN65 (PN10)	185	145	240	130	152	300	15	16.5 kg
DN65 (PN16)	185	145	240	130	152	300	15	16.5 kg
DN65 (PN25)	185	145	240	130	152	300	15	16.5 kg
DN65 (PN40)	185	145	240	130	152	300	15	16.5 kg
DN80 (PN10)	200	160	260	145	158	300	25	21 kg
DN80 (PN16)	200	160	260	145	158	300	25	21 kg
DN80 (PN25)	200	160	260	145	158	300	25	21 kg
DN80 (PN40)	200	160	260	145	158	300	25	21 kg
DN100 (PN10)	220	180	300	170	158	300	25	27.5 kg
DN100 (PN16)	220	180	300	170	158	300	25	27.5 kg
DN100 (PN25)	235	190	300	170	158	300	25	27.5 kg
DN100 (PN40)	235	190	300	170	158	300	25	27.5 kg
DN125 (PN10)	250	210	350	195	240	400	25	45 kg
DN125 (PN16)	250	210	350	195	240	400	25	45 kg
DN125 (PN25)	270	220	350	195	240	400	25	45 kg
DN125 (PN40)	270	220	350	195	240	400	25	45 kg
DN150 (PN10)	285	240	400	205	275	400	25	65 kg

Install, operate and maintain in accordance with the manufacturer's manual supplied with the product.

## Swing Check Valve (Marine)

Dimensions per size (continued) · EFC-202

SIZE	D	K	L	H	B	A	BY-PASS_OE	WEIGHT
DN150 (PN16)	285	240	400	205	275	400	25	65 kg
DN150 (PN25)	300	250	400	205	275	400	25	65 kg
DN150 (PN40)	300	250	400	205	275	400	25	65 kg
DN200 (PN10)	340	295	500	260	336	400	25	120 kg
DN200 (PN16)	340	295	500	260	336	400	25	120 kg
DN200 (PN25)	360	310	500	260	336	400	25	120 kg
DN200 (PN40)	375	320	500	260	336	400	25	120 kg
DN250 (PN10)	395	350	600	340	400	600	25	150 kg
DN250 (PN16)	405	355	600	340	400	600	25	150 kg
DN250 (PN25)	425	370	600	340	400	600	25	150 kg
DN250 (PN40)	450	385	600	340	400	600	25	150 kg
DN300 (PN10)	445	400	700	370	450	600	25	205 kg
DN300 (PN16)	460	410	700	370	450	600	25	205 kg
DN300 (PN25)	485	430	700	370	450	600	25	205 kg
DN300 (PN40)	515	450	700	370	450	600	25	205 kg
DN350 (PN10)	505	460	800	400	500	800	40	350 kg
DN350 (PN16)	520	470	800	400	500	800	40	350 kg
DN350 (PN25)	555	490	800	400	500	800	40	350 kg
DN350 (PN40)	580	510	800	400	500	800	40	350 kg
DN400 (PN10)	565	515	900	450	550	800	50	430 kg
DN400 (PN16)	580	525	900	450	550	800	50	430 kg
DN400 (PN25)	620	550	900	450	550	800	50	430 kg
DN400 (PN40)	660	585	900	450	550	800	50	430 kg
DN450 (PN10)	615	565	1000	500	600	800	65	625 kg
DN450 (PN16)	640	585	1000	500	600	800	65	625 kg
DN450 (PN25)	670	600	1000	500	600	800	65	625 kg
DN450 (PN40)	685	610	1000	500	600	800	65	625 kg
DN500 (PN10)	670	620	1100	630	740	1100	80	765 kg
DN500 (PN16)	715	650	1100	630	740	1100	80	765 kg
DN500 (PN25)	730	660	1100	630	740	1100	80	765 kg
DN500 (PN40)	755	670	1100	630	740	1100	80	765 kg

Install, operate and maintain in accordance with the manufacturer's manual supplied with the product.

## Swing Check Valve (Marine)

Dimensions per size (continued) · EFC-202

SIZE	D	K	L	H	B	A	BY-PASS_OE	WEIGHT
<b>DN600 (PN10)</b>	780	725	1300	700	820	1100	100	970 kg
<b>DN600 (PN16)</b>	840	770	1300	700	820	1100	100	970 kg
<b>DN600 (PN25)</b>	845	775	1300	700	820	1100	100	970 kg
<b>DN600 (PN40)</b>	890	795	1300	700	820	1100	100	970 kg
<b>DN700 (PN10)</b>	895	840	1500	800	1000	1100	125	1450 kg
<b>DN700 (PN16)</b>	910	840	1500	800	1000	1100	125	1450 kg
<b>DN700 (PN25)</b>	960	875	1500	800	1000	1100	125	1450 kg
<b>DN700 (PN40)</b>	995	900	1500	800	1000	1100	125	1450 kg
<b>DN800 (PN10)</b>	1015	950	1700	900	1100	1200	125	2380 kg
<b>DN800 (PN16)</b>	1025	950	1700	900	1100	1200	125	2380 kg
<b>DN800 (PN25)</b>	1085	990	1700	900	1100	1200	125	2380 kg
<b>DN800 (PN40)</b>	1140	1030	1700	900	1100	1200	125	2380 kg
<b>DN900 (PN10)</b>	1115	1050	1900	1000	1200	1200	125	3335 kg
<b>DN900 (PN16)</b>	1125	1050	1900	1000	1200	1200	125	3335 kg
<b>DN900 (PN25)</b>	1185	1090	1900	1000	1200	1200	125	3335 kg
<b>DN900 (PN40)</b>	1250	1140	1900	1000	1200	1200	125	3335 kg
<b>DN1000 (PN10)</b>	1230	1160	2100	1100	1400	1200	125	3780 kg
<b>DN1000 (PN16)</b>	1255	1170	2100	1100	1400	1200	125	3780 kg
<b>DN1000 (PN25)</b>	1320	1210	2100	1100	1400	1200	125	3780 kg
<b>DN1000 (PN40)</b>	1360	1250	2100	1100	1400	1200	125	3780 kg
<b>DN1200 (PN10)</b>	1455	1380	2500	1300	1650	1200	125	4550 kg
<b>DN1200 (PN16)</b>	1485	1390	2500	1300	1650	1200	125	4550 kg
<b>DN1200 (PN25)</b>	1530	1420	2500	1300	1650	1200	125	4550 kg
<b>DN1200 (PN40)</b>	1575	1460	2500	1300	1650	1200	125	4550 kg

Dimensions in millimetres unless stated otherwise. Values are nominal; tolerances confirmed at quote.

BRONZE MARINE VALVE

# Lift Type Check Valve (Marine)

REF **EFC-203** ISSUED 09 Jul 2026

## SPECIFICATIONS

Size	DN25 to DN65
Pressure	PN16 to PN40
End connection	flanged (DIN 2533)
Face-to-face	DIN 3202/2 F32, TS 10873

## APPLICATIONS

- Marine



## MATERIALS

Body	GG 25, GGG-40, GSC 25, Bronze RG5, RG7, Cu Sn10, 304, 316, Duplex	Seat ring	AISI 304, AISI 316, Bronze RG6, RG7, CuSn10
Disc	AISI 304, AISI 316, Bronze RG6, RG7, CuSn 10	Spring	14.310
Gasket	Kingerite	Bonnet	GG 25, GGG-40, GSC 25, Bronze RG5, RG7, CuSn10, 304, 316, Duplex
Stud nut	5,6-8	Seat	AISI 304, AISI 316, Bronze RG6, RG7, CuSn10

## FEATURES

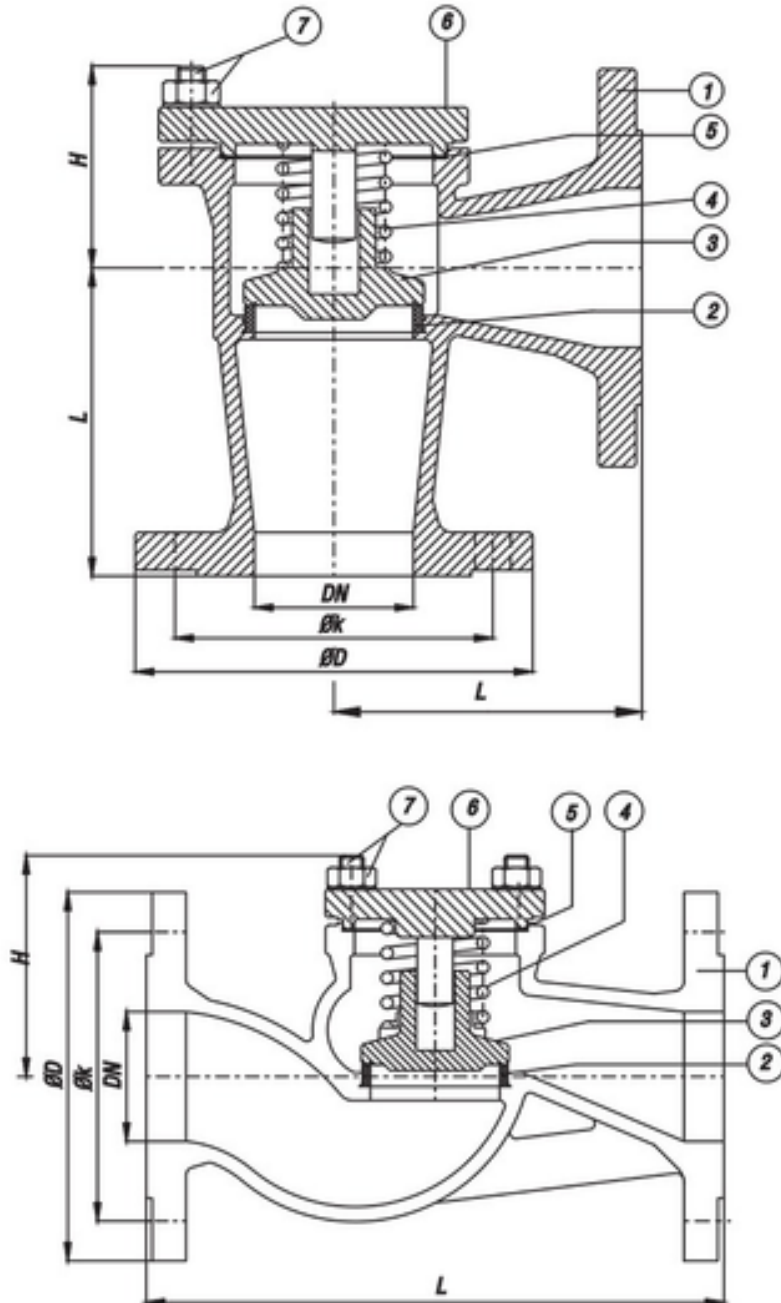
- Spring-assisted lift disc mechanism
- Available with flanged end connections to DIN 2533
- Multiple body and bonnet material options including cast iron, ductile iron, cast steel, bronze, stainless steel, and duplex stainless steel

Install, operate and maintain in accordance with the manufacturer's manual supplied with the product.

BRONZE MARINE VALVE

# Lift Type Check Valve (Marine)

SECTION Technical drawing 1 REF EFC-203



Install, operate and maintain in accordance with the manufacturer's manual supplied with the product.

BRONZE MARINE VALVE

# Lift Type Check Valve (Marine)

SECTION Dimensions per size REF EFC-203

SIZE	L	H	OD1	T	AA	WEIGHT
DN25	125	80	1" inch	17	50	1.7 kg
DN32	135	85	1 1/4" inch	25	65	2.4 kg
DN40	151	105	1 1/2" inch	27	75	3 kg
DN50	175	125	2" inch	31	90	4 kg
DN65	202	135	2 1/2" inch	31	95	5.5 kg

Dimensions in inches unless stated otherwise. Values are nominal; tolerances confirmed at quote.

BRONZE MARINE VALVE

# Disc Check Valve (Marine)

REF **EFC-204** ISSUED 09 Jul 2026

## SPECIFICATIONS

Size	<b>DN15 to DN200</b>
Pressure	<b>PN16 to PN40</b>
End connection	<b>wafer (DIN 2501)</b>
Face-to-face	<b>DIN 3202/2-K4, DIN 3202/3-K4</b>
Temperature	<b>-60°C to 400°C</b>

## STANDARDS

Design	<b>ISO 5752</b>
--------	-----------------



Install, operate and maintain in accordance with the manufacturer's manual supplied with the product.

**EFC-204** · Specifications confirmed at quote

sales@euroflowcontrol.com · euroflowcontrol.com

**MATERIALS**

Body	<b>Bronze, Bronz, Steel, Çelik, AISI 316</b>	Disc	<b>AISI 304</b>
Disc guide	<b>AISI 316</b>	Spring	<b>AISI 316</b>
Seat	<b>Bronze, Bronz, Steel, Çelik, AISI 316</b>		

**FEATURES**

- Spring-assisted disc for both horizontal and vertical installation
- Available with or without spring
- Wafer-type body for installation between flanges
- Low minimum opening pressure
- Multiple material configurations: bronze, carbon steel, stainless steel

**PRESSURE-TEMPERATURE RATING**

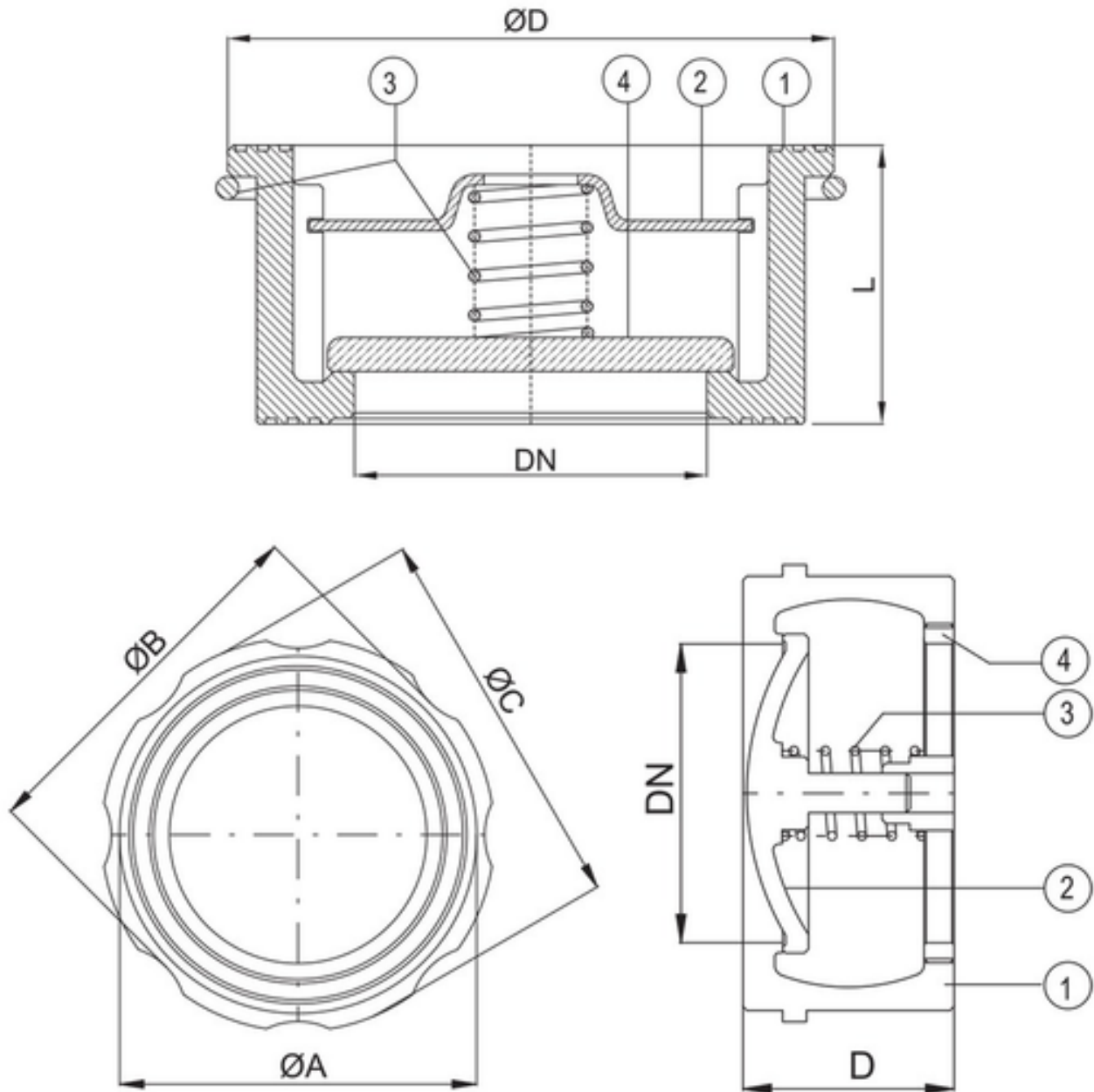
CLASS	TEMPERATURE	MAX PRESSURE
PN16 Bronze	120°C	16 bar
PN16 Bronze	180°C	15 bar
PN16 Bronze	200°C	14 bar
PN16 Bronze	250°C	13 bar
PN40 Steel	120°C	40 bar
PN40 Steel	200°C	35 bar
PN40 Steel	300°C	28 bar
PN40 Steel	400°C	21 bar
PN40 AISI316	120°C	40 bar
PN40 AISI316	200°C	34 bar
PN40 AISI316	300°C	32 bar
PN40 AISI316	400°C	29 bar

Install, operate and maintain in accordance with the manufacturer's manual supplied with the product.

BRONZE MARINE VALVE

# Disc Check Valve (Marine)

SECTION Technical drawing 1 REF EFC-204



Install, operate and maintain in accordance with the manufacturer's manual supplied with the product.

BRONZE MARINE VALVE

# Disc Check Valve (Marine)

SECTION Dimensions per size REF EFC-204

SIZE	OD	L	OA	OB	D	OC	WEIGHT
DN15	40	16	—	—	—	—	0.1 kg
DN20	47	19	—	—	—	—	0.135 kg
DN25	56	22	—	—	—	—	0.2 kg
DN32	72	28	—	—	—	—	0.46 kg
DN40	82	32	—	—	—	—	0.63 kg
DN50	95	40	—	—	—	—	0.98 kg
DN65	115	46	—	—	—	—	1.35 kg
DN80	132	50	—	—	—	—	2.08 kg
DN100	152	60	—	—	—	—	3.04 kg
DN125	—	—	184	194	90	—	9 kg
DN150	—	—	209	221	106	227	14 kg
DN200	—	—	276	287	140	—	24 kg

Dimensions in millimetres unless stated otherwise. Values are nominal; tolerances confirmed at quote.

Install, operate and maintain in accordance with the manufacturer's manual supplied with the product.

BRONZE MARINE VALVE

# U-Type Double Flanged Butterfly Valve (Marine)

REF **EFC-205** ISSUED **09 Jul 2026**

## SPECIFICATIONS

Size	<b>DN40 to DN1400</b>
Pressure	<b>PN10, PN16, Class 150</b>
End connection	<b>flanged (DIN EN 1092) / flanged (DIN EN 1092) / flanged (BS 4504)</b>
Face-to-face	<b>DIN 3337/K1, DIN EN 558-1-20, ISO 5752/20-5</b>

## ACTUATION

- gearbox — GGG-40 gearbox (Di\_li Kutusu) — ISO 5211/1



## MATERIALS

Body	<b>GG 25, GGG 40, GGG 50, GS-C 25</b>	Gasket	<b>EPDM, NBR, VITON</b>
Disc	<b>GGG 40, SS, Bronze</b>	Stem	<b>AISI 420, AISI 316</b>
O ring	<b>EPDM, NBR, VITON</b>	Gland bush	<b>PTFE, Bronze</b>
Segment	<b>St, SS</b>	Washer	<b>St-37, SS, Bronze</b>
Bolt	<b>A2, A4, SS</b>	Gearbox	<b>GGG-40</b>

## FEATURES

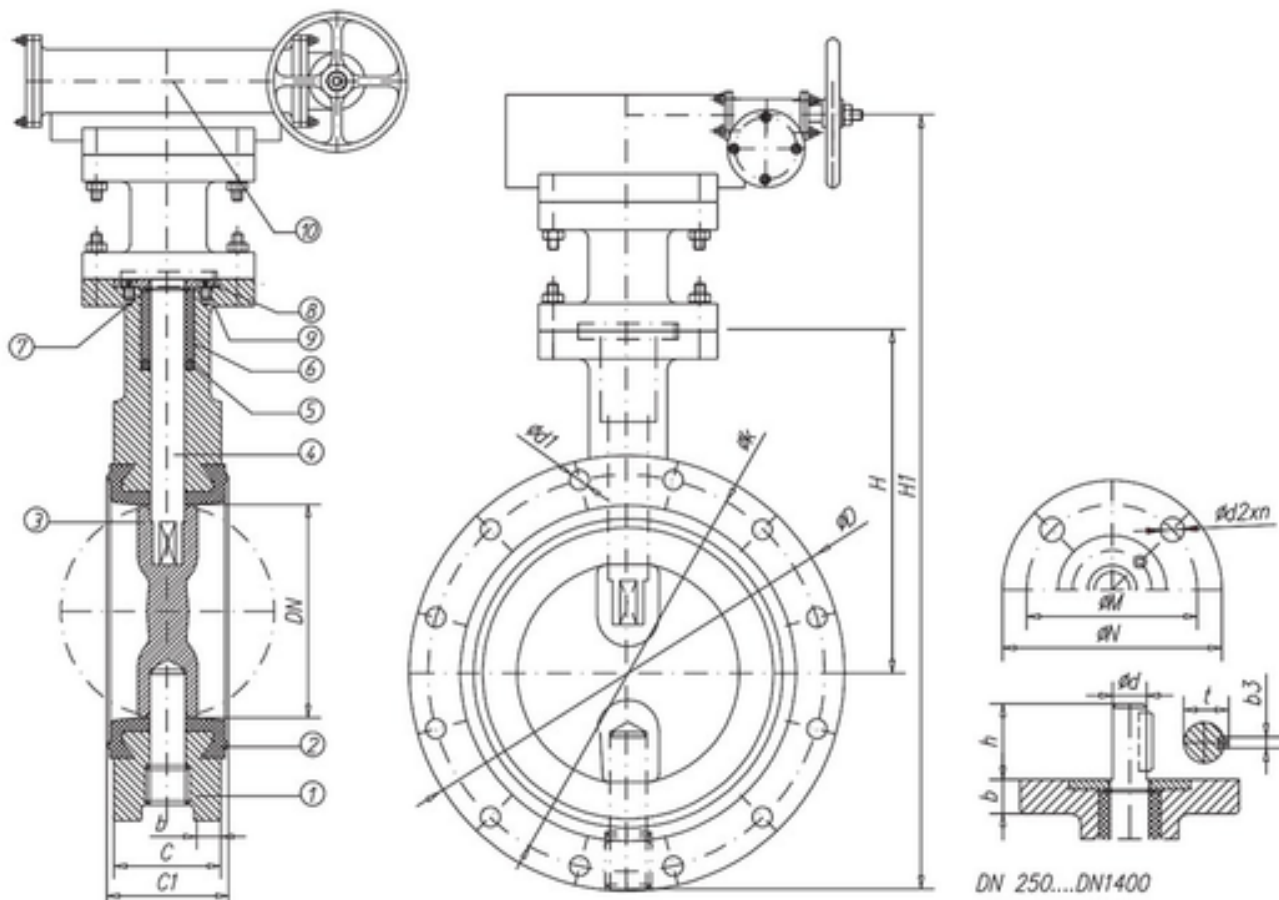
- Double-flanged construction compatible with DIN EN 1092 flanges
- Multiple body material options: grey cast iron, ductile iron, cast steel
- Seat options in EPDM, NBR, or Viton for compatibility with various media
- Stainless steel stem in AISI 420 or AISI 316
- Disc available in ductile iron, stainless steel, or bronze
- ISO 5211/1 top flange for actuator mounting
- Gland bush in PTFE or bronze
- Available in PN10, PN16, and Class 150 pressure ratings
- Size range DN40 to DN1400

Install, operate and maintain in accordance with the manufacturer's manual supplied with the product.

BRONZE MARINE VALVE

# U-Type Double Flanged Butterfly Valve (Marine)

SECTION Technical drawing 1 REF EFC-205



Install, operate and maintain in accordance with the manufacturer's manual supplied with the product.

BRONZE MARINE VALVE

## U-Type Double Flanged Butterfly Valve (Marine)

SECTION Dimensions per size REF EFC-205

SIZE	D	K	BOLTS	C	C1	H	H1	B	TOP N	TOP M	TOP D2XAD	TOP B1	STEM D	STEM H	STEM B3	STEM T	WEIGHT
<b>DN40 (PN16)</b>	150	110	4xØ18	33	37	130	260	10	65	50	4xØ7	10	Ø14x9	32	8	—	4 kg
<b>DN40 (PN10)</b>	150	110	4xØ18	33	37	130	260	10	65	50	4xØ7	10	Ø14x9	32	8	—	4 kg
<b>DN40 (Class150)</b>	127	98.5	4xØ16	33	37	130	260	10	65	50	4xØ7	10	Ø14x9	32	8	—	4 kg
<b>DN50 (PN16)</b>	165	125	4xØ18	43	47	140	295	10	65	50	4xØ7	10	Ø14x9	32	8	—	5 kg
<b>DN50 (PN10)</b>	165	125	4xØ18	43	47	140	295	10	65	50	4xØ7	10	Ø14x9	32	8	—	5 kg
<b>DN50 (Class150)</b>	152.5	120.7	4xØ19	43	47	140	295	10	65	50	4xØ7	10	Ø14x9	32	8	—	5 kg
<b>DN65 (PN16)</b>	185	145	4xØ18	46	50	152	310	11	65	50	4xØ7	10	Ø14x9	32	8	—	7 kg
<b>DN65 (PN10)</b>	185	145	4xØ18	46	50	152	310	11	65	50	4xØ7	10	Ø14x9	32	8	—	7 kg
<b>DN65 (Class150)</b>	178	139.7	4xØ19	46	50	152	310	11	65	50	4xØ7	10	Ø14x9	32	8	—	7 kg
<b>DN80 (PN16)</b>	200	160	8xØ18	46	50	159	320	11	90	70	4xØ10	12	Ø16x11	32	8	—	9 kg
<b>DN80 (PN10)</b>	200	160	8xØ18	46	50	159	320	11	90	70	4xØ10	12	Ø16x11	32	8	—	9 kg
<b>DN80 (Class150)</b>	190.5	152.4	4xØ19	46	50	159	320	11	90	70	4xØ10	12	Ø16x11	32	8	—	9 kg
<b>DN100 (PN16)</b>	220	180	8xØ18	52	56	177	360	12	90	70	4xØ10	12	Ø16x11	60	8	—	12 kg
<b>DN100 (PN10)</b>	220	180	8xØ18	52	56	177	360	12	90	70	4xØ10	12	Ø16x11	60	8	—	12 kg

Install, operate and maintain in accordance with the manufacturer's manual supplied with the product.

<b>DN100 (Class150)</b>	228.6	190.5	8xØ19	52	56	177	360	12	90	70	4xØ10	12	Ø16x11	60	8	—	12 kg
<b>DN125 (PN16)</b>	250	210	8xØ18	56	60	190	400	13	90	70	4xØ10	12	Ø22	60	8	25	14 kg
<b>DN125 (PN10)</b>	235	190	8xØ18	56	60	190	400	13	90	70	4xØ10	12	Ø22	60	8	25	14 kg

Install, operate and maintain in accordance with the manufacturer's manual supplied with the product.

## U-Type Double Flanged Butterfly Valve (Marine)

Dimensions per size (continued) · EFC-205

SIZE	D	K	BOLTS	C	C1	H	H1	B	TOP N	TOP M	TOP D2XAD	TOP B1	STEM D	STEM H	STEM B3	STEM T	WEIGHT
<b>DN125 (Class150)</b>	254	215.9	8xØ22	56	60	190	400	13	90	70	4xØ10	12	Ø22	60	8	25	14 kg
<b>DN150 (PN16)</b>	285	240	8xØ22	60	64	203	430	13	90	70	4xØ10	12	Ø22	60	8	25	19 kg
<b>DN150 (PN10)</b>	270	225	8xØ22	60	64	203	430	13	90	70	4xØ10	12	Ø22	60	8	25	19 kg
<b>DN150 (Class150)</b>	279.4	241.3	8xØ22	60	64	203	430	13	90	70	4xØ10	12	Ø22	60	8	25	19 kg
<b>DN200 (PN16)</b>	340	295	12xØ22	68	71	241	550	15	125	102	4xØ12	16	Ø28	60	12	31	22 kg
<b>DN200 (PN10)</b>	300	255	8xØ22	68	71	241	550	15	125	102	4xØ12	16	Ø28	60	12	31	22 kg
<b>DN200 (Class150)</b>	342.9	298.5	8xØ19	68	71	241	550	15	125	102	4xØ12	16	Ø28	60	12	31	22 kg
<b>DN250 (PN16)</b>	405	355	12xØ26	78	84	250	600	15	125	102	4xØ12	16	Ø38	60	12	43	32 kg
<b>DN250 (PN10)</b>	340	295	12xØ22	78	84	250	600	15	125	102	4xØ12	16	Ø38	60	12	43	32 kg
<b>DN250 (Class150)</b>	406.4	362	12xØ22	78	84	250	600	15	125	102	4xØ12	16	Ø38	60	12	43	32 kg
<b>DN300 (PN16)</b>	460	410	12xØ26	102	108	282	620	20	125	102	4xØ12	16	Ø38	60	12	50.5	42 kg
<b>DN300 (PN10)</b>	395	350	12xØ22	102	108	282	620	20	125	102	4xØ12	16	Ø38	60	12	50.5	42 kg
<b>DN300 (Class150)</b>	482.6	431.8	12xØ25	102	108	282	620	20	125	102	4xØ12	16	Ø38	60	12	50.5	42 kg
<b>DN350 (PN16)</b>	520	470	16xØ26	114	120	320	700	20	175	140	4xØ18	22	Ø45	—	14	60.5	55 kg
<b>DN350 (PN10)</b>	445	400	16xØ22	114	120	320	700	20	175	140	4xØ18	22	Ø45	—	14	60.5	55 kg
	533.4	476.3	12xØ32	114	120	320	700	20	175	140	4xØ18	22	Ø45	—	14	60.5	55 kg

Install, operate and maintain in accordance with the manufacturer's manual supplied with the product.

<b>DN350 (Class150)</b>																		
<b>DN400 (PN16)</b>	580	525	16xØ30	127	133	360	825	20	175	140	4xØ18	22	Ø55	—	14	65.5	110 kg	
<b>DN400 (PN10)</b>	515	460	16xØ26	127	133	360	825	20	175	140	4xØ18	22	Ø55	—	14	65.5	110 kg	
<b>DN400 (Class150)</b>	596.9	539.8	16xØ32	127	133	360	825	20	175	140	4xØ18	22	Ø55	—	14	65.5	110 kg	
<b>DN450 (PN16)</b>	640	585	20xØ30	154	160	408	900	25	175	140	4xØ18	22	Ø60	—	14	65.5	145 kg	
<b>DN450 (PN10)</b>	565	510	20xØ26	154	160	408	900	25	175	140	4xØ18	22	Ø60	—	14	65.5	145 kg	

Install, operate and maintain in accordance with the manufacturer's manual supplied with the product.

## U-Type Double Flanged Butterfly Valve (Marine)

Dimensions per size (continued) · EFC-205

SIZE	D	K	BOLTS	C	C1	H	H1	B	TOP N	TOP M	TOP D2XAD	TOP B1	STEM D	STEM H	STEM B3	STEM T	WEIGHT
<b>DN450 (Class150)</b>	635	577.9	20xØ32	154	160	408	900	25	175	140	4xØ18	22	Ø60	—	14	65.5	145 kg
<b>DN500 (PN16)</b>	715	650	20xØ33	165	171	432	1000	25	210	165	4xØ22	26	Ø60	—	14	65.5	184 kg
<b>DN500 (PN10)</b>	615	555	20xØ26	165	171	432	1000	25	210	165	4xØ22	26	Ø60	—	14	65.5	184 kg
<b>DN500 (Class150)</b>	698.5	635	20xØ35	165	171	432	1000	25	210	165	4xØ22	26	Ø60	—	14	65.5	184 kg
<b>DN600 (PN16)</b>	840	770	20xØ36	190	196	520	1100	25	210	165	4xØ22	26	Ø80	—	20	85.5	262 kg
<b>DN600 (PN10)</b>	670	600	20xØ30	190	196	520	1100	25	210	165	4xØ22	26	Ø80	—	20	85.5	262 kg
<b>DN600 (Class150)</b>	812.8	749.3	16xØ35	190	196	520	1100	25	210	165	4xØ22	26	Ø80	—	20	85.5	262 kg
<b>DN700 (PN16)</b>	910	840	24xØ36	203	208	550	1150	30	300	254	8xØ18	32	Ø80	—	20	85.5	350 kg
<b>DN700 (PN10)</b>	780	710	24xØ30	203	208	550	1150	30	300	254	8xØ18	32	Ø80	—	20	85.5	350 kg
<b>DN700 (Class150)</b>	927.1	857.3	20xØ35	203	208	550	1150	30	300	254	8xØ18	32	Ø80	—	20	85.5	350 kg
<b>DN800 (PN16)</b>	1025	950	24xØ39	216	224	585	1250	32	300	254	8xØ18	32	Ø90	—	32	97.5	450 kg
<b>DN800 (PN10)</b>	895	820	24xØ33	216	224	585	1250	32	300	254	8xØ18	32	Ø90	—	32	97.5	450 kg
<b>DN800 (Class150)</b>	1060.5	984.3	20xØ41	216	224	585	1250	32	300	254	8xØ18	32	Ø90	—	32	97.5	450 kg
<b>DN900 (PN16)</b>	1125	1050	28xØ39	254	262	630	1350	34	350	298	8xØ22	35	Ø90	—	32	97.5	582 kg
<b>DN900 (PN10)</b>	1015	920	28xØ36	254	262	630	1350	34	350	298	8xØ22	35	Ø90	—	32	97.5	582 kg
	1168	1079.5	28xØ41	254	262	630	1350	34	350	298	8xØ22	35	Ø90	—	32	97.5	582 kg

Install, operate and maintain in accordance with the manufacturer's manual supplied with the product.

<b>DN900 (Class150)</b>																	
<b>DN1000 (PN16)</b>	1255	1170	28xØ42	254	262	770	1400	36	350	298	8xØ22	35	Ø120	100	40	128.1	710 kg
<b>DN1000 (PN10)</b>	1115	1020	28xØ36	254	262	770	1400	36	350	298	8xØ22	35	Ø120	100	40	128.1	710 kg
<b>DN1000 (Class150)</b>	1289	1200.2	28xØ44	254	262	770	1400	36	350	298	8xØ22	35	Ø120	100	40	128.1	710 kg
<b>DN1100 (PN16)</b>	1355	1280	28xØ42	280	288	840	1500	40	415	356	8xØ33	35	Ø120	120	40	128.1	1150 kg
<b>DN1100 (PN10)</b>	1230	1140	28xØ36	280	288	840	1500	40	415	356	8xØ33	35	Ø120	120	40	128.1	1150 kg

Install, operate and maintain in accordance with the manufacturer's manual supplied with the product.

## U-Type Double Flanged Butterfly Valve (Marine)

Dimensions per size (continued) · EFC-205

SIZE	D	K	BOLTS	C	C1	H	H1	B	TOP N	TOP M	TOP D2XAD	TOP B1	STEM D	STEM H	STEM B3	STEM T	WEIGHT
<b>DN1100 (Class150)</b>	1403	1314	32xØ44	280	288	840	1500	40	415	356	8xØ33	35	Ø120	120	40	128.1	1150 kg
<b>DN1200 (PN16)</b>	1485	1390	32xØ49	280	288	900	1700	40	415	356	8xØ33	35	Ø120	120	40	128.1	1300 kg
<b>DN1200 (PN10)</b>	1340	1250	32xØ39	280	288	900	1700	40	415	356	8xØ33	35	Ø120	120	40	128.1	1300 kg
<b>DN1200 (Class150)</b>	1511	1422	32xØ44	280	288	900	1700	40	415	356	8xØ33	35	Ø120	120	40	128.1	1300 kg
<b>DN1300 (PN16)</b>	1590	1490	36xØ49	280	288	970	1800	44	415	356	8xØ33	35	Ø120	120	40	128.1	1550 kg
<b>DN1300 (PN10)</b>	1455	1355	36xØ42	280	288	970	1800	44	415	356	8xØ33	35	Ø120	120	40	128.1	1550 kg
<b>DN1300 (Class150)</b>	1624	1537	36xØ44	280	288	970	1800	44	415	356	8xØ33	35	Ø120	120	40	128.1	1550 kg
<b>DN1400 (PN16)</b>	1685	1590	40xØ49	280	288	1025	1900	44	415	356	8xØ33	35	Ø120	170	40	128.1	1810 kg
<b>DN1400 (PN10)</b>	1675	1590	40xØ42	280	288	1025	1900	44	415	356	8xØ33	35	Ø120	170	40	128.1	1810 kg
<b>DN1400 (Class150)</b>	1746	1651	44xØ48	280	288	1025	1900	44	415	356	8xØ33	35	Ø120	170	40	128.1	1810 kg

Dimensions in millimetres unless stated otherwise. Values are nominal; tolerances confirmed at quote.

Install, operate and maintain in accordance with the manufacturer's manual supplied with the product.

BRONZE MARINE VALVE

# Ball Valve

REF **EFC-206** ISSUED **09 Jul 2026**

## SPECIFICATIONS

Size	<b>DN15 to DN250</b>
Pressure	<b>PN6 to PN16</b>
End connection	<b>flanged (EN 1092) / flanged (EN 1092) / flanged (EN 1092)</b>
Face-to-face	<b>DIN 3202-F4, DIN 3202-F5</b>
Media	<b>marine applications</b>

## ACTUATION

- manual lever — SS 201 + PVC lever with lock — ISO 5211



Install, operate and maintain in accordance with the manufacturer's manual supplied with the product.

**MATERIALS**

Body	<b>Bronze Rg5, CuSn10, C95800</b>	Bonnet	<b>Bronze Rg5, CuSn10, C95800</b>
Screw	<b>SS 304 (A2)</b>	Gasket	<b>PTFE</b>
Seat	<b>PTFE</b>	Ball	<b>SS 316, Bronze Rg5, C95800</b>
Stem	<b>SS 316, Bronze</b>	Thrust gasket	<b>PTFE</b>
O ring	<b>Viton</b>	Packing	<b>PTFE</b>
Gland	<b>SS 304</b>	Spring washer	<b>SS 304</b>
Screw nut	<b>SS 304 (A2)</b>	Nut	<b>SS 304</b>
Lock	<b>SS 201</b>	Lever	<b>SS 201 + PVC</b>

**FEATURES**

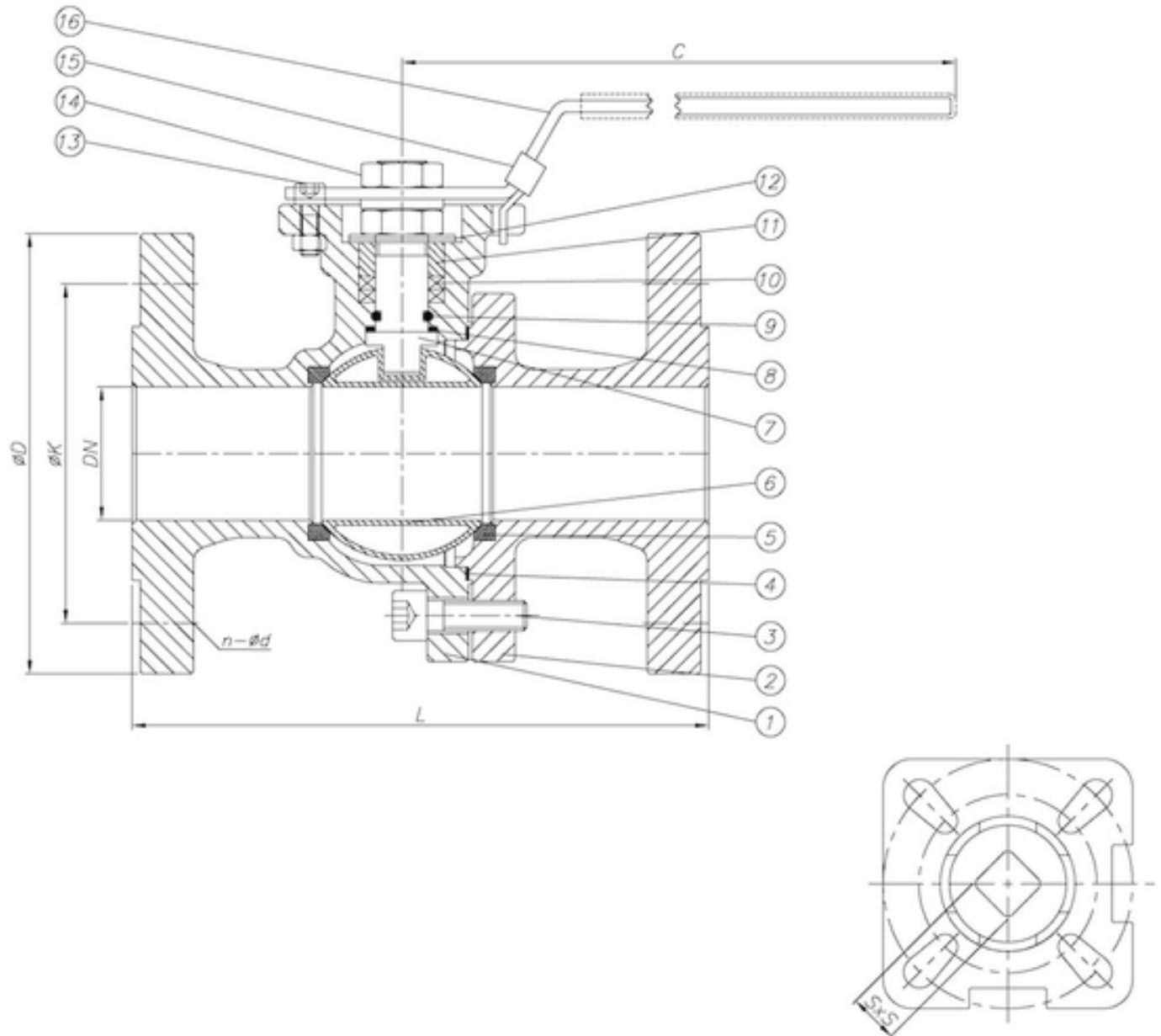
- Full bore design
- Bronze Rg5 / CuSn10 / C95800 body and bonnet
- PTFE seats and packing
- Viton O-ring
- SS 316 or Bronze ball options
- ISO 5211 top flange for actuator mounting
- Lever with integrated lock

Install, operate and maintain in accordance with the manufacturer's manual supplied with the product.

BRONZE MARINE VALVE

# Ball Valve

SECTION Technical drawing 1 REF EFC-206



Install, operate and maintain in accordance with the manufacturer's manual supplied with the product.

BRONZE MARINE VALVE

# Ball Valve

SECTION Dimensions per size REF EFC-206

SIZE	L	WEIGHT
DN15	115	2.7 kg
DN20	120	3.4 kg
DN25	125	4.3 kg
DN32	130	6 kg
DN40	140	7 kg
DN50	150	9.2 kg
DN65	170	13 kg
DN80	180	15.9 kg
DN100	190	19 kg
DN125	325	35.9 kg
DN150	350	47 kg
DN200	400	77.6 kg
DN250	450	174.3 kg

*Dimensions in millimetres unless stated otherwise. Values are nominal; tolerances confirmed at quote.*

Install, operate and maintain in accordance with the manufacturer's manual supplied with the product.

## BRONZE MARINE VALVE

# Ball Check Valve (Marine)

REF **EFC-207** ISSUED 09 Jul 2026

## SPECIFICATIONS

Size	<b>DN40 to DN300</b>
Pressure	<b>PN10 to PN16</b>
End connection	<b>flanged (DIN 2501)</b>
Face-to-face	<b>DIN 3202-F6</b>
Temperature	<b>-10°C to 120°C</b>



## MATERIALS

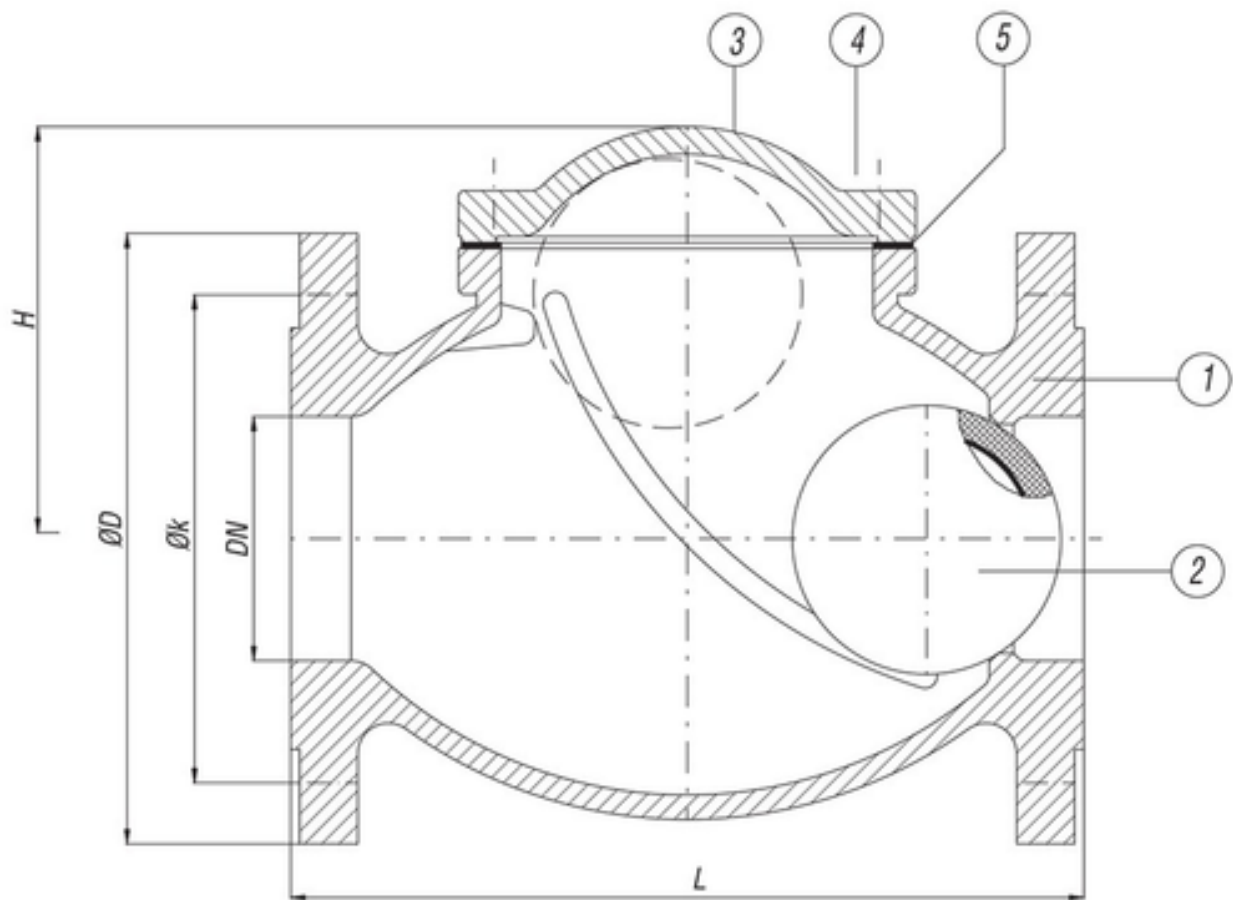
Body	<b>GG 25, GGG 40, GGG 50</b>	Ball	<b>NBR + (GG-25), St-37</b>
Bonnet	<b>GG 25, GGG 40, GGG 50</b>	Gasket	<b>NBR</b>
Bolt	<b>5D, Paslanmaz Çelik</b>		

Install, operate and maintain in accordance with the manufacturer's manual supplied with the product.

BRONZE MARINE VALVE

# Ball Check Valve (Marine)

SECTION Technical drawing 1 REF EFC-207



Install, operate and maintain in accordance with the manufacturer's manual supplied with the product.

**EFC-207** · Specifications confirmed at quote

sales@euroflowcontrol.com · euroflowcontrol.com

BRONZE MARINE VALVE

# Ball Check Valve (Marine)

SECTION Dimensions per size REF EFC-207

SIZE	L	H	D	K	WEIGHT
DN40	180	100	150	110	8 kg
DN50	200	110	165	125	9 kg
DN65	240	130	185	145	12 kg
DN80	260	145	200	160	14 kg
DN100	300	170	220	180	22 kg
DN125	350	195	250	210	30 kg
DN150	400	205	285	240	49 kg
DN200	500	260	340	295	98 kg
DN250	600	390	395	350	125 kg
DN300	700	500	445	400	240 kg

Dimensions in millimetres unless stated otherwise. Values are nominal; tolerances confirmed at quote.

BRONZE MARINE VALVE

# Wafer Check Valve (Marine)

REF **EFC-208** ISSUED **09 Jul 2026**

## SPECIFICATIONS

Size	<b>DN40 to DN800</b>
Pressure	<b>PN10 to PN25</b>
End connection	<b>wafer (DIN 2501)</b>



## MATERIALS

Body	<b>GG25, GGG40, St37, 304, 316, Bronze RG5, CuSn10</b>	Body seal	<b>EPDM, Viton, AISI 316, Bronze</b>
Disc	<b>AISI 304, AISI 316, Bronze</b>	Ring bolt	<b>St-Zn</b>

## FEATURES

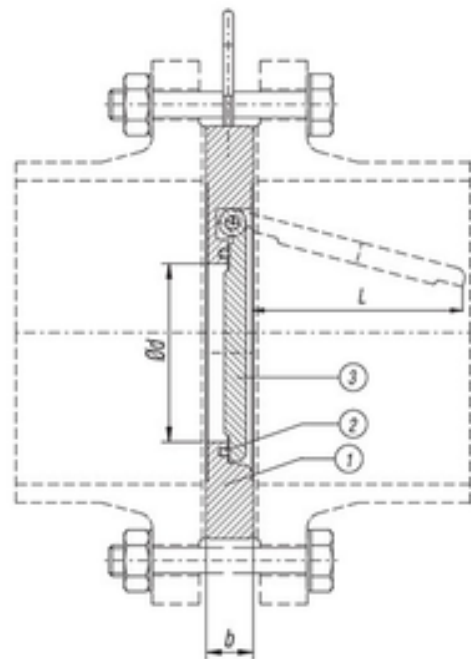
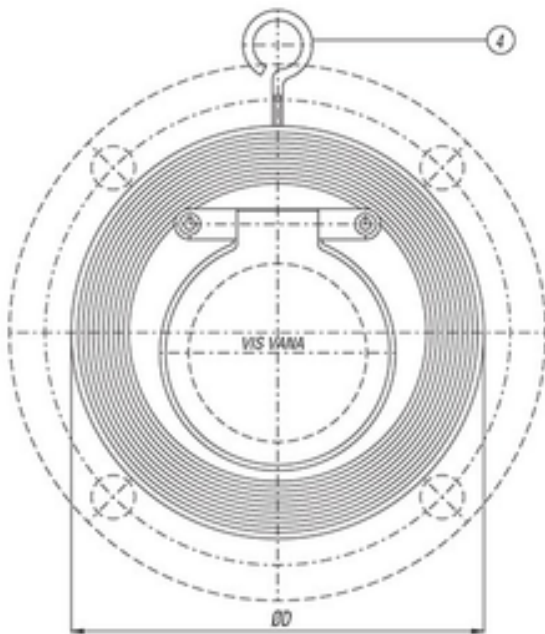
- Wafer (sandwich) type design for installation between flanges
- Single disc configuration
- Ring bolt (item 4) for handling/retention
- Available in multiple body and disc material combinations including bronze for marine service
- PN10, PN16, and PN25 pressure ratings available depending on size

Install, operate and maintain in accordance with the manufacturer's manual supplied with the product.

BRONZE MARINE VALVE

# Wafer Check Valve (Marine)

SECTION Technical drawing 1 REF EFC-208



Install, operate and maintain in accordance with the manufacturer's manual supplied with the product.

**EFC-208** · Specifications confirmed at quote

sales@euroflowcontrol.com · euroflowcontrol.com

BRONZE MARINE VALVE

# Wafer Check Valve (Marine)

SECTION Dimensions per size REF EFC-208

SIZE	ÖD	L	B	PN25 D	PN10 D	PN16 D	WEIGHT
DN40	20	30.5	16	92	—	—	0.8 kg
DN50	32	41.5	16	107	—	—	1 kg
DN65	38	51.5	null	127	—	—	1.3 kg
DN80	52	62	18	142	—	—	1.5 kg
DN100	70	92	18	170	—	—	2.2 kg
DN125	87	104	18	196	—	—	3.6 kg
DN150	110	129	22	226	—	—	5.3 kg
DN200	154	172	22	286	—	—	11 kg
DN250	190	212	32	343	329	331	16 kg
DN300	236	263	32	403	380	386	28 kg
DN350	265	258	38	460	440	446	37 kg
DN400	290	300	38	517	491	498	55 kg
DN450	330	330	44	567	541	558	66 kg
DN500	368	368	58	627	596	620	107 kg
DN600	435	435	68	734	608	737	158 kg
DN700	550	540	76	836	813	807	235 kg
DN800	650	640	89	945	920	914	364 kg

Dimensions in millimetres unless stated otherwise. Values are nominal; tolerances confirmed at quote.

Install, operate and maintain in accordance with the manufacturer's manual supplied with the product.

BRONZE MARINE VALVE

# Tilting Type Check Valve (Marine)

REF **EFC-209** ISSUED 09 Jul 2026

## SPECIFICATIONS

Size	<b>DN100 to DN1400</b>
Pressure	<b>PN10 to PN40</b>
End connection	<b>flanged (DIN EN 1092)</b>
Face-to-face	<b>DIN EN 558-14, BS 5155</b>
Temperature	<b>-10°C to 120°C</b>

## STANDARDS

Design	<b>DIN EN 558-1-16</b>
Test	<b>DIN EN 12266, API 598</b>



Install, operate and maintain in accordance with the manufacturer's manual supplied with the product.

**MATERIALS**

Body	<b>GGG 40, GGG 50, GSC25, 304, 316</b>	Disc	<b>GGG 40, GGG 50, GSC25, 304, 316</b>
Stem	<b>AISI 420 (X20Cr13), 304, 316</b>	Bushing	<b>Delrin, PTFE</b>
Retaining ring	<b>St37, 304, 316</b>	Cover driven end	<b>GGG 40, GGG 50, GSC25, 304, 316</b>
Sealing ring	<b>EPDM</b>	Lever	<b>Steel St-37</b>
Weight	<b>GG-25</b>	Key	<b>Steel Ck-45</b>
Setscrew	<b>Stainless Steel-A2</b>	O ring	<b>EPDM, BUNA-N</b>
Screw	<b>Stainless Steel-A2</b>	Bolt	<b>5D</b>

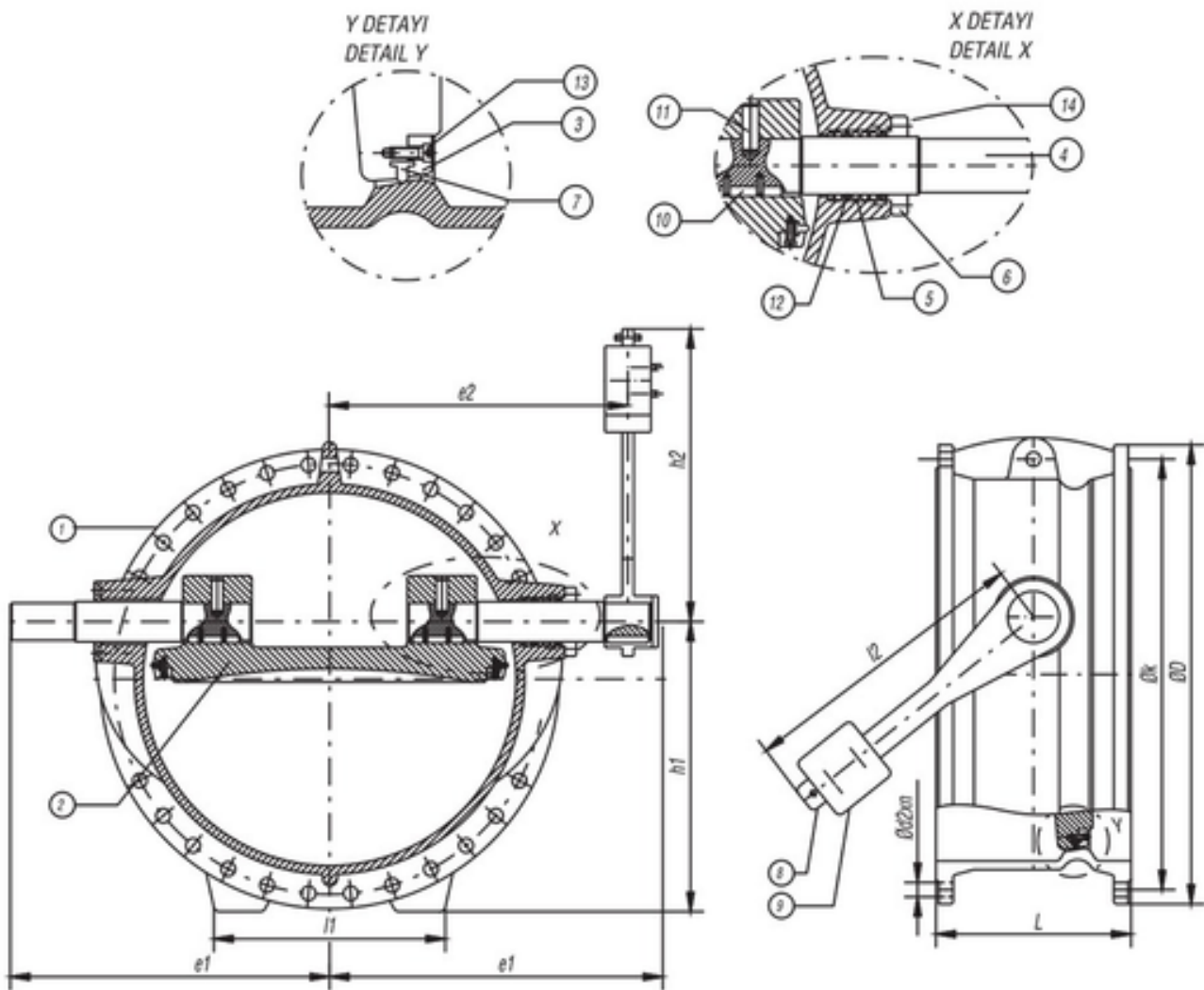
**FEATURES**

- Tilting disc design for check function
- External lever and counterweight mechanism
- Flanged end connections per DIN EN 1092
- Available in ductile iron, cast steel, and stainless steel body materials
- Bearing bush in Delrin or PTFE
- EPDM / BUNA-N O-ring sealing
- Size range DN100 to DN1400
- Pressure ratings PN10, PN16, PN25, PN40

BRONZE MARINE VALVE

# Tilting Type Check Valve (Marine)

SECTION Technical drawing 1 REF EFC-209



Install, operate and maintain in accordance with the manufacturer's manual supplied with the product.

BRONZE MARINE VALVE

# Tilting Type Check Valve (Marine)

SECTION Dimensions per size REF EFC-209

SIZE	D	K	BOLTSL_DIN3202F4 L_BS5155	E1	E2	H1	I1	I2	H2	WEIGHT		
DN100 (PN10)	220	180	Ø18x8	190	127	192	160	135	200	220	—	20 kg
DN100 (PN16)	220	180	Ø18x8	190	127	192	160	135	200	220	—	20 kg
DN100 (PN25)	235	190	Ø22x8	190	127	192	160	135	200	220	—	20 kg
DN100 (PN40)	235	190	Ø22x8	190	127	192	160	135	200	220	—	20 kg
DN125 (PN10)	250	210	Ø22x8	200	140	215	183	156	200	250	189	28 kg
DN125 (PN16)	250	210	Ø22x8	200	140	215	183	156	200	250	189	28 kg
DN125 (PN25)	270	220	Ø26x8	200	140	215	183	156	200	250	189	28 kg
DN125 (PN40)	270	220	Ø26x8	200	140	215	183	156	200	250	189	28 kg
DN150 (PN10)	285	240	Ø22x12	210	140	238	206	180	200	285	189	36 kg
DN150 (PN16)	285	240	Ø22x12	210	140	238	206	180	200	285	189	36 kg
DN150 (PN25)	300	250	Ø26x12	210	140	238	206	180	200	285	189	36 kg
DN150 (PN40)	300	250	Ø30x12	210	140	238	206	180	200	285	189	36 kg
DN200 (PN10)	340	295	Ø22x12	230	152	263	231	220	200	340	189	50 kg
DN200 (PN16)	340	295	Ø22x12	230	152	263	231	220	200	340	189	50 kg
DN200 (PN25)	360	310	Ø26x12	230	152	263	231	220	200	340	189	50 kg
DN200 (PN40)	375	320	Ø33x12	230	152	263	231	220	200	340	189	50 kg
DN250 (PN10)	395	350	Ø26x12	250	165	313	276	265	300	260	280	70 kg

Install, operate and maintain in accordance with the manufacturer's manual supplied with the product.

## Tilting Type Check Valve (Marine)

Dimensions per size (continued) · EFC-209

SIZE	D	K	BOLTSL_DIN3202F4 L_BS5155	E1	E2	H1	I1	I2	H2	WEIGHT		
DN250 (PN16)	405	355	Ø26x12	250	165	313	276	265	300	260	280	70 kg
DN250 (PN25)	425	370	Ø30x12	250	165	313	276	265	300	260	280	70 kg
DN250 (PN40)	450	385	Ø33x16	250	165	313	276	265	300	260	280	70 kg
DN300 (PN10)	445	400	Ø26x16	270	178	326	289	305	300	335	372	110 kg
DN300 (PN16)	460	410	Ø26x16	270	178	326	289	305	300	335	372	110 kg
DN300 (PN25)	485	430	Ø30x16	270	178	326	289	305	300	335	372	110 kg
DN300 (PN40)	515	450	Ø33x16	270	178	326	289	305	300	335	372	110 kg
DN350 (PN10)	505	460	Ø26x16	290	190	388	346	357	400	345	405	145 kg
DN350 (PN16)	520	470	Ø30x16	290	190	388	346	357	400	345	405	145 kg
DN350 (PN25)	555	490	Ø33x16	290	190	388	346	357	400	345	405	145 kg
DN350 (PN40)	580	510	Ø36x16	290	190	388	346	357	400	345	405	145 kg
DN400 (PN10)	565	515	Ø26x20	310	216	418	376	395	400	375	460	180 kg
DN400 (PN16)	580	525	Ø30x16	310	216	418	376	395	400	375	460	180 kg
DN400 (PN25)	620	550	Ø35x16	310	216	418	376	395	400	375	460	180 kg
DN400 (PN40)	660	585	Ø39x16	310	216	418	376	395	400	375	460	180 kg
DN450 (PN10)	615	565	Ø26x20	330	222	470	420	440	450	450	460	240 kg
DN450 (PN16)	640	585	Ø30x20	330	222	470	420	440	450	450	460	240 kg
DN450 (PN25)	670	600	Ø36x20	330	222	470	420	440	450	450	460	240 kg
DN450 (PN40)	685	610	Ø36x20	330	222	470	420	440	450	450	460	240 kg
DN500 (PN10)	670	620	Ø26x20	350	229	495	453	490	500	470	500	280 kg

Install, operate and maintain in accordance with the manufacturer's manual supplied with the product.

---

<b>DN500 (PN16)</b>	715	650	Ø30x20	350	229	495	453	490	500	470	500	280 kg
---------------------	-----	-----	--------	-----	-----	-----	-----	-----	-----	-----	-----	--------

---

Install, operate and maintain in accordance with the manufacturer's manual supplied with the product.

**EFC-209** · Specifications confirmed at quote

[sales@euroflowcontrol.com](mailto:sales@euroflowcontrol.com) · [euroflowcontrol.com](http://euroflowcontrol.com)

## Tilting Type Check Valve (Marine)

Dimensions per size (continued) · EFC-209

SIZE	D	K	BOLTSL_DIN3202F4 L_BS5155	E1	E2	H1	I1	I2	H2	WEIGHT		
<b>DN500 (PN25)</b>	730	660	Ø36x20	350	229	495	453	490	500	470	500	280 kg
<b>DN500 (PN40)</b>	755	720	Ø42x20	350	229	495	453	490	500	470	500	280 kg
<b>DN600 (PN10)</b>	780	725	Ø30x20	390	267	592	540	580	600	545	555	410 kg
<b>DN600 (PN16)</b>	840	800	Ø33x20	390	267	592	540	580	600	545	555	410 kg
<b>DN600 (PN25)</b>	845	770	Ø39x20	390	267	592	540	580	600	545	555	410 kg
<b>DN600 (PN40)</b>	890	795	Ø48x20	390	267	592	540	580	600	545	555	410 kg
<b>DN700 (PN10)</b>	895	840	Ø30x24	430	292	688	623	635	700	590	642	540 kg
<b>DN700 (PN16)</b>	910	950	Ø33x24	430	292	688	623	635	700	590	642	540 kg
<b>DN700 (PN25)</b>	960	875	Ø42x24	430	292	688	623	635	700	590	642	540 kg
<b>DN700 (PN40)</b>	995	900	Ø48x24	430	292	688	623	635	700	590	642	540 kg
<b>DN800 (PN10)</b>	1015	950	Ø33x28	470	318	725	656	713	800	660	735	680 kg
<b>DN800 (PN16)</b>	1025	1050	Ø36x28	470	318	725	656	713	800	660	735	680 kg
<b>DN800 (PN25)</b>	1085	990	Ø48x24	470	318	725	656	713	800	660	735	680 kg
<b>DN800 (PN40)</b>	1140	1030	Ø56x24	470	318	725	656	713	800	660	735	680 kg
<b>DN900 (PN10)</b>	1115	1050	Ø33x28	510	330	825	740	795	900	720	830	1050 kg
<b>DN900 (PN16)</b>	1125	1170	Ø36x28	510	330	825	740	795	900	720	830	1050 kg
<b>DN900 (PN25)</b>	1185	1090	Ø48x28	510	330	825	740	795	900	720	830	1050 kg
<b>DN900 (PN40)</b>	1250	1140	Ø56x24	510	330	825	740	795	900	720	830	1050 kg
<b>DN1000 (PN10)</b>	1230	1160	Ø36x28	550	410	832	764	890	1000	770	920	1250 kg
<b>DN1000 (PN16)</b>	1255	1380	Ø39x28	550	410	832	764	890	1000	770	920	1250 kg

Install, operate and maintain in accordance with the manufacturer's manual supplied with the product.

---

<b>DN1000 (PN25)</b>	1320	1210	Ø56x28	550	410	832	764	890	1000	770	920	1250 kg
----------------------	------	------	--------	-----	-----	-----	-----	-----	------	-----	-----	---------

---

Install, operate and maintain in accordance with the manufacturer's manual supplied with the product.

**EFC-209** · Specifications confirmed at quote

[sales@euroflowcontrol.com](mailto:sales@euroflowcontrol.com) · [euroflowcontrol.com](http://euroflowcontrol.com)

## Tilting Type Check Valve (Marine)

Dimensions per size (continued) · EFC-209

SIZE	D	K	BOLTSL_DIN3202F4 L_BS5155	E1	E2	H1	I1	I2	H2	WEIGHT		
<b>DN1000 (PN40)</b>	1360	1250	Ø62x32	550	410	832	764	890	1000	770	920	1250 kg
<b>DN1200 (PN10)</b>	1455	1380	Ø41x32	630	470	1000	900	1042	1200	965	1087	2100 kg
<b>DN1200 (PN16)</b>	1485	1590	Ø42x28	630	470	1000	900	1042	1200	965	1087	2100 kg
<b>DN1200 (PN25)</b>	1530	1420	Ø57x32	630	470	1000	900	1042	1200	965	1087	2100 kg
<b>DN1200 (PN40)</b>	1575	1460	Ø62x32	630	470	1000	900	1042	1200	965	1087	2100 kg
<b>DN1400 (PN10)</b>	1675	1590	Ø44x36	710	—	1246	1100	1200	1400	965	1280	3400 kg
<b>DN1400 (PN16)</b>	1685	1590	Ø50x36	710	—	1246	1100	1200	1400	965	1280	3400 kg
<b>DN1400 (PN25)</b>	1755	1640	Ø62x36	710	—	1246	1100	1200	1400	965	1280	3400 kg
<b>DN1400 (PN40)</b>	1795	1680	Ø62x36	710	—	1246	1100	1200	1400	965	1280	3400 kg

Dimensions in millimetres unless stated otherwise. Values are nominal; tolerances confirmed at quote.

Install, operate and maintain in accordance with the manufacturer's manual supplied with the product.

BRONZE MARINE VALVE

# Wafer Tilting Disc Check Valve (Marine)

REF **EFC-210** ISSUED 09 Jul 2026

## SPECIFICATIONS

Size	<b>DN40 to DN1000</b>
Pressure	<b>PN10 to PN25</b>
End connection	<b>wafer (DIN EN 1092)</b>
Face-to-face	<b>DIN EN 558-1-16</b>
Temperature	<b>-10°C to 120°C</b>

## STANDARDS

Test	<b>API 598, DIN EN 12266</b>
------	------------------------------



## MATERIALS

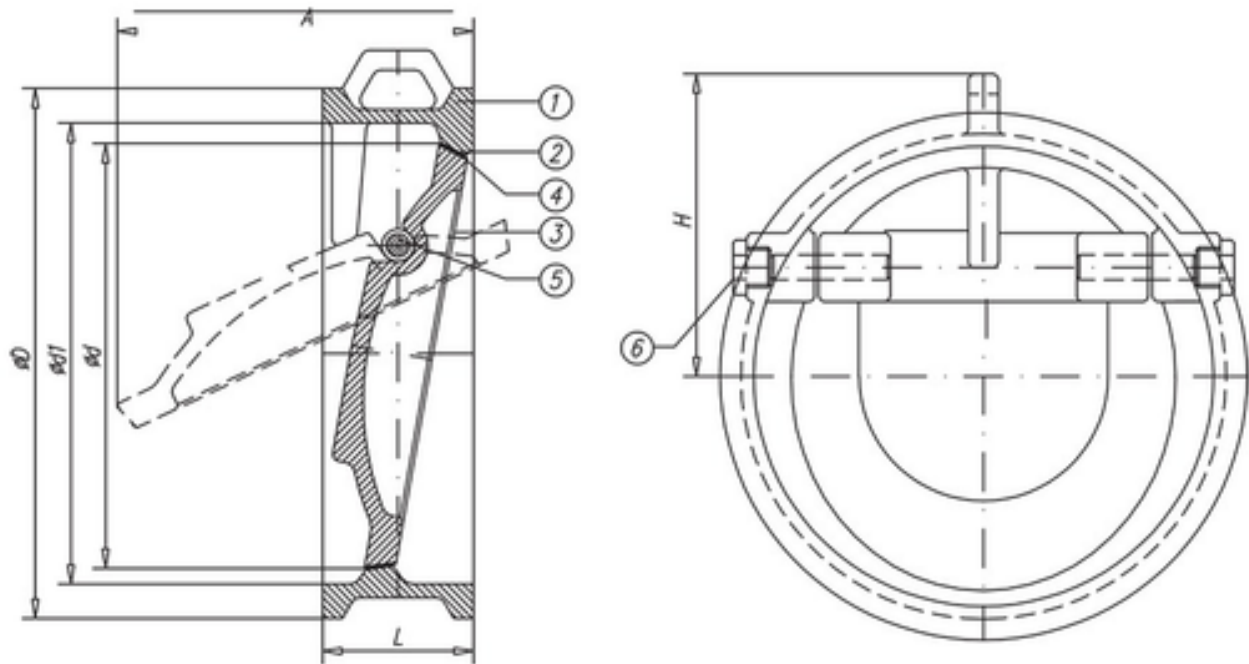
Body	<b>GG 25, GS-C 25, AISI 304, AISI 316, Bronze</b>	Seat	<b>Welded 13 Cr, Stellite 6, Stellite 21</b>
Disc	<b>AISI 304, AISI 316, Bronze, Cast Steel</b>	Disc seat	<b>Welded 13 Cr, Stellite 6, Stellite 21</b>
Stem	<b>AISI 304, AISI 316</b>	Plug	<b>AISI 304, AISI 316</b>

Install, operate and maintain in accordance with the manufacturer's manual supplied with the product.

BRONZE MARINE VALVE

# Wafer Tilting Disc Check Valve (Marine)

SECTION Technical drawing 1 REF EFC-210



Install, operate and maintain in accordance with the manufacturer's manual supplied with the product.

BRONZE MARINE VALVE

## Wafer Tilting Disc Check Valve (Marine)

SECTION Dimensions per size REF EFC-210

SIZE	ØD	ØD1	ØA	L	H	WEIGHT
DN40	34	40	45	33	—	0.8 kg
DN50	44	50	54	43	—	1 kg
DN65	58	65	64	46	—	2 kg
DN80	72	80	85	64	—	3 kg
DN100	90	100	95	64	—	4.5 kg
DN125	112	125	115	70	—	6.5 kg
DN150	135	150	135	76	—	7.5 kg
DN200	180	200	220	89	155	15 kg
DN250	225	250	220	114	182	26.5 kg
DN300	270	300	250	114	210	33.5 kg
DN350	315	350	295	127	240	54 kg
DN400	365	400	340	140	275	66 kg
DN450	410	450	370	152	300	92 kg
DN500	460	500	405	152	325	110 kg
DN600	555	600	500	178	390	178 kg
DN700	650	700	616	229	460	245 kg
DN800	745	800	670	241	515	385 kg
DN900	835	900	750	241	562	445 kg
DN1000	930	1000	760	300	625	780 kg

Dimensions in millimetres unless stated otherwise. Values are nominal; tolerances confirmed at quote.

Install, operate and maintain in accordance with the manufacturer's manual supplied with the product.

BRONZE MARINE VALVE

# U-Type Double Flanged Butterfly Valve (Marine)

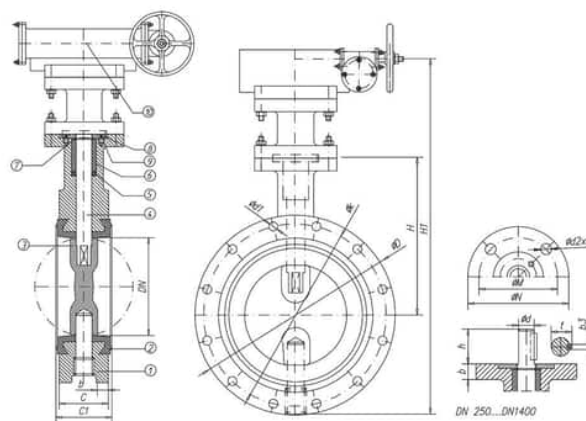
REF **EFC-211** ISSUED **09 Jul 2026**

## SPECIFICATIONS

Size	<b>DN40 to DN1400</b>
Pressure	<b>PN16 (16 bar)</b>
End connection	<b>flanged (DIN EN 1092) / flanged (DIN EN 1092-2 / BS 4504) / flanged (BS 4504 / ASME B16.5)</b>

## ACTUATION

- gearbox — GGG-40 gearbox (Di\_li Kutusu) — ISO 5211/1



## MATERIALS

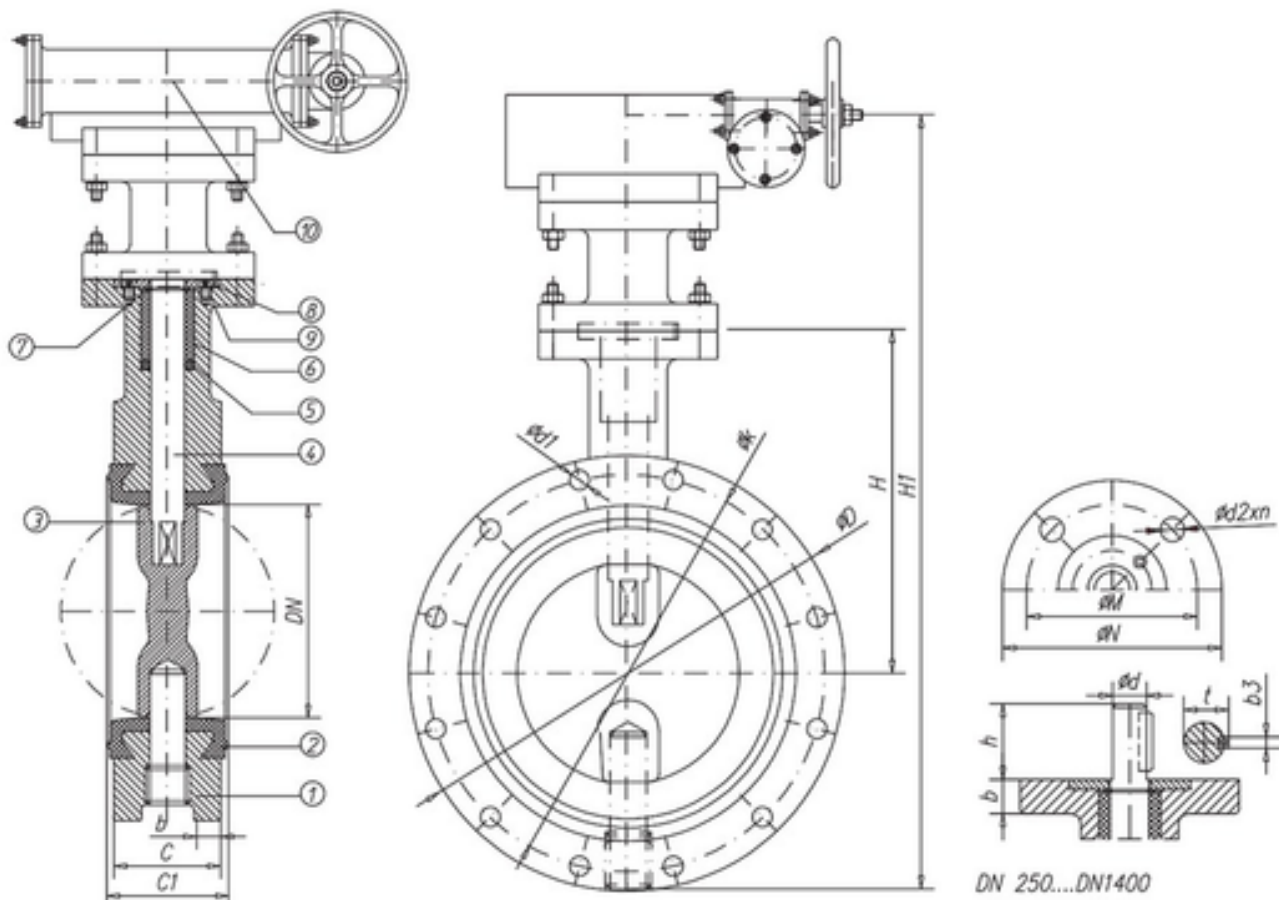
Body	<b>GG 25, GGG 40, GGG 50, GS-C 25</b>	Gasket	<b>EPDM, NBR, VITON</b>
Disc	<b>GGG 40, SS, Bronze</b>	Stem	<b>AISI 420, AISI 316</b>
O ring	<b>EPDM, NBR, VITON</b>	Gland bush	<b>PTFE, Bronze</b>
Segment	<b>St, SS</b>	Washer	<b>St-37, SS, Bronze</b>
Bolt	<b>A2, A4, SS</b>	Gearbox	<b>GGG-40</b>

Install, operate and maintain in accordance with the manufacturer's manual supplied with the product.

BRONZE MARINE VALVE

# U-Type Double Flanged Butterfly Valve (Marine)

SECTION Technical drawing 1 REF EFC-211



Install, operate and maintain in accordance with the manufacturer's manual supplied with the product.

BRONZE MARINE VALVE

## U-Type Double Flanged Butterfly Valve (Marine)

SECTION Dimensions per size REF EFC-211

SIZE	D	K	BOLTS	C	C1	H	H1	B	ON	OMOD2XAD	B1	OD	H	B3	T	WEIGHT	
<b>DN40 (PN16)</b>	150	110	4x18	33	37	130	260	10	65	50	7x4	10	14x9	32	8	—	4 kg
<b>DN40 (PN10)</b>	150	110	4x18	33	37	130	260	10	65	50	7x4	10	14x9	32	8	—	4 kg
<b>DN40 (Class150)</b>	127	98.5	4x16	33	37	130	260	10	65	50	7x4	10	14x9	32	8	—	4 kg
<b>DN50 (PN16)</b>	165	125	4x18	43	47	140	295	10	65	50	7x4	10	14x9	32	8	—	5 kg
<b>DN50 (PN10)</b>	165	125	4x18	43	47	140	295	10	65	50	7x4	10	14x9	32	8	—	5 kg
<b>DN50 (Class150)</b>	152.5	120.7	4x16	43	47	140	295	10	65	50	7x4	10	14x9	32	8	—	5 kg
<b>DN65 (PN16)</b>	185	145	8x18	46	50	152	310	11	65	50	7x4	10	14x9	32	8	—	7 kg
<b>DN65 (PN10)</b>	185	145	8x18	46	50	152	310	11	65	50	7x4	10	14x9	32	8	—	7 kg
<b>DN65 (Class150)</b>	178	139.7	4x16	46	50	152	310	11	65	50	7x4	10	14x9	32	8	—	7 kg
<b>DN80 (PN16)</b>	200	160	8x18	46	50	159	320	11	90	70	10x4	12	16x11	32	8	—	9 kg
<b>DN80 (PN10)</b>	200	160	8x18	46	50	159	320	11	90	70	10x4	12	16x11	32	8	—	9 kg
<b>DN80 (Class150)</b>	190.5	152.4	4x19	46	50	159	320	11	90	70	10x4	12	16x11	32	8	—	9 kg
<b>DN100 (PN16)</b>	220	180	8x18	52	56	177	360	12	90	70	10x4	12	16x11	32	8	—	12 kg
<b>DN100 (PN10)</b>	220	180	8x18	52	56	177	360	12	90	70	10x4	12	16x11	32	8	—	12 kg
	228.6	190.5	8x19	52	56	177	360	12	90	70	10x4	12	16x11	32	8	—	12 kg

Install, operate and maintain in accordance with the manufacturer's manual supplied with the product.

<b>DN100 (Class150)</b>																		
<b>DN125 (PN16)</b>	250	210	8x22	56	60	190	400	13	125	102	12x4	16	22	60	12	25		14 kg
<b>DN125 (PN10)</b>	235	195	8x22	56	60	190	400	13	125	102	12x4	16	22	60	12	25		14 kg
<b>DN125 (Class150)</b>	254	216	8x22	56	60	190	400	13	125	102	12x4	16	22	60	12	25		14 kg

Install, operate and maintain in accordance with the manufacturer's manual supplied with the product.

## U-Type Double Flanged Butterfly Valve (Marine)

Dimensions per size (continued) · EFC-211

SIZE	D	K	BOLTS	C	C1	H	H1	B	ON	OMOD2XAD	B1	OD	H	B3	T	WEIGHT	
<b>DN150 (PN16)</b>	285	240	8x22	60	64	203	430	13	125	102	12x4	16	22	60	12	25	19 kg
<b>DN150 (PN10)</b>	270	225	8x22	60	64	203	430	13	125	102	12x4	16	22	60	12	25	19 kg
<b>DN150 (Class150)</b>	279.5	241.3	8x22	60	64	203	430	13	125	102	12x4	16	22	60	12	25	19 kg
<b>DN200 (PN16)</b>	340	295	12x22	68	71	241	550	15	175	140	18x4	22	28	60	12	31	22 kg
<b>DN200 (PN10)</b>	300	250	8x22	68	71	241	550	15	175	140	18x4	22	28	60	12	31	22 kg
<b>DN200 (Class150)</b>	343	298.5	8x19	68	71	241	550	15	175	140	18x4	22	28	60	12	31	22 kg
<b>DN250 (PN16)</b>	405	355	12x26	78	84	250	600	15	175	140	18x4	22	38	60	12	43	32 kg
<b>DN250 (PN10)</b>	350	300	12x22	78	84	250	600	15	175	140	18x4	22	38	60	12	43	32 kg
<b>DN250 (Class150)</b>	406.5	362	12x22	78	84	250	600	15	175	140	18x4	22	38	60	12	43	32 kg
<b>DN300 (PN16)</b>	460	410	12x26	102	108	282	620	20	210	165	22x4	26	38	70	14	43	42 kg
<b>DN300 (PN10)</b>	400	350	12x22	102	108	282	620	20	210	165	22x4	26	38	70	14	43	42 kg
<b>DN300 (Class150)</b>	482.5	431.8	12x22	102	108	282	620	20	210	165	22x4	26	38	70	14	43	42 kg
<b>DN350 (PN16)</b>	520	470	16x26	114	120	320	700	20	210	165	22x4	26	45	70	14	50.5	55 kg
<b>DN350 (PN10)</b>	450	400	16x22	114	120	320	700	20	210	165	22x4	26	45	70	14	50.5	55 kg
<b>DN350 (Class150)</b>	533.5	476.3	12x25	114	120	320	700	20	210	165	22x4	26	45	70	14	50.5	55 kg
<b>DN400 (PN16)</b>	580	525	16x30	127	133	360	825	20	300	254	18x8	32	55	90	20	60.5	110 kg
<b>DN400 (PN10)</b>	515	460	16x26	127	133	360	825	20	300	254	18x8	32	55	90	20	60.5	110 kg

Install, operate and maintain in accordance with the manufacturer's manual supplied with the product.

<b>DN400 (Class150)</b>	597	540	16x25	127	133	360	825	20	300	254	18x8	32	55	90	20	60.5	110 kg
<b>DN450 (PN16)</b>	640	585	20x30	154	160	408	900	25	300	254	18x8	32	60	90	20	65.5	145 kg
<b>DN450 (PN10)</b>	565	515	20x26	154	160	408	900	25	300	254	18x8	32	60	90	20	65.5	145 kg
<b>DN450 (Class150)</b>	635	578	20x25	154	160	408	900	25	300	254	18x8	32	60	90	20	65.5	145 kg
<b>DN500 (PN16)</b>	715	650	20x33	165	171	432	1000	25	300	254	18x8	32	80	100	32	85.5	184 kg
<b>DN500 (PN10)</b>	615	565	20x26	165	171	432	1000	25	300	254	18x8	32	80	100	32	85.5	184 kg

Install, operate and maintain in accordance with the manufacturer's manual supplied with the product.

## U-Type Double Flanged Butterfly Valve (Marine)

Dimensions per size (continued) · EFC-211

SIZE	D	K	BOLTS	C	C1	H	H1	B	ON	OMOD2XAD	B1	OD	H	B3	T	WEIGHT	
<b>DN500</b> (Class150)	699.5	635	20x29	165	171	432	1000	25	300	254	18x8	32	80	100	32	85.5	184 kg
<b>DN600 (PN16)</b>	840	770	20x33	190	196	520	1100	25	350	298	22x8	35	80	100	32	85.5	262 kg
<b>DN600 (PN10)</b>	720	670	20x30	190	196	520	1100	25	350	298	22x8	35	80	100	32	85.5	262 kg
<b>DN600</b> (Class150)	749.8	749.3	20x32	190	196	520	1100	25	350	298	22x8	35	80	100	32	85.5	262 kg
<b>DN700 (PN16)</b>	910	840	24x33	203	208	550	1150	30	350	298	22x8	35	90	100	40	97.5	350 kg
<b>DN700 (PN10)</b>	780	725	24x30	203	208	550	1150	30	350	298	22x8	35	90	100	40	97.5	350 kg
<b>DN700</b> (Class150)	863	835	28x32	203	208	550	1150	30	350	298	22x8	35	90	100	40	97.5	350 kg
<b>DN800 (PN16)</b>	1025	950	24x36	216	224	585	1250	32	415	356	33x8	35	90	120	40	97.5	450 kg
<b>DN800 (PN10)</b>	895	800	24x33	216	224	585	1250	32	415	356	33x8	35	90	120	40	97.5	450 kg
<b>DN800</b> (Class150)	927	978	28x35	216	224	585	1250	32	415	356	33x8	35	90	120	40	97.5	450 kg
<b>DN900 (PN16)</b>	1125	1050	28x36	254	262	630	1350	32	415	356	33x8	35	120	120	40	128.1	582 kg
<b>DN900 (PN10)</b>	1015	900	28x33	254	262	630	1350	32	415	356	33x8	35	120	120	40	128.1	582 kg
<b>DN900</b> (Class150)	1060	1086	32x35	254	262	630	1350	32	415	356	33x8	35	120	120	40	128.1	582 kg
<b>DN1000 (PN16)</b>	1255	1170	28x39	254	262	770	1400	34	415	356	33x8	35	120	170	40	128.1	710 kg
<b>DN1000 (PN10)</b>	1115	1000	28x36	254	262	770	1400	34	415	356	33x8	35	120	170	40	128.1	710 kg
<b>DN1000</b> (Class150)	1200	1200	32x35	254	262	770	1400	34	415	356	33x8	35	120	170	40	128.1	710 kg

Install, operate and maintain in accordance with the manufacturer's manual supplied with the product.

<b>DN1100 (PN16)</b>	1355	1280	32x39	280	288	840	1500	36	415	356	33x8	35	120	170	40	128.1	1150 kg
<b>DN1100 (PN10)</b>	1230	1100	28x36	280	288	840	1500	36	415	356	33x8	35	120	170	40	128.1	1150 kg
<b>DN1100 (Class150)</b>	1314	1314	32x38	280	288	840	1500	36	415	356	33x8	35	120	170	40	128.1	1150 kg
<b>DN1200 (PN16)</b>	1485	1390	32x42	280	288	900	1700	40	415	356	33x8	35	120	170	40	128.1	1300 kg
<b>DN1200 (PN10)</b>	1340	1200	32x39	280	288	900	1700	40	415	356	33x8	35	120	170	40	128.1	1300 kg
<b>DN1200 (Class150)</b>	1422	1422	32x41	280	288	900	1700	40	415	356	33x8	35	120	170	40	128.1	1300 kg

Install, operate and maintain in accordance with the manufacturer's manual supplied with the product.

## U-Type Double Flanged Butterfly Valve (Marine)

Dimensions per size (continued) · EFC-211

SIZE	D	K	BOLTS	C	C1	H	H1	B	ON	OMOD2XAD	B1	OD	H	B3	T	WEIGHT	
<b>DN1300 (PN16)</b>	1590	1490	36x42	280	288	970	1800	40	415	356	33x8	35	120	170	40	128.1	1550 kg
<b>DN1300 (PN10)</b>	1455	1390	36x39	280	288	970	1800	40	415	356	33x8	35	120	170	40	128.1	1550 kg
<b>DN1300 (Class150)</b>	1537	1537	36x44	280	288	970	1800	40	415	356	33x8	35	120	170	40	128.1	1550 kg
<b>DN1400 (PN16)</b>	1685	1590	36x49	280	288	1025	1900	44	415	356	33x8	35	120	170	40	128.1	1810 kg
<b>DN1400 (PN10)</b>	1575	1490	36x42	280	288	1025	1900	44	415	356	33x8	35	120	170	40	128.1	1810 kg
<b>DN1400 (Class150)</b>	1651	1651	44x48	280	288	1025	1900	44	415	356	33x8	35	120	170	40	128.1	1810 kg

Dimensions in millimetres unless stated otherwise. Values are nominal; tolerances confirmed at quote.

Install, operate and maintain in accordance with the manufacturer's manual supplied with the product.

FIRE HYDRANT

# Fire Valve Straight Type

REF **EFC-161** ISSUED 09 Jul 2026

## SPECIFICATIONS

Size	<b>DN40 to DN65</b>
Pressure	<b>PN16</b>
End connection	<b>flanged (EN 1092-3/B)</b>
Face-to-face	<b>Manufacturer standard</b>
Media	<b>water, fire-fighting water</b>

## ACTUATION

- manual handwheel — GG25 or Bronze Rg5 handwheel

## STANDARDS

Design	<b>BS 5041, DIN 86211</b>
Test	<b>EN 12266</b>

## APPLICATIONS

- fire fighting
- fire hydrant systems



Install, operate and maintain in accordance with the manufacturer's manual supplied with the product.

**MATERIALS**

Body	<b>Bronze Rg5, CuSn10, GS-C25</b>	Disc	<b>Bronze Rg5, CuSn10, GS-C25</b>
Seat	<b>NBR, EPDM</b>	Stem	<b>Cu Zn39Pb3, SS 420, SS316</b>
Gasket	<b>NBR, EPDM, Klingerite</b>	Bonnet	<b>Bronze Rg5, CuSn10, GS-C25</b>
Packing	<b>Graphite, PTFE</b>	Gland	<b>Brass Ms58, SS420</b>
Gland nut	<b>Brass Ms58</b>	Handwheel	<b>GG 25, Bronze Rg5</b>
Bolt	<b>A2 (SS304)</b>	Fixed coupling	<b>Bronze Rg5, Aluminum</b>
Seal coupling	<b>NBR, EPDM</b>	Blind coupling	<b>Bronze Rg5, Aluminum</b>
Chain rope	<b>SS</b>		

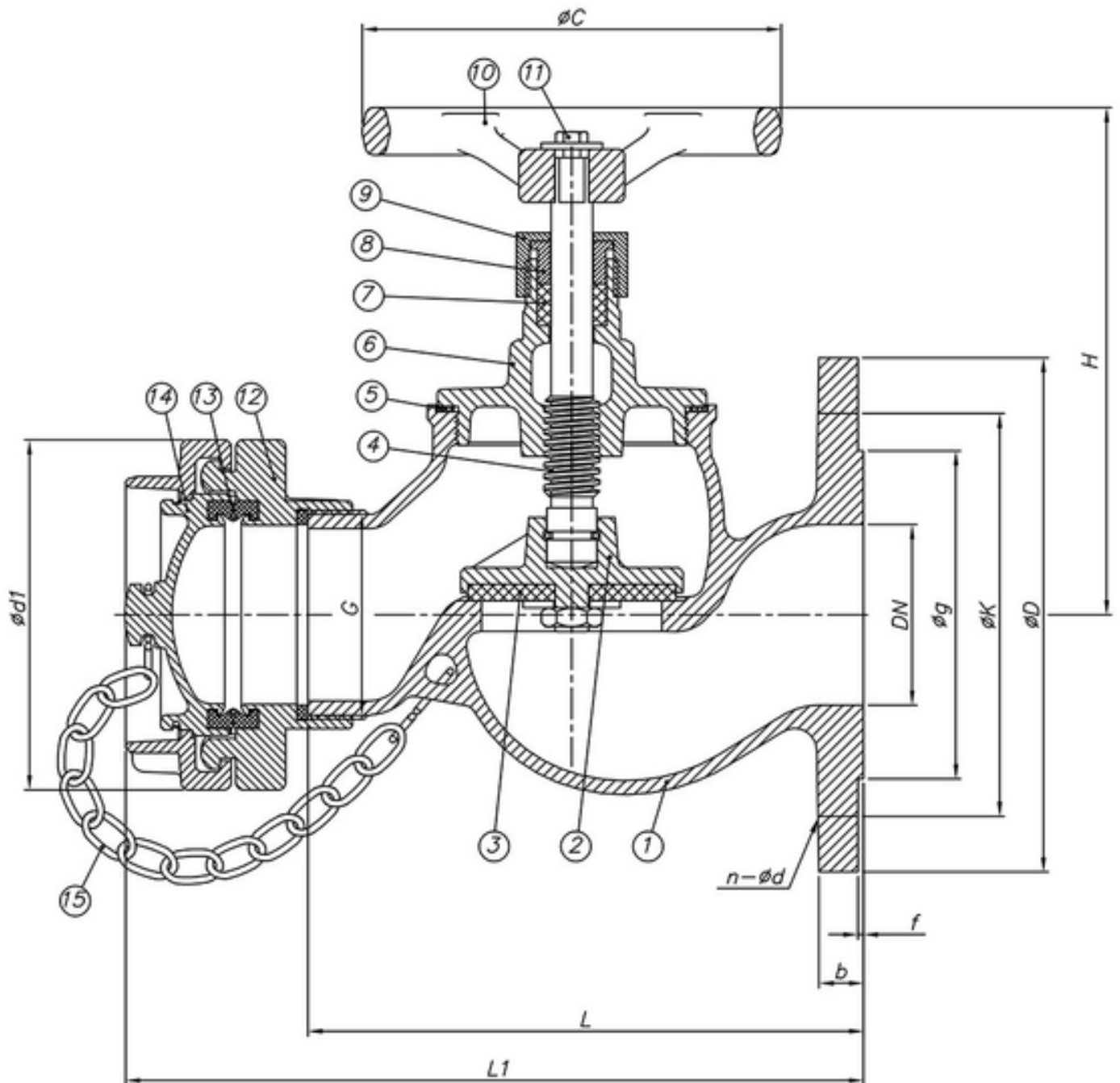
**FEATURES**

- Screwed bonnet construction
- Straight-type body configuration
- Coupling options: Storz, BS 336, Nor, Nakajima
- Flange options available in ASME, JIS, VG in addition to EN 1092-3/B
- Fixed and blind coupling accessories included
- Chain/rope retainer for coupling cap

FIRE HYDRANT

# Fire Valve Straight Type

SECTION Technical drawing 1 REF EFC-161



Install, operate and maintain in accordance with the manufacturer's manual supplied with the product.

FIRE HYDRANT

# Fire Valve Straight Type

SECTION Dimensions per size REF EFC-161

SIZE	L	L1	H_CLOSE	H_OPEN	G	D1	C	OD	OK	OG	B	F	N_OD	WEIGHT
DN40	150	220	160	170	1-1/2" inch	98	140	150	110	84	14	2	4-18	6.5 kg
DN50	165	235	165	180	2" inch	98	140	165	125	99	16	2	4-18	8 kg
DN65	200	265	185	205	2-1/2" inch	126	150	185	145	118	16	2	4-18	11.5 kg

*Dimensions in inches unless stated otherwise. Values are nominal; tolerances confirmed at quote.*

Install, operate and maintain in accordance with the manufacturer's manual supplied with the product.

**EFC-161** · Specifications confirmed at quote

sales@euroflowcontrol.com · euroflowcontrol.com

FIRE HYDRANT

# Angle Type Fire Valve

REF **EFC-162** ISSUED 09 Jul 2026

## SPECIFICATIONS

Size	<b>DN40 to DN65</b>
Pressure	<b>PN16</b>
End connection	<b>flanged (EN 1092-3/B)</b>
Face-to-face	<b>DIN 86211</b>

## ACTUATION

- manual handwheel — GG 25 or Bronze Rg5 handwheel

## STANDARDS

Design	<b>BS 5041, DIN 86211</b>
Test	<b>EN 12266</b>

## MATERIALS

Body	<b>Bronze Rg5, CuSn10, GS-C25</b>	Disc	<b>Bronze Rg5, CuSn10, GS-C25</b>
Seat	<b>NBR, EPDM</b>	Stem	<b>Cu Zn39Pb3, SS 420, SS316</b>
Gasket	<b>NBR, EPDM, Klingerite</b>	Bonnet	<b>Bronze Rg5, CuSn10, GS-C25</b>
Packing	<b>Graphite, PTFE</b>	Gland	<b>Brass Ms58, SS420</b>
Gland nut	<b>Brass Ms58</b>	Handwheel	<b>GG 25, Bronze Rg5</b>
Bolt	<b>A2 (SS304)</b>	Fixed coupling	<b>Bronze Rg5, Aluminum</b>
Seal coupling	<b>NBR, EPDM</b>	Blind coupling	<b>Bronze Rg5, Aluminum</b>
Chain rope	<b>SS</b>		

## FEATURES

- Screwed bonnet design
- Angle type configuration
- Compatible with Storz, BS 336, Nor, and Nakajima coupling standards
- Flange options available: ASME, JIS, VG
- Fixed and blind coupling options included
- Chain/rope retainer for blind coupling in stainless steel

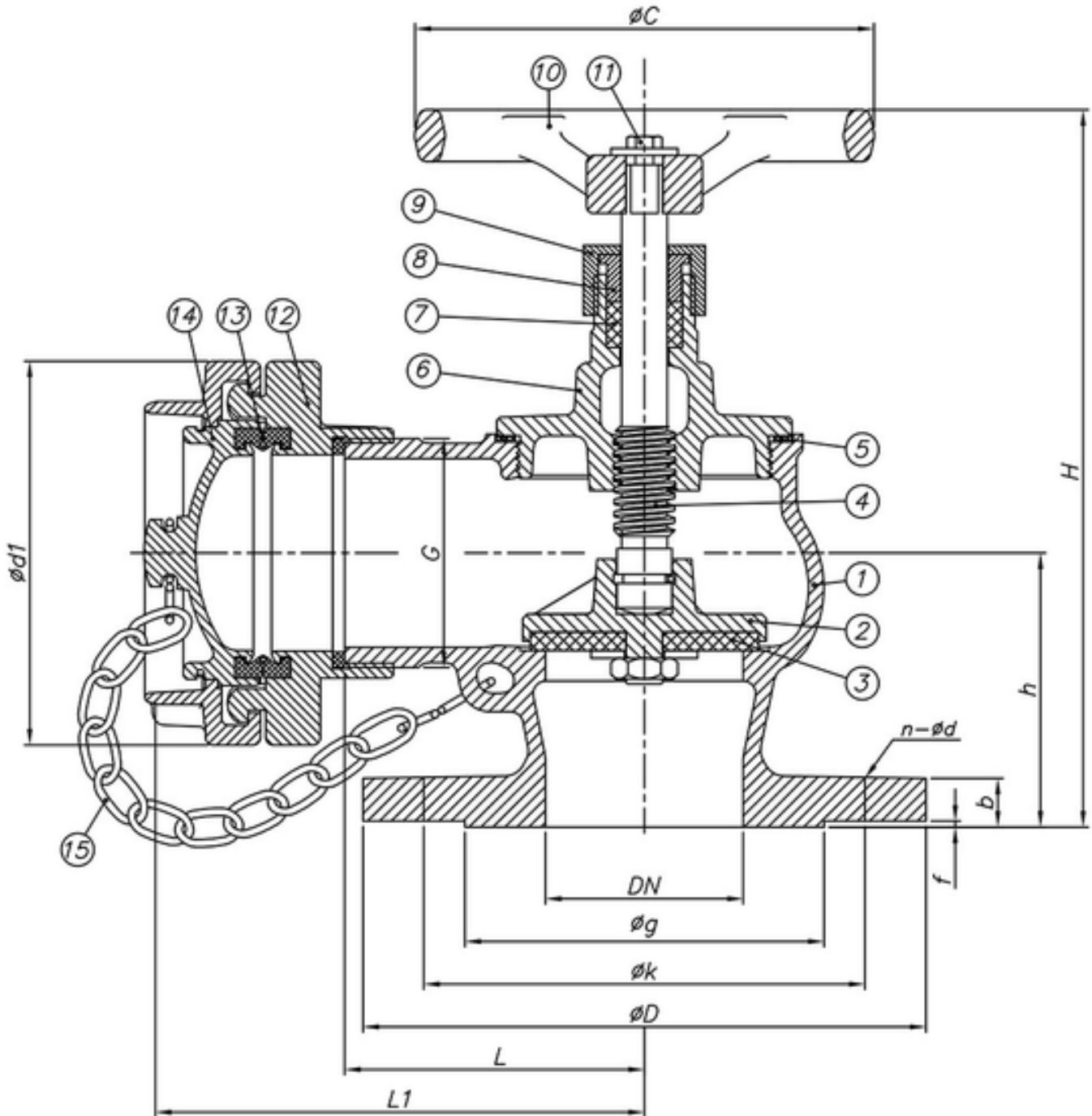
Install, operate and maintain in accordance with the manufacturer's manual supplied with the product.



FIRE HYDRANT

# Angle Type Fire Valve

SECTION Technical drawing 1 REF EFC-162



Install, operate and maintain in accordance with the manufacturer's manual supplied with the product.

FIRE HYDRANT

# Angle Type Fire Valve

SECTION Dimensions per size REF EFC-162

SIZE	L	L1	HH_CLOSED	H_OPEN	D1	C	OD	OK	OG	B	F	WEIGHT	
DN40	75	145	65	200	215	98	140	150	110	84	14	2	6 kg
DN50	75	145	75	210	225	98	140	165	125	99	16	2	7.3 kg
DN65	95	160	90	235	255	126	150	185	145	118	16	2	10.5 kg

*Dimensions in millimetres unless stated otherwise. Values are nominal; tolerances confirmed at quote.*

Install, operate and maintain in accordance with the manufacturer's manual supplied with the product.

**EFC-162** · Specifications confirmed at quote

sales@euroflowcontrol.com · euroflowcontrol.com

FIRE HYDRANT

# Angle Type 30 Oblique Type Fire Valve

REF **EFC-163** ISSUED 09 Jul 2026

## SPECIFICATIONS

Size	<b>DN40 to DN65</b>
Pressure	<b>PN16</b>
End connection	<b>flanged (EN 1092-3/B) / flanged (ASME) / flanged (JIS) / flanged (VG)</b>
Face-to-face	<b>Manufacturer standard</b>

## ACTUATION

- manual handwheel — GG 25 or Bronze Rg5 handwheel

## STANDARDS

Design	<b>BS 5041, DIN 86211</b>
Test	<b>EN 12266</b>

## MATERIALS

Body	<b>Bronze Rg5, CuSn10, GS-C25</b>	Disc	<b>Bronze Rg5, CuSn10, GS-C25</b>
Seal	<b>NBR, EPDM</b>	Stem	<b>Cu Zn39Pb3, SS 420, SS316</b>
Gasket	<b>NBR, EPDM, Klingerite</b>	Bonnet	<b>Bronze Rg5, CuSn10, GS-C25</b>
Packing	<b>Graphite, PTFE</b>	Gland	<b>Brass Ms58, SS420</b>
Gland nut	<b>Brass Ms58</b>	Handwheel	<b>GG 25, Bronze Rg5</b>
Bolt	<b>A2 (SS304)</b>	Fixed coupling	<b>Bronze Rg5, Aluminum</b>
Seal 13	<b>NBR, EPDM</b>	Blind coupling	<b>Bronze Rg5, Aluminum</b>
Chain rope	<b>SS</b>		

## FEATURES

- 30° oblique body configuration
- Screwed bonnet design
- Coupling options: Storz, BS 336, Nor, Nakajima
- Fixed and blind coupling accessories
- Chain/rope retention for blind coupling

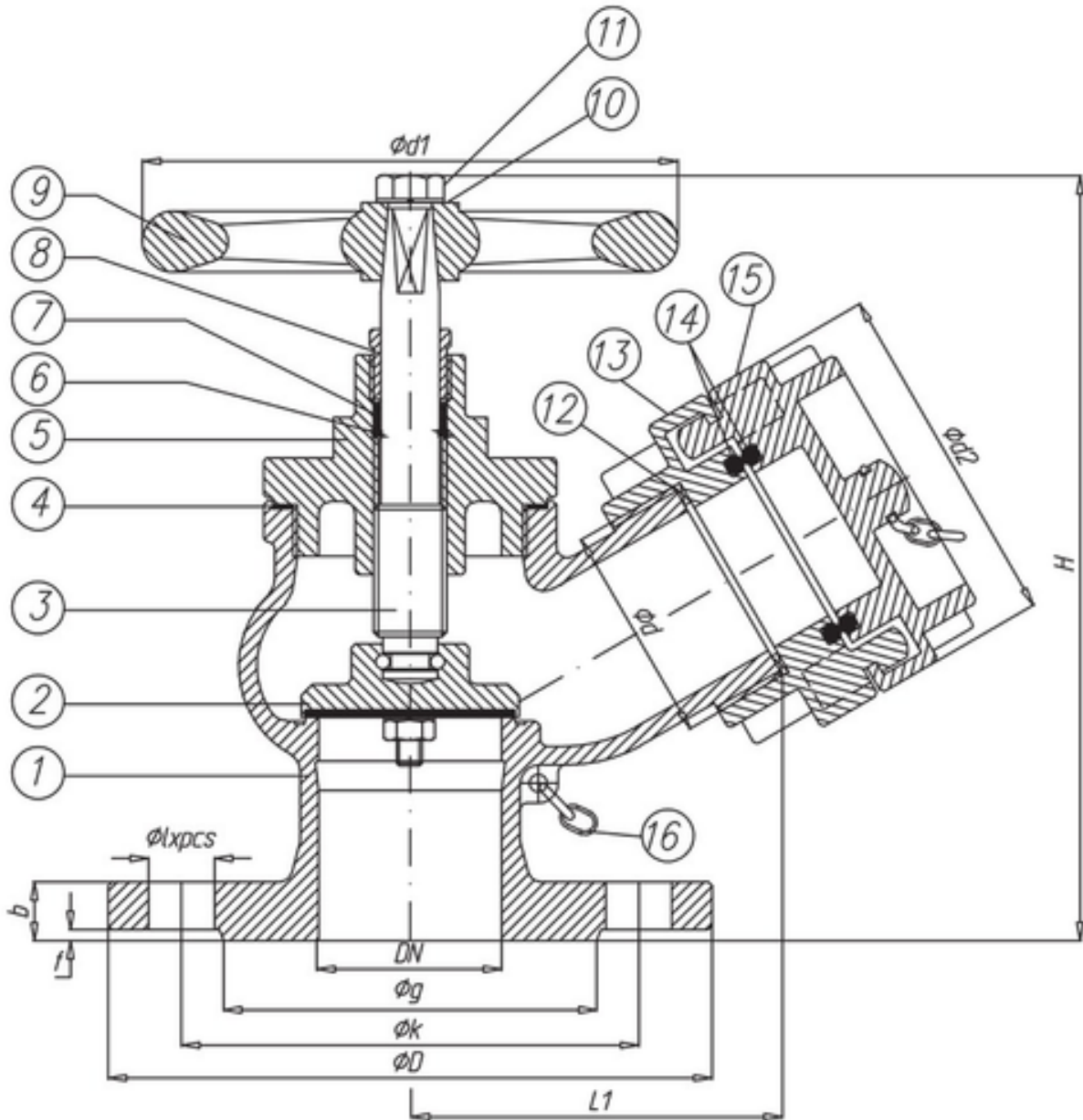
Install, operate and maintain in accordance with the manufacturer's manual supplied with the product.



FIRE HYDRANT

# Angle Type 30 Oblique Type Fire Valve

SECTION Technical drawing 1 REF EFC-163



Install, operate and maintain in accordance with the manufacturer's manual supplied with the product.

FIRE HYDRANT

# Angle Type 30 Oblique Type Fire Valve

SECTION Dimensions per size REF EFC-163

SIZE	L	L1	H_CLOSE	H_OPEN	G	D1	C	OD	OK	OG	B	F	N_OD	WEIGHT
DN40	85	151	200	210	1-1/2"	98	140	150	110	84	14	2	4-18	6.4 kg
DN50	96	159	205	220	2"	98	140	165	125	99	16	2	4-18	7.7 kg
DN65	116	180	235	255	2-1/2"	126	150	185	145	118	16	2	4-18	11.4 kg

*Dimensions in millimetres unless stated otherwise. Values are nominal; tolerances confirmed at quote.*

Install, operate and maintain in accordance with the manufacturer's manual supplied with the product.

**EFC-163** · Specifications confirmed at quote

sales@euroflowcontrol.com · euroflowcontrol.com

FIRE HYDRANT

# Threaded Angle Type Fire Valve

REF **EFC-164** ISSUED 09 Jul 2026

## SPECIFICATIONS

Size	<b>DN40 to DN65</b>
Pressure	<b>PN16</b>
End connection	<b>threaded (ISO 228-1) / flanged (EN 1092-3/B)</b>
Media	<b>water, fire fighting water</b>

## ACTUATION

- manual handwheel — GG 25 or Bronze Rg5 handwheel

## STANDARDS

Design	<b>DIN 86211</b>
Test	<b>EN 12266</b>

## APPLICATIONS

- fire fighting
- fire hydrant systems



Install, operate and maintain in accordance with the manufacturer's manual supplied with the product.

**MATERIALS**

Body	<b>Bronze Rg5, CuSn10, GS-C25</b>	Disc	<b>Bronze Rg5, CuSn10, GS-C25</b>
Seat	<b>NBR, EPDM</b>	Stem	<b>Cu Zn39Pb3, SS 420, SS316</b>
Gasket	<b>NBR, EPDM, Klingerite</b>	Bonnet	<b>Bronze Rg5, CuSn10, GS-C25</b>
Packing	<b>Graphite, PTFE</b>	Gland	<b>Brass Ms58, SS420</b>
Gland nut	<b>Brass Ms58</b>	Handwheel	<b>GG 25, Bronze Rg5</b>
Bolt	<b>A2 (SS304)</b>	Fixed coupling	<b>Bronze Rg5, Aluminum</b>
Coupling seal	<b>NBR, EPDM</b>	Blind coupling	<b>Bronze Rg5, Aluminum</b>
Chain rope	<b>SS</b>		

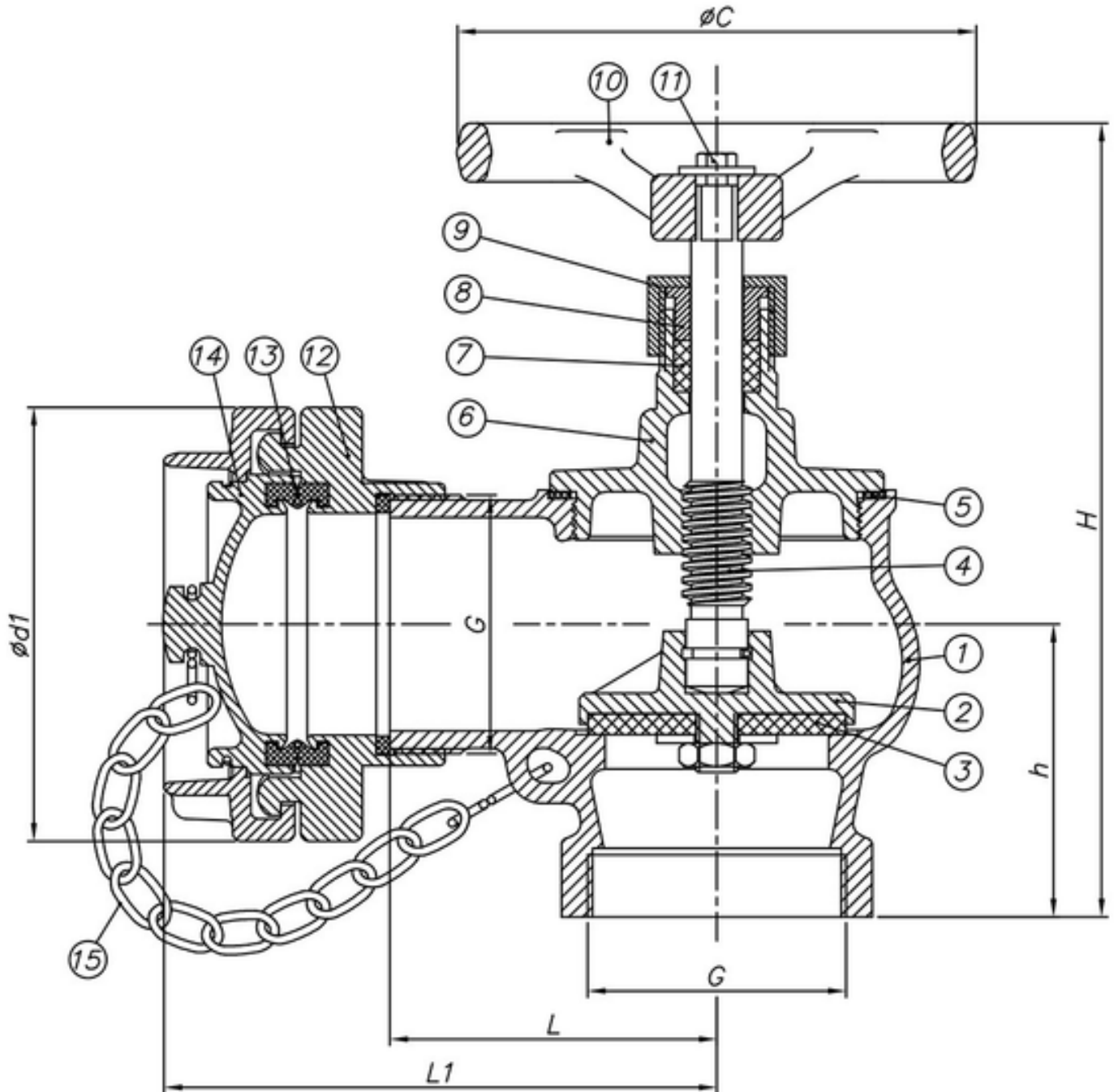
**FEATURES**

- Angle type configuration
- BSP threaded inlet connection per ISO 228-1
- Compatible with Storz, BS 336, Nor, and Nakajima coupling options
- Fixed and blind coupling options available
- Chain/rope retainer for blind coupling
- Flange outlet to EN 1092-3/B PN10/PN16

FIRE HYDRANT

# Threaded Angle Type Fire Valve

SECTION Technical drawing 1 REF EFC-164



Install, operate and maintain in accordance with the manufacturer's manual supplied with the product.

FIRE HYDRANT

# Threaded Angle Type Fire Valve

SECTION Dimensions per size REF EFC-164

SIZE	L	L1	HH_CLOSEDHH_OPEN		G	D1	C	OD	OK	OG	B	F	N_OD	WEIGHT	
DN40	75	145	65	200	215	1-1/2" BSP	98	140	150	110	84	14	2	4-18	6 kg
DN50	75	145	75	210	225	2" BSP	98	140	165	125	99	16	2	4-18	7.3 kg
DN65	95	160	90	235	255	2-1/2" BSP	126	150	185	145	118	16	2	4-18	10.5 kg

Dimensions in millimetres unless stated otherwise. Values are nominal; tolerances confirmed at quote.

Install, operate and maintain in accordance with the manufacturer's manual supplied with the product.

**EFC-164** · Specifications confirmed at quote

sales@euroflowcontrol.com · euroflowcontrol.com

FIRE HYDRANT

# Fire Hydrant Diaphragm Valve

REF **EFC-165** ISSUED 09 Jul 2026

## SPECIFICATIONS

Size	<b>DN65 to DN80</b>
Pressure	<b>Class 150</b>
End connection	<b>flanged (ASME B16.5) / flanged (EN) / flanged (JIS) / flanged (VG)</b>
Face-to-face	<b>Manufacturer standard, DIN 86211</b>

## ACTUATION

- manual handwheel — GG 25 or Bronze Rg5 handwheel

## STANDARDS

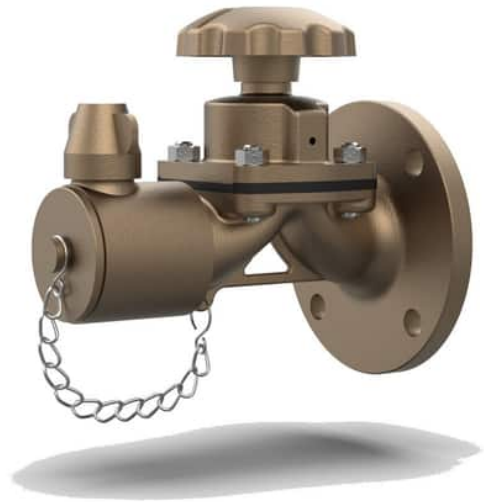
Design	<b>Manufacturer standard</b>
Test	<b>EN 12266, API 598</b>

## MATERIALS

Body	<b>Bronze Rg5</b>	Diaphragm	<b>Bronze Rg5</b>
Disc	<b>Reinforced Rubber</b>	Bonnet	<b>Bronze Rg5, CuSn10, GS-C25</b>
Bolt nut	<b>A2 (SS304)</b>	Stem	<b>Cu Zn39Pb3, SS 420, SS316</b>
Handwheel	<b>GG 25, Bronze Rg5</b>	Spring pin	<b>SS302</b>
Fixed coupling	<b>Bronze Rg5, Aluminum</b>	Gasket	<b>NBR, EPDM</b>
Coupling seal	<b>NBR, EPDM</b>	Coupling cover	<b>Bronze Rg5, Aluminum</b>
Chain rope	<b>SS</b>		

## FEATURES

- Diaphragm-type construction for fire-fighting service
- Coupling options: Storz, BS 336, Nor, Nakajima
- Chain/rope retention for coupling cover
- Multiple flange standards available (EN, JIS, VG) in addition to ASME B16.5

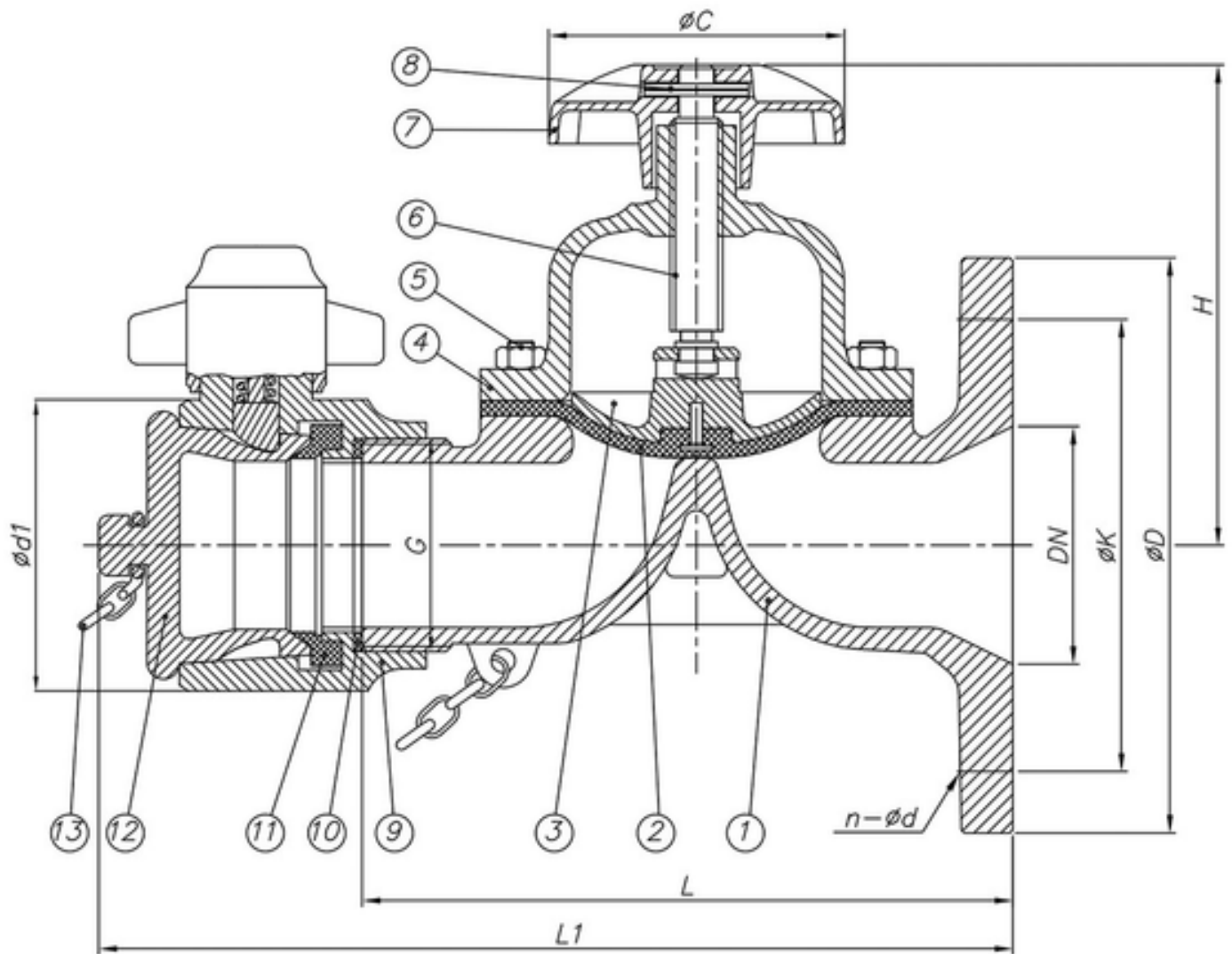


Install, operate and maintain in accordance with the manufacturer's manual supplied with the product.

FIRE HYDRANT

# Fire Hydrant Diaphragm Valve

SECTION Technical drawing 1 REF EFC-165



Install, operate and maintain in accordance with the manufacturer's manual supplied with the product.

FIRE HYDRANT

# Fire Hydrant Diaphragm Valve

SECTION Dimensions per size REF EFC-165

SIZE	L	L1H_CLOSEH_OPEN		G	D1	C	OD	OK	WEIGHT	
DN65	190	270	155	190	2-1/2" inch	85	120	178	139.7	12.6 kg
DN80	190	270	155	190	2-1/2" inch	85	120	190.5	152.4	13 kg

Dimensions in inches unless stated otherwise. Values are nominal; tolerances confirmed at quote.

FIRE HYDRANT

## Fire Valve Straight Type (Bolted Bonnet)

REF **EFC-166** ISSUED 09 Jul 2026

### SPECIFICATIONS

Size	<b>DN40 to DN65</b>
Pressure	<b>PN16</b>
End connection	<b>flanged (EN 1092-3/B)</b>
Face-to-face	<b>Manufacturer standard</b>
Media	<b>water, fire-fighting water</b>

### ACTUATION

- manual handwheel — GG25 or Bronze Rg5 handwheel

### STANDARDS

Design	<b>BS 5041, DIN 86211</b>
Test	<b>EN 12266</b>

### APPLICATIONS

- fire fighting
- fire hydrant systems



Install, operate and maintain in accordance with the manufacturer's manual supplied with the product.

**MATERIALS**

Body	<b>Bronze Rg5, CuSn10, GS-C25</b>	Disc	<b>Bronze Rg5, CuSn10, GS-C25</b>
Seat	<b>NBR, EPDM</b>	Stem	<b>Cu Zn39Pb3, SS 420, SS316</b>
Gasket	<b>NBR, EPDM, Klingerite</b>	Bonnet	<b>Bronze Rg5, CuSn10, GS-C25</b>
Packing	<b>Graphite, PTFE</b>	Gland	<b>Brass Ms58, SS420</b>
Gland nut	<b>Brass Ms58</b>	Handwheel	<b>GG 25, Bronze Rg5</b>
Bolt	<b>A2 (SS304)</b>	Fixed coupling	<b>Bronze Rg5, Aluminum</b>
Seal	<b>NBR, EPDM</b>	Blind coupling	<b>Bronze Rg5, Aluminum</b>
Chain rope	<b>SS</b>	Bolt nut	<b>A2 (SS304)</b>

**FEATURES**

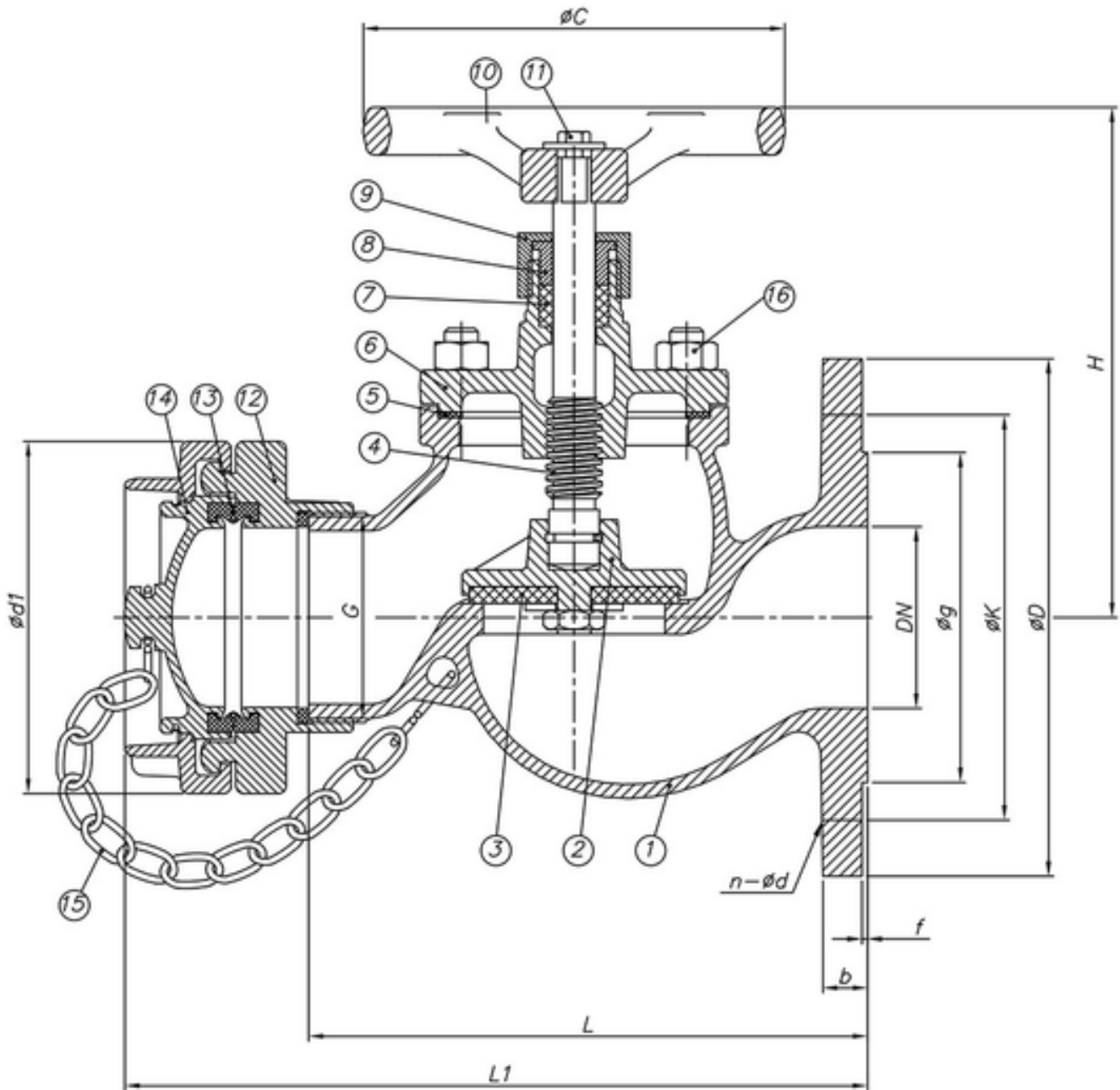
- Bolted bonnet construction
- Straight-type body configuration
- Compatible with Storz, BS 336, Nor, and Nakajima couplings
- Fixed coupling and blind coupling included
- Chain/rope retainer for coupling cap
- Flange options available in ASME, JIS, and VG standards in addition to EN 1092-3/B

Install, operate and maintain in accordance with the manufacturer's manual supplied with the product.

FIRE HYDRANT

# Fire Valve Straight Type (Bolted Bonnet)

SECTION Technical drawing 1 REF EFC-166



Install, operate and maintain in accordance with the manufacturer's manual supplied with the product.

FIRE HYDRANT

## Fire Valve Straight Type (Bolted Bonnet)

SECTION Dimensions per size REF EFC-166

SIZE	L	L1	H_CLOSE	H_OPEN	G	D1	C	OD	OK	OG	B	F	N_OD	WEIGHT
DN40	150	220	160	170	1-1/2" inch	98	140	150	110	84	14	2	4-18	6.8 kg
DN50	165	235	165	180	2" inch	98	140	165	125	99	16	2	4-18	8.2 kg
DN65	200	265	185	205	2-1/2" inch	126	150	185	145	118	16	2	4-18	12.2 kg

*Dimensions in inches unless stated otherwise. Values are nominal; tolerances confirmed at quote.*

Install, operate and maintain in accordance with the manufacturer's manual supplied with the product.

**EFC-166** · Specifications confirmed at quote

sales@euroflowcontrol.com · euroflowcontrol.com

FIRE HYDRANT

# Angle Type Fire Valve (Bolted Bonnet)

REF **EFC-167** ISSUED 09 Jul 2026

## SPECIFICATIONS

Size	<b>DN40 to DN65</b>
Pressure	<b>PN16</b>
End connection	<b>flanged (EN 1092-3/B) / flanged (ASME) / flanged (JIS) / flanged (VG)</b>
Face-to-face	<b>Manufacturer standard</b>

## ACTUATION

- manual handwheel — GG 25 or Bronze Rg5 handwheel

## STANDARDS

Design	<b>BS 5041, DIN 86211</b>
Test	<b>EN 12266</b>

## APPLICATIONS

- Fire fighting systems
- Fire hydrant installations



Install, operate and maintain in accordance with the manufacturer's manual supplied with the product.

**MATERIALS**

Body	<b>Bronze Rg5, CuSn10, GS-C25</b>	Disc	<b>Bronze Rg5, CuSn10, GS-C25</b>
Seat	<b>NBR, EPDM</b>	Stem	<b>Cu Zn39Pb3, SS 420, SS316</b>
Gasket	<b>NBR, EPDM, Klingerite</b>	Bonnet	<b>Bronze Rg5, CuSn10, GS-C25</b>
Packing	<b>Graphite, PTFE</b>	Gland	<b>Brass Ms58, SS420</b>
Gland nut	<b>Brass Ms58</b>	Handwheel	<b>GG 25, Bronze Rg5</b>
Bolt	<b>A2 (SS304)</b>	Fixed coupling	<b>Bronze Rg5, Aluminum</b>
Seal coupling	<b>NBR, EPDM</b>	Blind coupling	<b>Bronze Rg5, Aluminum</b>
Chain rope	<b>SS</b>	Bolt nut	<b>A2 (SS304)</b>

**FEATURES**

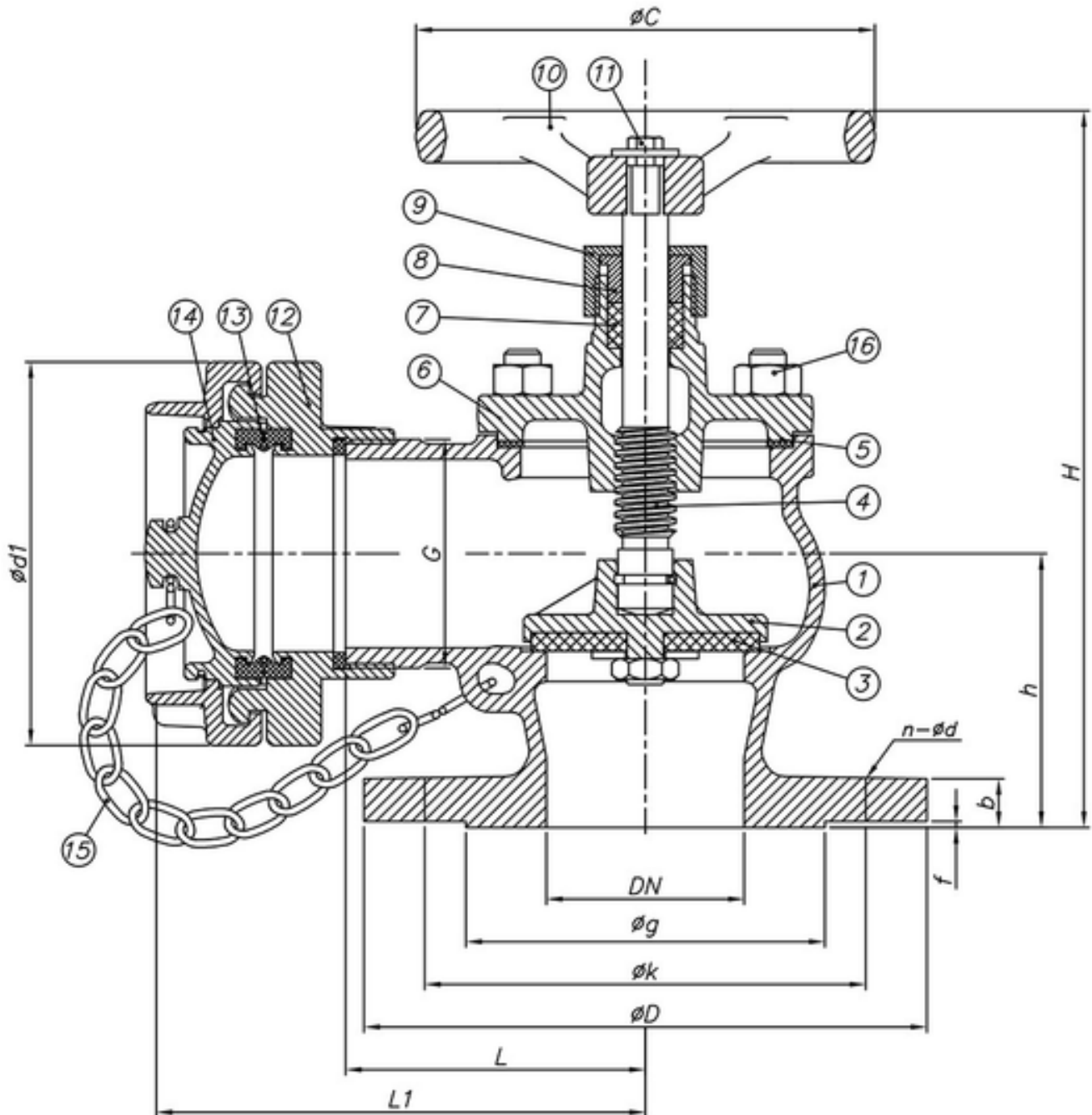
- Angle-type body configuration
- Bolted bonnet construction
- Multiple coupling options: Storz, BS 336, Nor, Nakajima
- Fixed coupling and blind coupling (dust cap) included
- Chain/rope retention for blind coupling
- Multiple flange standard options: EN 1092-3/B, ASME, JIS, VG

Install, operate and maintain in accordance with the manufacturer's manual supplied with the product.

FIRE HYDRANT

# Angle Type Fire Valve (Bolted Bonnet)

SECTION Technical drawing 1 REF EFC-167



Install, operate and maintain in accordance with the manufacturer's manual supplied with the product.

FIRE HYDRANT

## Angle Type Fire Valve (Bolted Bonnet)

SECTION Dimensions per size REF EFC-167

SIZE	L	L1	HH_CLOSEDHH_OPEN		G	D1	C	OD	OK	OG	B	F	N_OD	WEIGHT	
DN40	75	145	65	200	215	1-1/2" inch	98	140	150	110	84	14	2	4-18	6.4 kg
DN50	75	145	75	210	225	2" inch	98	140	165	125	99	16	2	4-18	7.7 kg
DN65	95	160	90	235	255	2-1/2" inch	126	150	185	145	118	16	2	4-18	11.3 kg

*Dimensions in inches unless stated otherwise. Values are nominal; tolerances confirmed at quote.*

Install, operate and maintain in accordance with the manufacturer's manual supplied with the product.

**EFC-167** · Specifications confirmed at quote

sales@euroflowcontrol.com · euroflowcontrol.com

FIRE HYDRANT

# Angle Type 30 Oblique Type Fire Valve (Bolted Bonnet)

REF **EFC-168** ISSUED 09 Jul 2026

## SPECIFICATIONS

Size	<b>DN40 to DN65</b>
Pressure	<b>PN16</b>
End connection	<b>flanged (EN 1092-3/B) / flanged (ASME) / flanged (JIS) / flanged (VG)</b>
Face-to-face	<b>Manufacturer standard</b>
Media	<b>water, firefighting water</b>

## ACTUATION

- manual handwheel — GG 25 or Bronze Rg5 handwheel

## STANDARDS

Design	<b>BS 5041, DIN 86211</b>
Test	<b>EN 12266</b>

## APPLICATIONS

- fire fighting
- fire hydrant systems



Install, operate and maintain in accordance with the manufacturer's manual supplied with the product.

**MATERIALS**

Body	<b>Bronze Rg5, CuSn10, GS-C25</b>	Disc	<b>Bronze Rg5, CuSn10, GS-C25</b>
Seat	<b>NBR, EPDM</b>	Stem	<b>Cu Zn39Pb3, SS 420, SS316</b>
Gasket	<b>NBR, EPDM, Klingerite</b>	Bonnet	<b>Bronze Rg5, CuSn10, GS-C25</b>
Packing	<b>Graphite, PTFE</b>	Gland	<b>Brass Ms58, SS420</b>
Gland nut	<b>Brass Ms58</b>	Handwheel	<b>GG 25, Bronze Rg5</b>
Bolt	<b>A2 (SS304)</b>	Fixed coupling	<b>Bronze Rg5, Aluminum</b>
Seal coupling	<b>NBR, EPDM</b>	Blind coupling	<b>Bronze Rg5, Aluminum</b>
Chain rope	<b>SS</b>	Bolt nut	<b>A2 (SS304)</b>

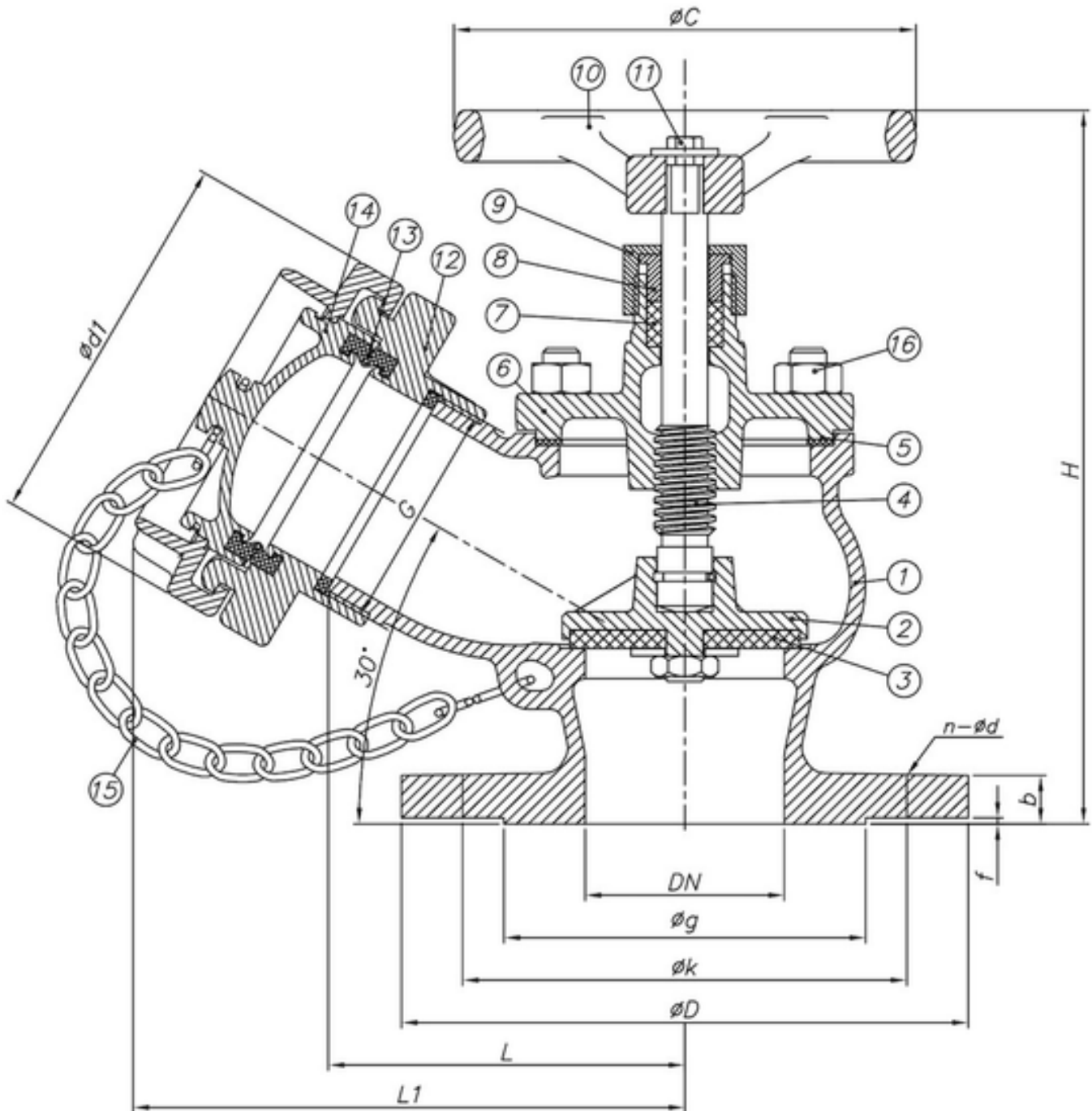
**FEATURES**

- 30° oblique body angle
- Bolted bonnet construction
- Coupling options: Storz, BS 336, Nor, Nakajima
- Chain/rope retainer for coupling cap
- Flange options available in ASME, JIS, VG in addition to EN 1092-3/B

FIRE HYDRANT

# Angle Type 30 Oblique Type Fire Valve (Bolted Bonnet)

SECTION Technical drawing 1 REF EFC-168



Install, operate and maintain in accordance with the manufacturer's manual supplied with the product.

FIRE HYDRANT

## Angle Type 30 Oblique Type Fire Valve (Bolted Bonnet)

SECTION Dimensions per size REF EFC-168

SIZE	L	L1	H_CLOSE	H_OPEN	G	D1	C	OD	OK	OG	B	F	N_OD	WEIGHT
DN40	150	220	160	170	1-1/2" inch	98	140	150	110	84	14	2	4-18	6.8 kg
DN50	165	235	165	180	2" inch	98	140	165	125	99	16	2	4-18	8.2 kg
DN65	200	265	185	205	2-1/2" inch	126	150	185	145	118	16	2	4-18	12.2 kg

*Dimensions in inches unless stated otherwise. Values are nominal; tolerances confirmed at quote.*

Install, operate and maintain in accordance with the manufacturer's manual supplied with the product.

**EFC-168** · Specifications confirmed at quote

sales@euroflowcontrol.com · euroflowcontrol.com

MARINE STRAINER

# Straight Type Mud Box

REF **EFC-192** ISSUED 09 Jul 2026

## SPECIFICATIONS

Size	<b>DN40 to DN600</b>
Pressure	<b>PN2.5 to PN4</b>
End connection	<b>flanged (DIN EN 1092) / flanged (DIN EN 1092) / flanged (ANSI) / flanged (JIS)</b>
Face-to-face	<b>DIN87 151-D Straight</b>
Media	<b>sea cooling water</b>

## STANDARDS

Design	<b>DIN87 151-D Straight, DIN EN 12266</b>
--------	---

## APPLICATIONS

- sea cooling water pipelines
- marine

## MATERIALS

Body	<b>GG25, GGG40, GGG40.3, GSC25, Bronze RG5, Bronze RG7, Bronze RG10, CuSn10, SS304, SS316, Duplex 1.4470</b>	Screen	<b>AISI 304L, AISI 316L, AISI 316Ti, CuNi10Fe</b>
Bonnet	<b>GG25, GGG40, GGG40.3, GSC25, Bronze RG5, Bronze RG7, Bronze RG10, CuSn10, SS304, SS316, Duplex 1.4470</b>	Ring screw	<b>Galvanized Steel</b>
Stud	<b>Steel, A2, A4</b>	Nut	<b>Steel, A2, A4</b>
Plug	<b>Bronze, AISI 304, AISI 316</b>	O ring	<b>Elastomer</b>

## FEATURES

- Straight-type body configuration
- Totally stainless steel or bronze screen discs available as option in 3" and larger sizes
- Available with ANSI and JIS flange options
- Multiple body material options including bronze, cast iron, cast steel, stainless steel and duplex stainless steel

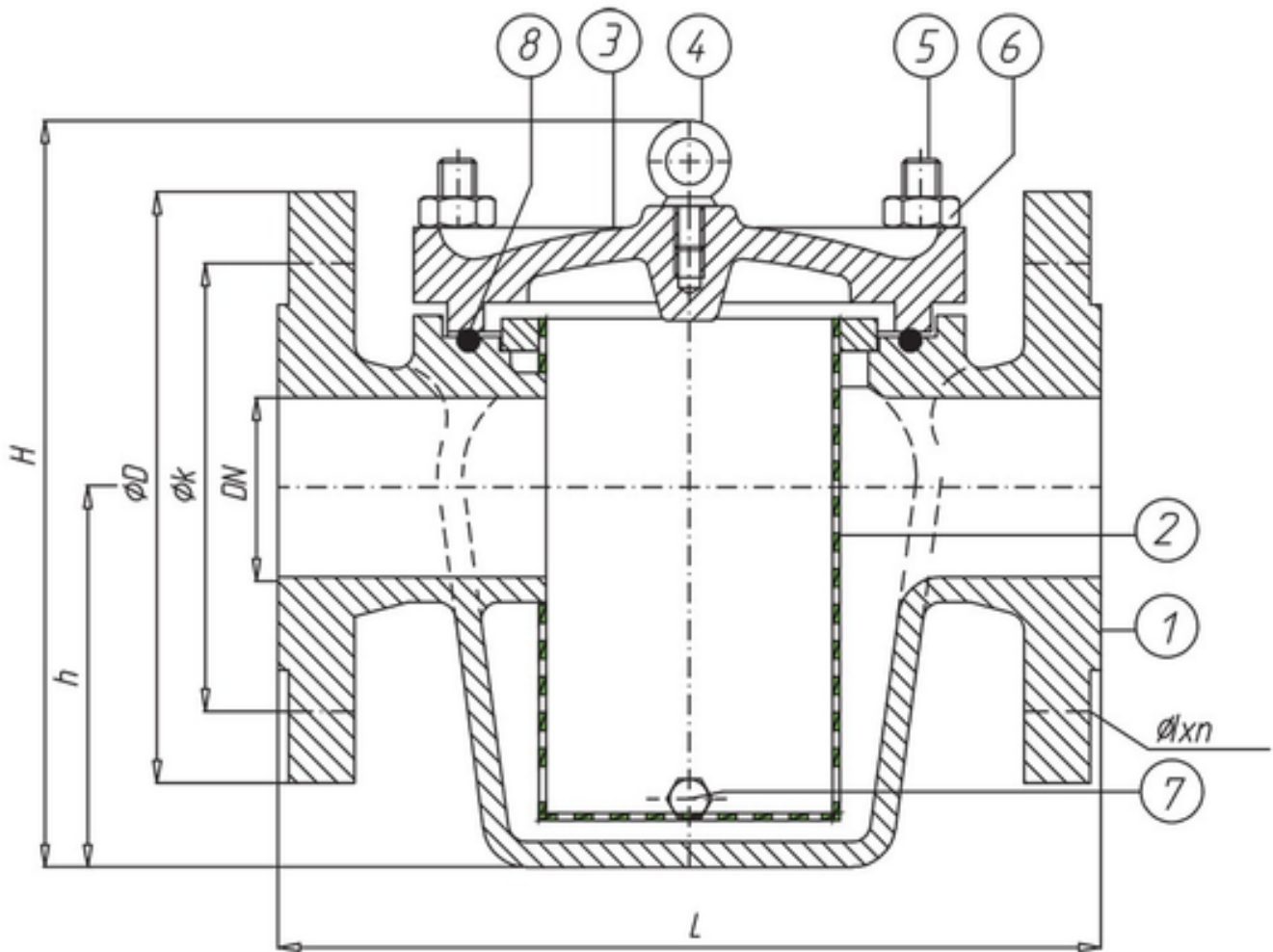


Install, operate and maintain in accordance with the manufacturer's manual supplied with the product.

MARINE STRAINER

# Straight Type Mud Box

SECTION Technical drawing 1 REF EFC-192



Install, operate and maintain in accordance with the manufacturer's manual supplied with the product.

MARINE STRAINER

# Straight Type Mud Box

SECTION Dimensions per size REF EFC-192

SIZE	D	K	BOLTS	L	H	H	KG	WEIGHT
DN40 (PN10)	150	110	4xØ18	200	205	95	—	14 kg
DN40 (PN16)	150	110	4xØ18	200	205	95	14 kg	14 kg
DN50 (PN10)	165	125	4xØ18	230	225	106	—	19 kg
DN50 (PN16)	165	125	4xØ18	230	225	106	19 kg	19 kg
DN65 (PN10)	185	145	4xØ18	290	260	134	—	26 kg
DN65 (PN16)	185	145	4xØ18	290	260	134	26 kg	26 kg
DN80 (PN10)	200	160	8xØ18	310	310	156	—	33 kg
DN80 (PN16)	200	160	8xØ18	310	310	156	33 kg	33 kg
DN100 (PN10)	220	180	8xØ18	350	345	185	—	45 kg
DN100 (PN16)	220	180	8xØ18	350	345	185	45 kg	45 kg
DN125 (PN10)	250	210	8xØ18	400	395	225	—	60 kg
DN125 (PN16)	250	210	8xØ18	400	395	225	60 kg	60 kg
DN150 (PN10)	285	240	8xØ18	480	465	265	—	86 kg
DN150 (PN16)	285	240	8xØ18	480	465	265	86 kg	86 kg
DN200 (PN10)	340	295	8xØ22	600	565	335	—	147 kg
DN200 (PN16)	340	295	8xØ22	600	565	335	150 kg	147 kg
DN250 (PN10)	395	350	12xØ22	600	610	345	—	180 kg
DN250 (PN16)	405	355	12xØ22	600	610	345	185 kg	180 kg
DN300 (PN10)	445	400	12xØ22	700	675	390	—	245 kg
DN300 (PN16)	460	410	12xØ26	700	675	390	250 kg	245 kg
DN350 (PN10)	505	460	16xØ22	800	790	425	—	325 kg
DN350 (PN16)	520	470	16xØ26	800	790	425	330 kg	325 kg

Install, operate and maintain in accordance with the manufacturer's manual supplied with the product.

## Straight Type Mud Box

Dimensions per size (continued) · EFC-192

SIZE	D	K	BOLTS	L	H	H	KG	WEIGHT
<b>DN400 (PN10)</b>	565	515	16xØ26	740	900	470	—	415 kg
<b>DN400 (PN16)</b>	580	525	16xØ30	740	900	470	420 kg	415 kg
<b>DN500 (PN10)</b>	670	620	20xØ26	1000	1100	525	—	550 kg
<b>DN500 (PN16)</b>	715	650	20xØ33	1000	1100	525	560 kg	550 kg
<b>DN600 (PN10)</b>	780	725	20xØ30	1100	1100	670	—	815 kg
<b>DN600 (PN16)</b>	840	770	20xØ36	1100	1100	670	825 kg	815 kg

*Dimensions in millimetres unless stated otherwise. Values are nominal; tolerances confirmed at quote.*

MARINE STRAINER

# Angle Type Mud Box With Quick Release Bonnet

REF **EFC-195** ISSUED 09 Jul 2026

## SPECIFICATIONS

Size	<b>DN40 to DN400</b>
Pressure	<b>PN4</b>
End connection	<b>flanged (DIN EN 1092)</b>
Face-to-face	<b>DIN 87 151-E Angle, DIN 87 151-D Straight</b>
Media	<b>sea cooling water, seawater</b>

## STANDARDS

Test	<b>DIN EN 12266</b>
------	---------------------

## APPLICATIONS

- sea cooling water pipelines
- marine pipelines

## MATERIALS

Body	<b>GG25, GGG40, GGG40.3, GSC25, Bronze RG5, Bronze RG7, Bronze RG10, CuSn10, SS304, SS316, Duplex 1.4470</b>	Screen	<b>AISI 304L, AISI 316L, AISI 316Ti, CuNi10Fe</b>
Bonnet	<b>GG25, GGG40, GGG40.3, GSC25, Bronze RG5, Bronze RG7, Bronze RG10, CuSn10, SS304, SS316, Duplex 1.4470</b>	Ring screw	<b>Galvanized Steel</b>
Ring stud	<b>Steel A2, Steel A4</b>	Nut	<b>Steel A2, Steel A4</b>
Plug	<b>Bronze, AISI 304, AISI 316</b>	O ring	<b>EPDM, NBR</b>

## FEATURES

- Quick-release bonnet for ease of screen maintenance
- Available in straight form and angle form configurations
- Removable screen element
- O-ring/gasket bonnet seal
- Wide range of body and screen material options to suit corrosive marine environments

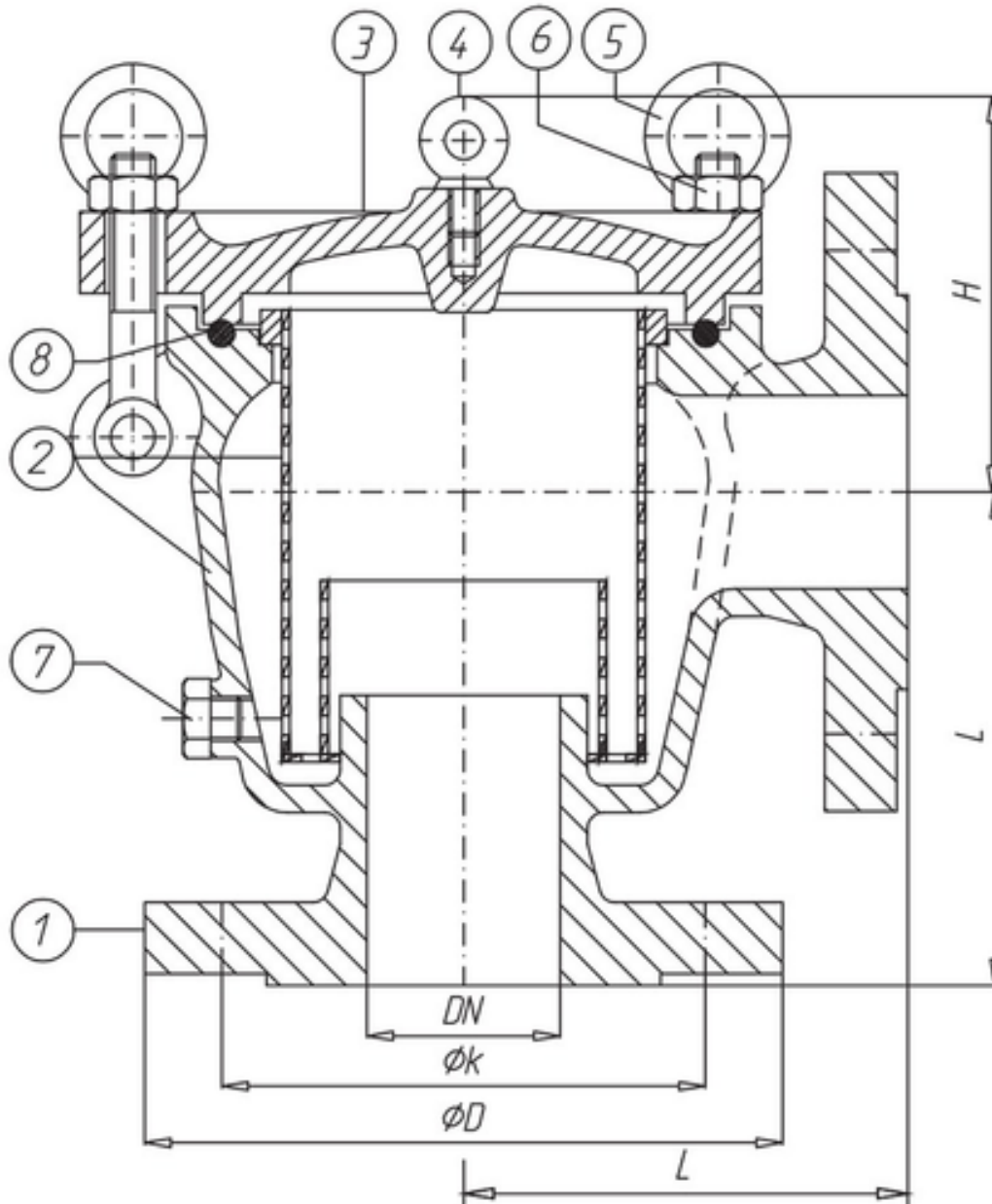


Install, operate and maintain in accordance with the manufacturer's manual supplied with the product.

MARINE STRAINER

# Angle Type Mud Box With Quick Release Bonnet

SECTION Technical drawing 1 REF EFC-195



Install, operate and maintain in accordance with the manufacturer's manual supplied with the product.

MARINE STRAINER

## Angle Type Mud Box With Quick Release Bonnet

SECTION Dimensions per size REF EFC-195

SIZE	ØD	ØK	L	H	WEIGHT
DN40	150	110	125	240	15 kg
DN50	165	125	135	260	21 kg
DN65	185	125	150	280	25 kg
DN80	200	160	175	330	36 kg
DN100	220	180	195	350	51 kg
DN125	250	210	220	415	69 kg
DN150	285	240	270	470	94 kg
DN175	315	270	300	505	120 kg
DN200	340	295	300	540	138 kg
DN250	395	350	390	660	200 kg
DN300	445	400	450	760	278 kg
DN350	505	460	400	730	330 kg
DN400	565	515	420/520	980	458 kg

Dimensions in millimetres unless stated otherwise. Values are nominal; tolerances confirmed at quote.

Install, operate and maintain in accordance with the manufacturer's manual supplied with the product.

MARINE STRAINER

# Aluminum Straight Type Mud Box

REF **EFC-196** ISSUED 09 Jul 2026

## SPECIFICATIONS

Size	<b>DN40 to DN600</b>
Pressure	<b>PN4</b>
End connection	<b>flanged (EN 1092)</b>
Media	<b>sea cooling water, bilge water</b>

## STANDARDS

Design	<b>DIN 87152-1</b>
Test	<b>EN 12266</b>

## APPLICATIONS

- sea cooling water systems
- bilge systems

## MATERIALS

Body	<b>Aluminum Alloy</b>	Bonnet	<b>Aluminum Alloy</b>
Screen	<b>AISI 304, AISI 316</b>	Ring screw	<b>St, SS</b>
Stud	<b>St, SS</b>	Nut	<b>St, SS</b>
O ring	<b>NBR</b>	Plug	<b>St, SS, Brass</b>

## FEATURES

- Straight-type flow path
- Aluminium alloy body and bonnet construction
- Stainless steel screen (AISI 304 or AISI 316)
- NBR O-ring seal
- Drain plug at base
- Flanged ends to EN 1092

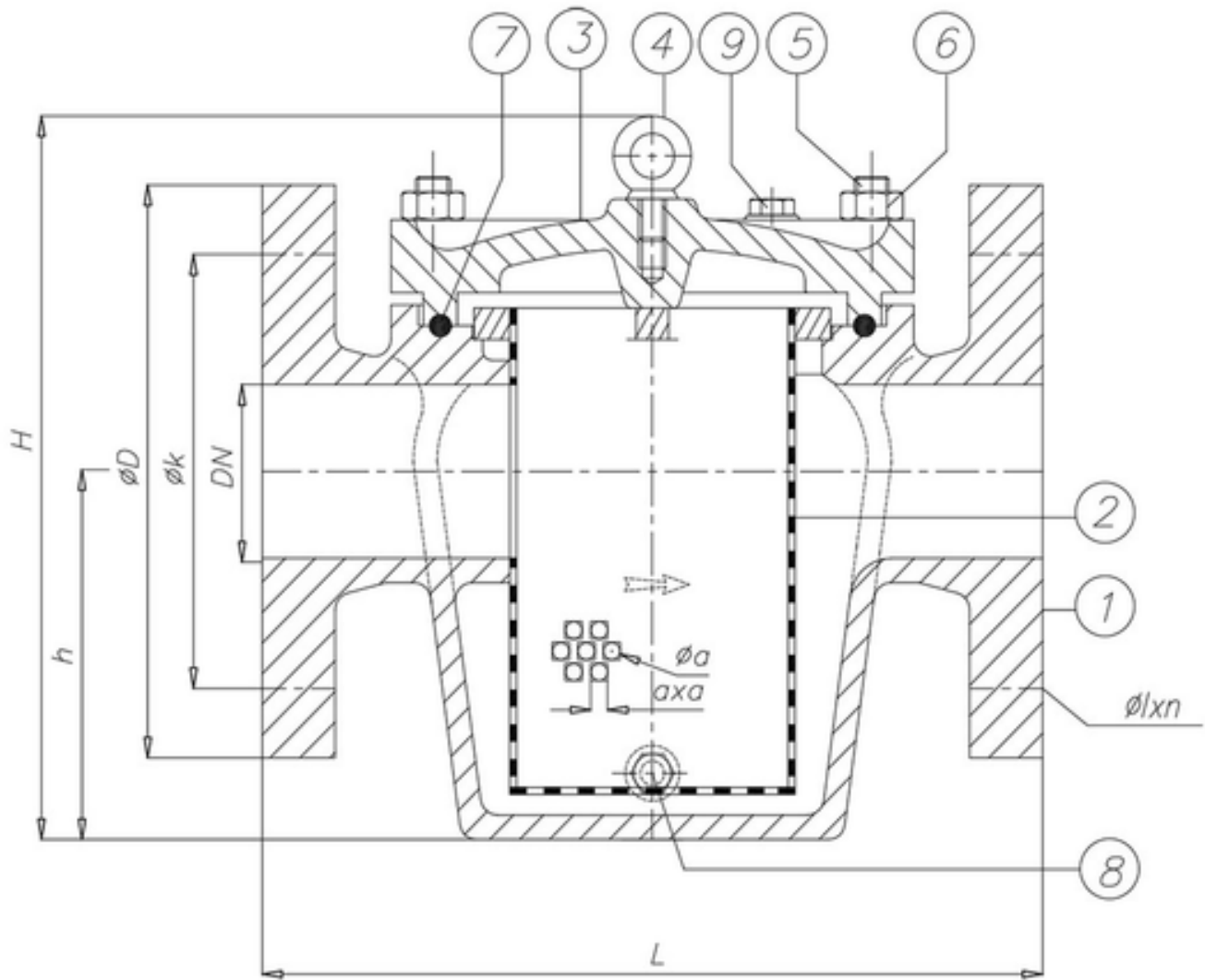


Install, operate and maintain in accordance with the manufacturer's manual supplied with the product.

MARINE STRAINER

# Aluminum Straight Type Mud Box

SECTION Technical drawing 1 REF EFC-196



Install, operate and maintain in accordance with the manufacturer's manual supplied with the product.

MARINE STRAINER

# Aluminum Straight Type Mud Box

SECTION Dimensions per size REF EFC-196

SIZE	L	H	H	PN10 D	PN10 K	PN10 BOLTS	PN16 D	PN16 K	PN16 BOLTS
DN40	200	205	95	150	110	4xØ18	150	110	4xØ18
DN50	230	225	106	165	125	4xØ18	165	125	4xØ18
DN65	290	260	134	185	145	4xØ18	185	145	4xØ18
DN80	310	310	156	200	160	8xØ18	200	160	8xØ18
DN100	350	345	185	220	180	8xØ18	220	180	8xØ18
DN125	400	395	225	250	210	8xØ18	250	210	8xØ18
DN150	480	465	265	285	240	8xØ22	285	240	8xØ22
DN200	600	565	335	340	295	8xØ22	340	295	8xØ22
DN250	600	620	355	400	350	12xØ22	405	355	12xØ22
DN300	700	700	405	455	400	12xØ22	460	410	12xØ26
DN350	800	790	425	505	460	16xØ22	520	470	16xØ26
DN400	740	1030	470	565	515	16xØ26	580	525	16xØ30
DN500	1000	1235	615	670	620	20xØ26	715	650	20xØ33
DN600	1100	1220	650	780	725	20xØ30	840	770	20xØ36

Dimensions in millimetres unless stated otherwise. Values are nominal; tolerances confirmed at quote.

Install, operate and maintain in accordance with the manufacturer's manual supplied with the product.

MARINE STRAINER

# Aluminum Angle Type Mud Box

REF **EFC-197** ISSUED 09 Jul 2026

## SPECIFICATIONS

Size	<b>DN40 to DN600</b>
Pressure	<b>PN4</b>
End connection	<b>flanged (EN 1092) / flanged (EN 1092)</b>
Media	<b>sea cooling water, bilge water</b>

## STANDARDS

Design	<b>DIN 87152-2</b>
Test	<b>EN 12266</b>

## APPLICATIONS

- sea cooling water systems
- bilge systems
- marine

## MATERIALS

Body	<b>Aluminum Alloy</b>	Bonnet	<b>Aluminum Alloy</b>
Screen	<b>AISI 304, AISI 316</b>	Ring screw	<b>St, SS</b>
Stud	<b>St, SS</b>	Nut	<b>St, SS</b>
O ring	<b>NBR</b>	Plug	<b>St, SS, Brass</b>

## FEATURES

- Angle-type body configuration
- Aluminium alloy body and bonnet construction
- Stainless steel screen options (AISI 304 or AISI 316)
- Flanged ends to EN 1092 (PN10 and PN16 bolt patterns)
- NBR O-ring seal
- Drain plug provided (St / SS / Brass options)

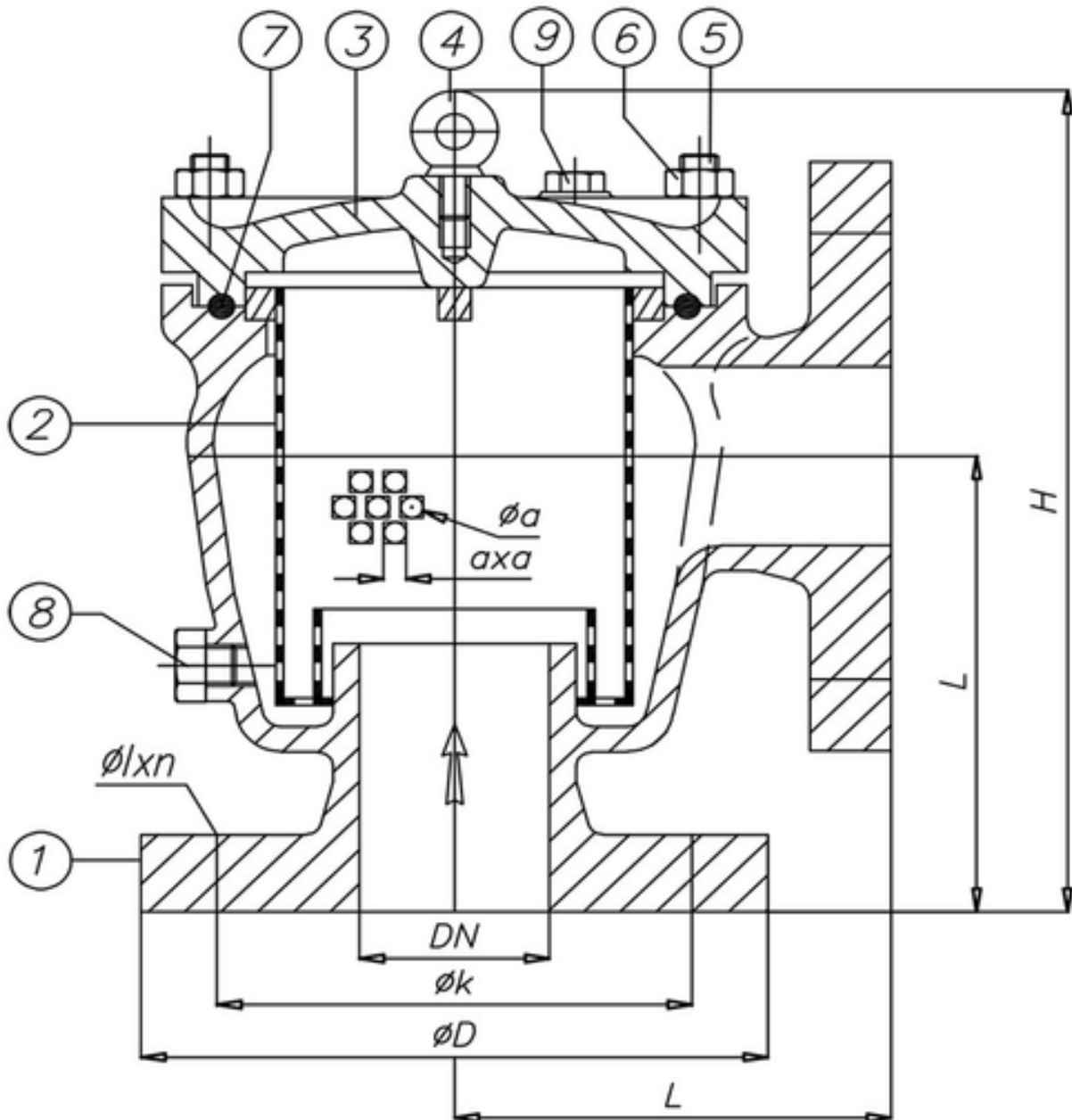


Install, operate and maintain in accordance with the manufacturer's manual supplied with the product.

MARINE STRAINER

# Aluminum Angle Type Mud Box

SECTION Technical drawing 1 REF EFC-197



Install, operate and maintain in accordance with the manufacturer's manual supplied with the product.

MARINE STRAINER

# Aluminum Angle Type Mud Box

SECTION Dimensions per size REF EFC-197

SIZE	L	H	D_PN10	K_PN10	D_PN16	K_PN16
DN40	125	240	150	110	150	110
DN50	135	260	165	125	165	125
DN65	150	280	185	145	185	145
DN80	175	330	200	160	200	160
DN100	195	350	220	180	220	180
DN125	220	415	250	210	250	210
DN150	270	470	285	240	285	240
DN200	300	540	340	295	340	295
DN250	390	660	400	350	405	355
DN300	450	760	455	400	460	410
DN350	400	730	505	460	520	470

Dimensions in millimetres unless stated otherwise. Values are nominal; tolerances confirmed at quote.

Install, operate and maintain in accordance with the manufacturer's manual supplied with the product.

OTHER

# Bronze Pressure Reducing Valve

REF **EFC-178** ISSUED 09 Jul 2026

## SPECIFICATIONS

Size	<b>DN15 to DN100</b>
Pressure	<b>20 bar</b>
End connection	<b>threaded (BSPT)</b>
Temperature	<b>0°C to 170°C</b>
Media	<b>water, gas</b>

## APPLICATIONS

- water
- gas



## MATERIALS

Body	<b>Bronze Rg5</b>	Mesh	<b>SS 304</b>
O ring	<b>NBR</b>	Core	<b>CuZn40Pb2</b>
Bonnet	<b>Bronze Rg5</b>	Spring	<b>Silicon Manganese Steel</b>
Stem gasket	<b>CuZn39Pb2</b>	Cap	<b>CuZn39Pb2</b>
Disc	<b>CuZn39Pb2</b>	Gasket	<b>NBR</b>
Stem	<b>CuZn39Pb2</b>	Connection plug	<b>CuZn39Pb2</b>
Diaphragm	<b>NBR+Polytene</b>		

## FEATURES

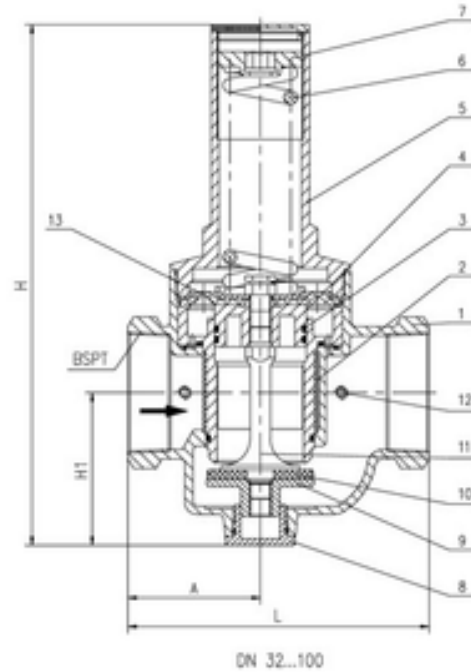
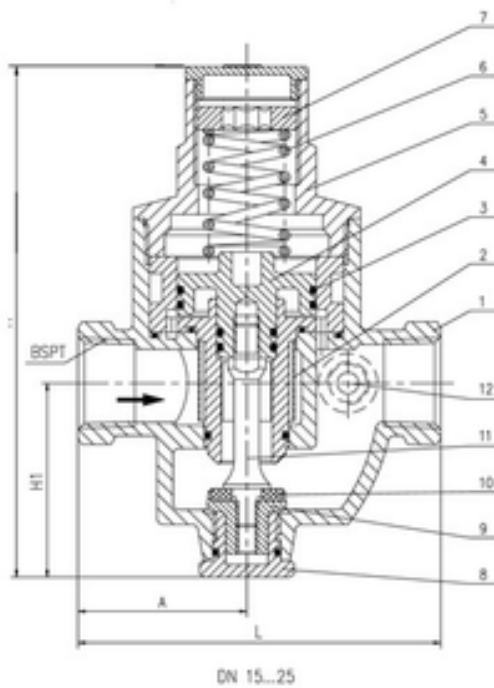
- Diaphragm-type pressure reducing mechanism
- Adjustable outlet pressure
- Outlet pressure range DN15 - DN25: 1-4 bar
- Outlet pressure range DN32 - DN100: 1-5 bar
- Two construction variants: DN15-25 and DN32-100 with differing internal geometry
- Integral mesh strainer element

Install, operate and maintain in accordance with the manufacturer's manual supplied with the product.

OTHER

# Bronze Pressure Reducing Valve

SECTION Technical drawing 1 REF EFC-178



Install, operate and maintain in accordance with the manufacturer's manual supplied with the product.

**EFC-178** · Specifications confirmed at quote

sales@euroflowcontrol.com · euroflowcontrol.com

OTHER

# Bronze Pressure Reducing Valve

SECTION Dimensions per size REF EFC-178

SIZE	L	A	H	H1	L1
DN15	89	41.5	121	46	—
DN20	92	43	121	46	—
DN25	98	46	121	46	—
DN32	126	55	192	62	—
DN40	126	55.5	192	62	—
DN50	168	—	272	85	72
DN65	174	—	272	85	75.5
DN80	225	—	385	113	98.5
DN100	230	—	385	113	104.5

Dimensions in millimetres unless stated otherwise. Values are nominal; tolerances confirmed at quote.

Install, operate and maintain in accordance with the manufacturer's manual supplied with the product.

OTHER

# Sounding Cocks Valve 90 Stop Turning Lever

REF **EFC-180** ISSUED **09 Jul 2026**

## SPECIFICATIONS

Size	<b>DN32 to DN65</b>
Pressure	<b>PN 2.5</b>
End connection	<b>threaded (DIN 259 / ISO R 228)</b>
Media	<b>sounding / tank gauging applications</b>

## ACTUATION

- manual lever — 90° stop turning lever, GG-25 handle lever

## STANDARDS

Design	<b>DIN 86 120</b>
--------	-------------------



## MATERIALS

Body	<b>G-CuSn 5 Zn Pb</b>	Cock	<b>G-CuSn 5 Zn Pb</b>
Bonnet	<b>G-CuSn 5 Zn Pb</b>	O ring	<b>NBR</b>
Gasket	<b>NBR</b>	Dust cap	<b>G-CuSn 5 Zn Pb</b>
Handlelever	<b>GG-25</b>	Nut	<b>8,8</b>
Test valve	<b>CuSn 39 Pb 2 F37</b>		

## FEATURES

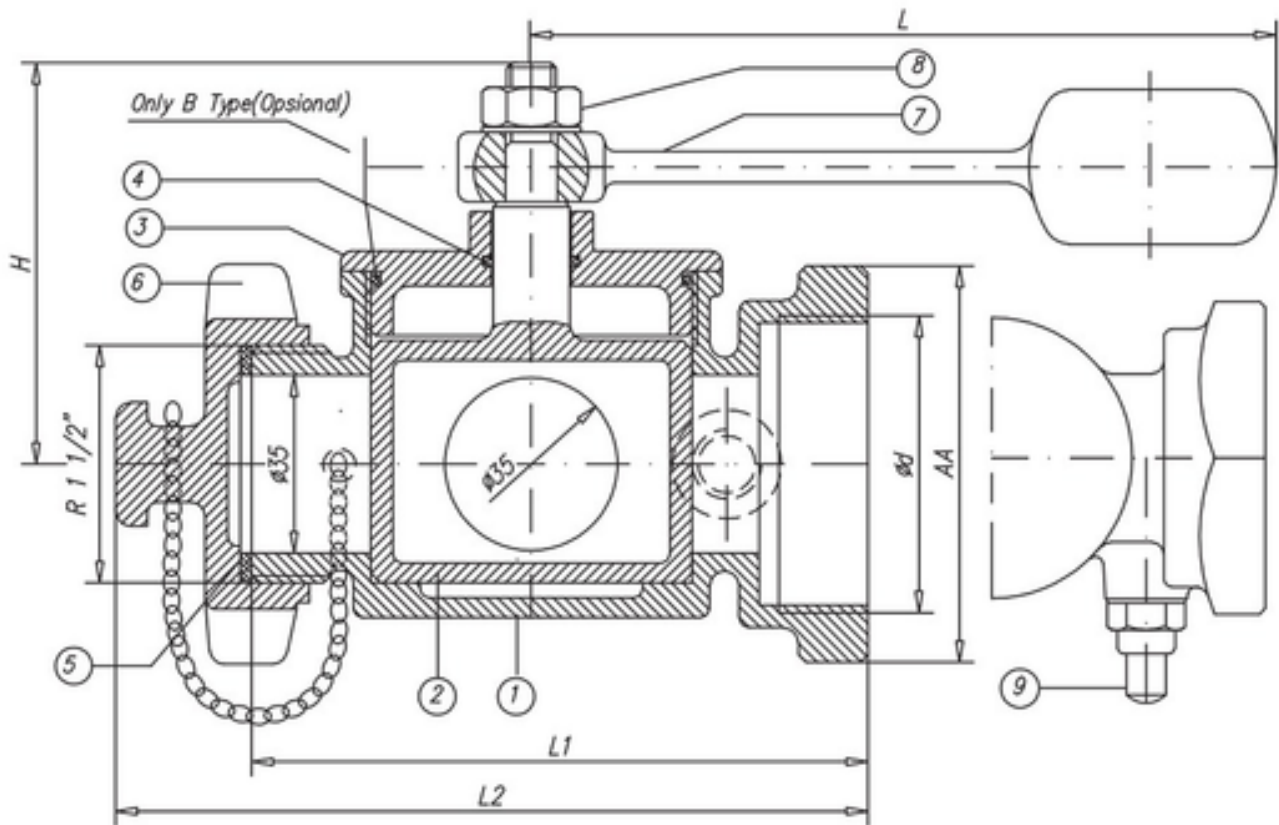
- Full bore design
- 90° stop turning lever operation
- Threaded end connections
- Integrated test valve (item 9)
- Dust cap included
- Optional Type B configuration available

Install, operate and maintain in accordance with the manufacturer's manual supplied with the product.

OTHER

# Sounding Cocks Valve 90 Stop Turning Lever

SECTION Technical drawing 1 REF EFC-180



Install, operate and maintain in accordance with the manufacturer's manual supplied with the product.

OTHER

## Sounding Cocks Valve 90 Stop Turning Lever

SECTION Dimensions per size REF EFC-180

SIZE	L1	L2	H	OD	AA	L	WEIGHT
DN32	120	135	85	1 1/4" inch	55	190	3.5 kg
DN40	125	140	85	1 1/2" inch	55	190	4 kg
DN50	125	140	85	2" inch	70	190	4.5 kg
DN65	130	145	85	2 1/2" inch	85	190	5 kg

Dimensions in inches unless stated otherwise. Values are nominal; tolerances confirmed at quote.

OTHER

# Sounding Cocks PN 4 360 Turning Lever

REF **EFC-181** ISSUED **09 Jul 2026**

## SPECIFICATIONS

Size	<b>DN32 to DN65</b>
Pressure	<b>PN 2.5</b>
End connection	<b>threaded (DIN 259 / ISO R 228)</b>

## ACTUATION

- manual lever — 360° rotating lever, GG-25 grey cast iron

## STANDARDS

Design	<b>DIN 86 120</b>
--------	-------------------



## MATERIALS

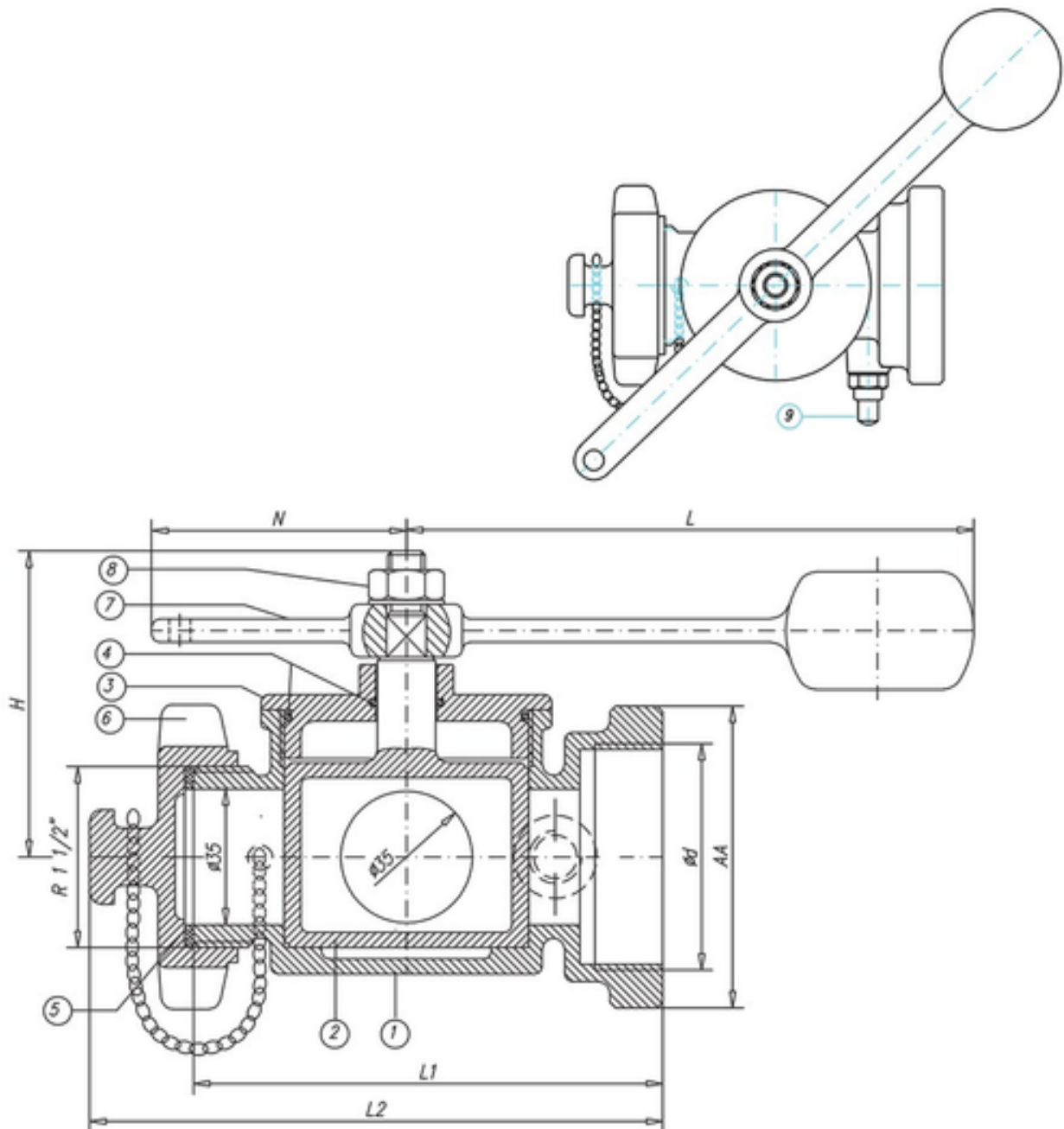
Body	<b>CC491K(Rg-5 Bronze)</b>	Cock	<b>CC491K(Rg-5 Bronze)</b>
Bonnet	<b>CC491K(Rg-5 Bronze)</b>	O ring	<b>NBR</b>
Gasket	<b>NBR</b>	Dust and cap	<b>CC491K(Rg-5 Bronze)</b>
Handlever	<b>GG-25</b>	Nut	<b>8.8</b>
Test valve	<b>CW453K(CuSn8)</b>		

Install, operate and maintain in accordance with the manufacturer's manual supplied with the product.

OTHER

# Sounding Cocks PN 4 360 Turning Lever

SECTION Technical drawing 1 REF EFC-181



Install, operate and maintain in accordance with the manufacturer's manual supplied with the product.

OTHER

# Sounding Cocks PN 4 360 Turning Lever

SECTION Dimensions per size REF EFC-181

SIZE	L1	L2	H	AA	L	N	OD	WEIGHT
DN32	120	135	85	55	180	95	null inch	3.5 kg
DN40	125	140	85	55	180	95	null inch	4 kg
DN50	125	140	85	70	180	95	null inch	4.5 kg
DN65	130	145	85	85	180	95	null inch	5 kg

Dimensions in inches unless stated otherwise. Values are nominal; tolerances confirmed at quote.

GLOBE VALVE

# Bronze SDSL Globe Valve - BSPT

REF **EFC-71** ISSUED **09 Jul 2026**

## SPECIFICATIONS

Size	<b>DN15 to DN50</b>
Pressure	<b>16 bar</b>
End connection	<b>threaded (BSPT)</b>
Temperature	<b>null°C to 170°C</b>
Media	<b>water, oil, gas</b>

## ACTUATION

- manual handwheel

## APPLICATIONS

- water
- oil and gas

## MATERIALS

Body	<b>Bronze Rg5</b>	Bonnet	<b>Bronze Rg5</b>
Disc	<b>Bronze Rg5</b>	Stem	<b>Brass</b>
Packing	<b>PTFE</b>	Handwheel	<b>Aluminum</b>
Nut	<b>Brass</b>	Nameplate	<b>Aluminum</b>

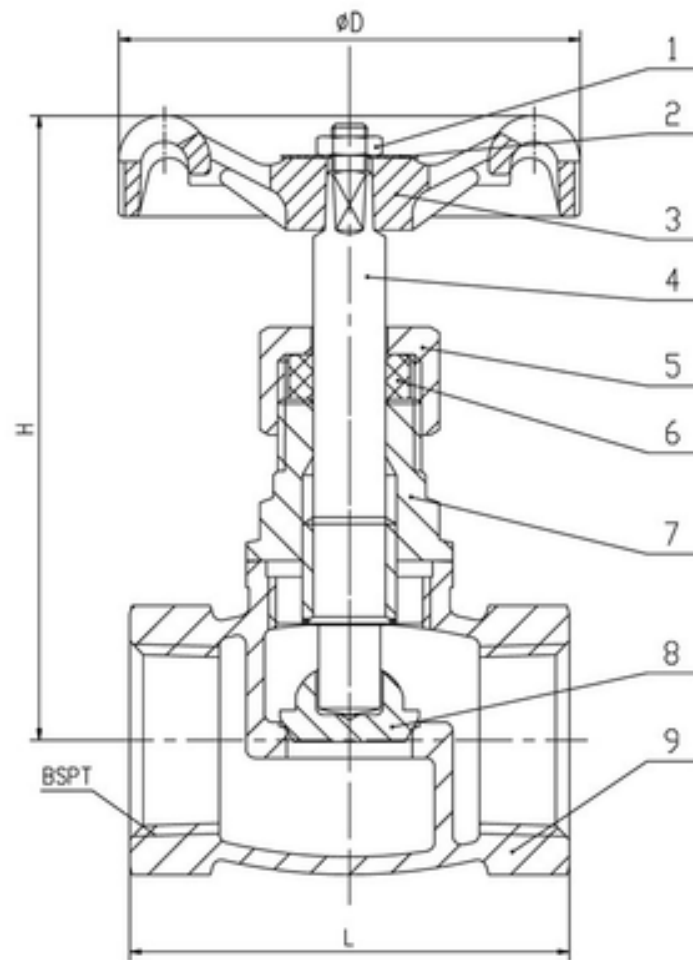


Install, operate and maintain in accordance with the manufacturer's manual supplied with the product.

GLOBE VALVE

# Bronze SDSL Globe Valve - BSPT

SECTION Technical drawing 1 REF EFC-71



Install, operate and maintain in accordance with the manufacturer's manual supplied with the product.

GLOBE VALVE

# Bronze SDSL Globe Valve - BSPT

SECTION Dimensions per size REF EFC-71

SIZE	L	OD	H
DN15	49	52	71
DN20	56	60	73
DN25	66	65	87
DN32	74	70	95
DN40	85	78	110
DN50	100	92	124

*Dimensions in millimetres unless stated otherwise. Values are nominal; tolerances confirmed at quote.*

GLOBE VALVE

# Bronze SDNR Globe Valve - BSPT

REF **EFC-72** ISSUED 09 Jul 2026

## SPECIFICATIONS

Size	<b>DN15 to DN50</b>
Pressure	<b>16 Bar</b>
End connection	<b>threaded (BSPT)</b>
Temperature	<b>null°C to 170°C</b>
Media	<b>water, oil, gas</b>

## ACTUATION

- manual handwheel

## APPLICATIONS

- water
- oil
- gas

## MATERIALS

Body	<b>Bronze Rg5</b>	Bonnet	<b>Bronze Rg5</b>
Disc	<b>Bronze Rg5</b>	Stem	<b>Brass</b>
Packing	<b>PTFE</b>	Handwheel	<b>Aluminum</b>
Nut 1	<b>Brass</b>	Nut 5	<b>Brass</b>
Nameplate	<b>Aluminum</b>		

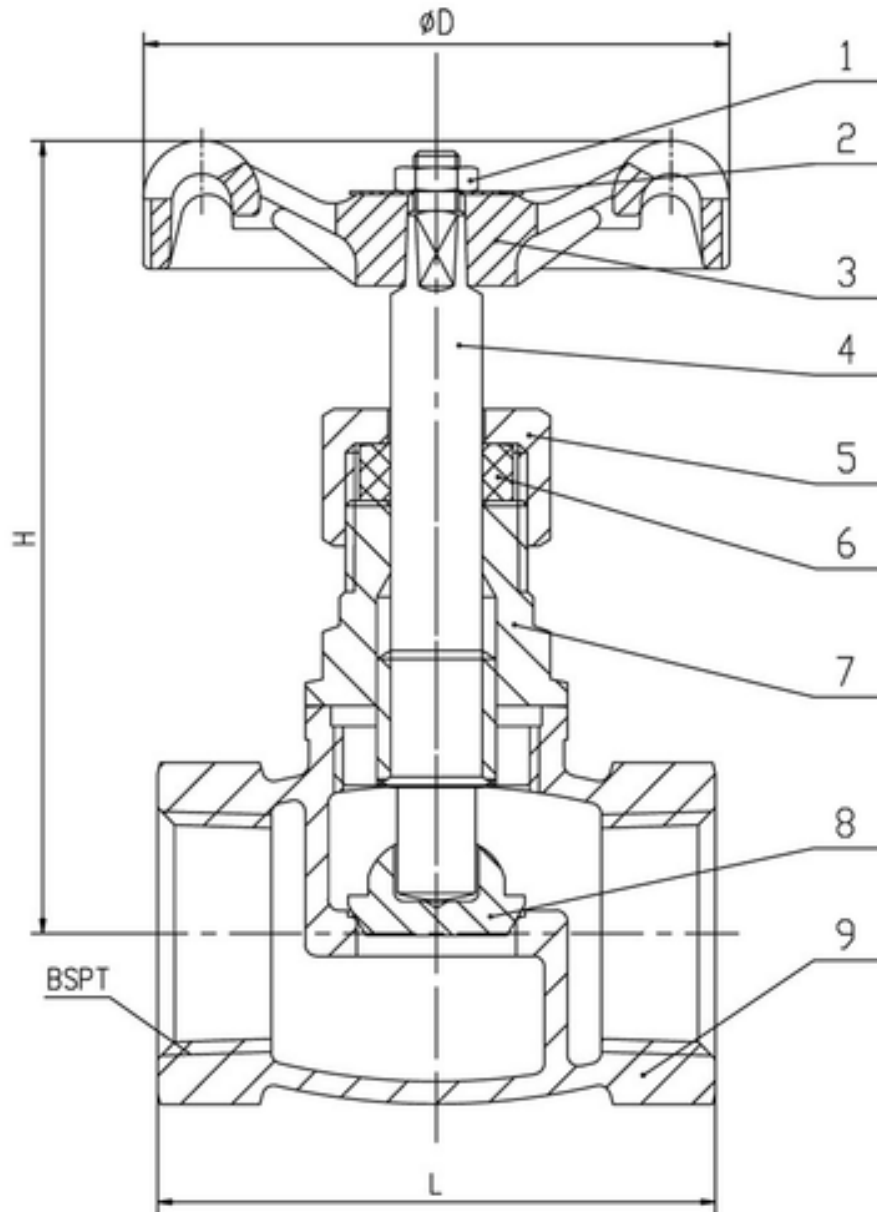


Install, operate and maintain in accordance with the manufacturer's manual supplied with the product.

GLOBE VALVE

# Bronze SDNR Globe Valve - BSPT

SECTION Technical drawing 1 REF EFC-72



Install, operate and maintain in accordance with the manufacturer's manual supplied with the product.

GLOBE VALVE

# Bronze SDNR Globe Valve - BSPT

SECTION Dimensions per size REF EFC-72

SIZE	L	D	H
DN15	49	52	71
DN20	56	60	73
DN25	66	65	87
DN32	74	70	95
DN40	85	78	110
DN50	100	92	124

*Dimensions in millimetres unless stated otherwise. Values are nominal; tolerances confirmed at quote.*

STORM VALVE

# Str. Form Storm Valve

REF **EFC-151** ISSUED **09 Jul 2026**

## SPECIFICATIONS

Size	<b>DN50 to DN250</b>
Pressure	<b>PN10</b>
End connection	<b>flanged (DN EN 1092)</b>
Face-to-face	<b>DIN 87101 B</b>
Media	<b>water, stormwater</b>

## ACTUATION

- manual handwheel with spindle — with spindle (Kumanda Mili)

## STANDARDS

Design	<b>DIN 87101 B</b>
Test	<b>DIN EN 12266</b>

## APPLICATIONS

- storm water systems
- marine



Install, operate and maintain in accordance with the manufacturer's manual supplied with the product.

**MATERIALS**

Body	<b>GGG40, GGG40.3, GSC25, Bronze RG5, Bronze RG7, RG10, CuSn10, SS304, SS316, Duplex 1.4470</b>	Bonnet	<b>GGG40, GGG40.3, GSC25, Bronze RG5, Bronze RG7, RG10, CuSn10, SS304, SS316, Duplex 1.4470</b>
Disc	<b>Bronze RG5, Bronze RG7, RG10, CuSn10, SS304, SS316, Duplex 1.4470</b>	Gasket	<b>NBR, Special Rubber</b>
Pin	<b>Brass, CuSn10</b>	Nut	<b>Steel, A2, A4</b>
Stem	<b>Steel, A2, A4</b>	Plug	<b>Brass</b>

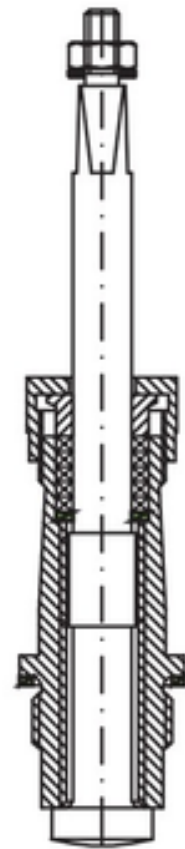
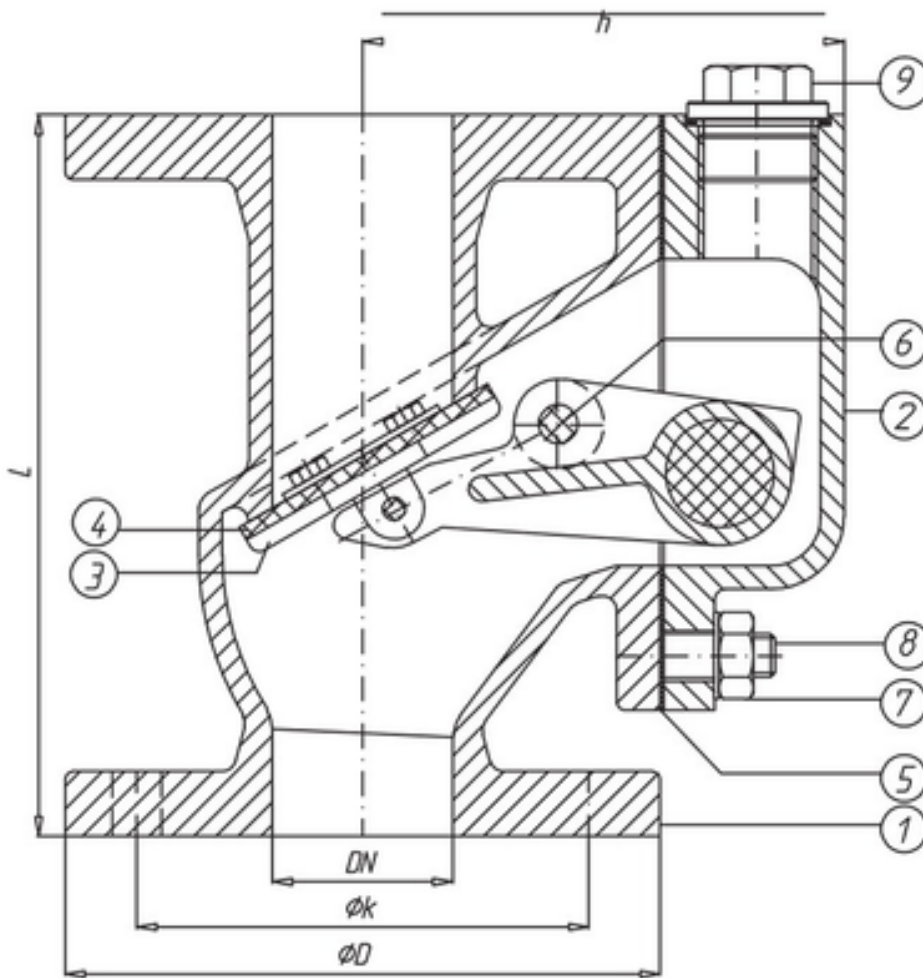
**FEATURES**

- Straight-form (düz tip) body configuration
- Flap (disc) design for storm valve application
- Optional ANSI and JIS flange ends available
- Optional position indicator available
- Multiple body material options including ductile iron, bronze, stainless steel, and duplex stainless steel

STORM VALVE

# Str. Form Storm Valve

SECTION Technical drawing 1 REF EFC-151



*KUMANDA MILI  
With Spindle*

Install, operate and maintain in accordance with the manufacturer's manual supplied with the product.

STORM VALVE

# Str. Form Storm Valve

SECTION Dimensions per size REF EFC-151

SIZE	OD	OK	H	L	WEIGHT
DN50	165	125	137	200	16 kg
DN65	185	145	148	240	20 kg
DN80	200	160	174	260	26 kg
DN100	220	180	195	300	33 kg
DN125	250	210	216	350	47 kg
DN150	285	240	242	400	63 kg
DN200	340	295	315	500	100 kg
DN250	395	350	405	650	180 kg

Dimensions in millimetres unless stated otherwise. Values are nominal; tolerances confirmed at quote.

STORM VALVE

# Angle Form Storm Valve

REF **EFC-152** ISSUED 09 Jul 2026

## SPECIFICATIONS

Size	<b>DN50 to DN350</b>
Pressure	<b>PN10</b>
End connection	<b>flanged (DIN-HNA PN4) / flanged (DN 2532)</b>
Face-to-face	<b>DIN-HNA PN4, DN 2532</b>
Media	<b>water, stormwater</b>

## ACTUATION

- manual spindle — With Spindle (Kumanda Mili)



## MATERIALS

Body	<b>GGG640, GGG40.3, GSC25, Bronze RG5, Bronze RG7, RG10, CuSn10, SS304, SS316, Duplex 1.4470</b>	Bonnet	<b>GGG640, GGG40.3, GSC25, Bronze RG5, Bronze RG7, RG10, CuSn10, SS304, SS316, Duplex 1.4470</b>
Disc	<b>Bronze RG5, Bronze RG7, RG10, CuSn10, SS304, SS316, Duplex 1.4470</b>	Gasket	<b>NBR, Special Rubber</b>
Pin	<b>Brass, CuSn10</b>	Nut	<b>Steel, A2, A4</b>
Stud	<b>Steel, A2, A4</b>	Plug	<b>Brass</b>

## FEATURES

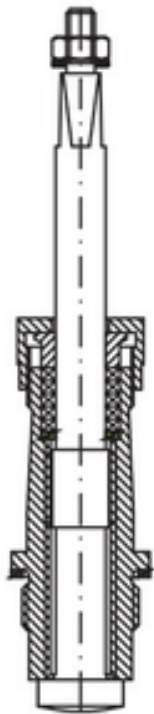
- Angle form (kö\_e tip) body configuration
- Spindle-operated flap disc
- Optional position indicator
- Available with ANSI and JIS flange options
- Multiple body material options including bronze, ductile iron, cast steel, stainless steel, and duplex stainless steel

Install, operate and maintain in accordance with the manufacturer's manual supplied with the product.

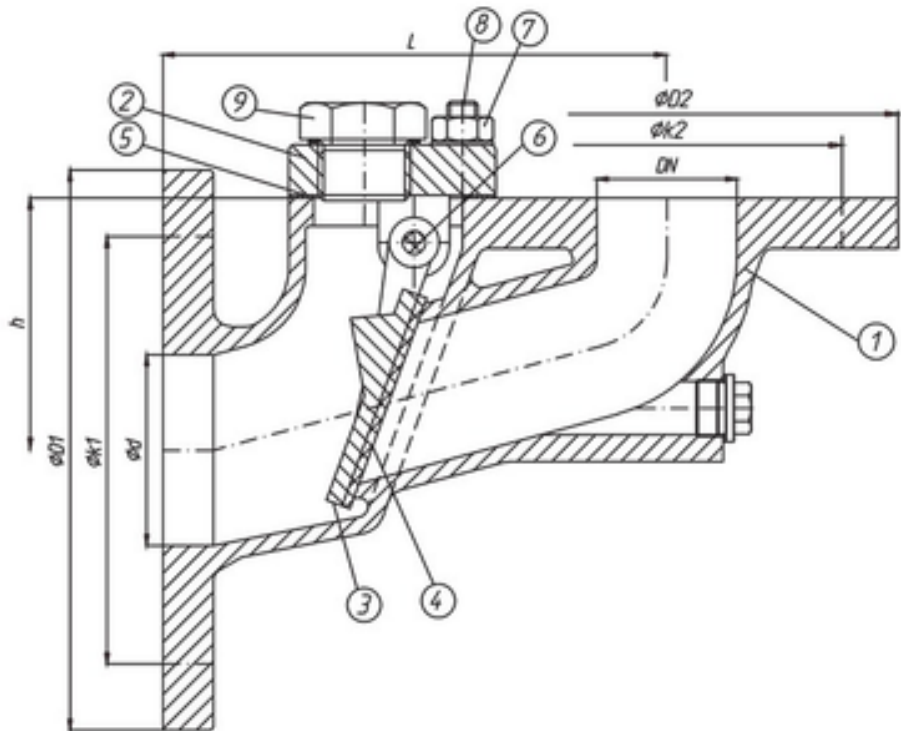
STORM VALVE

# Angle Form Storm Valve

SECTION Technical drawing 1 REF EFC-152



*KUMANDA MILI*  
*With Spindle*



STORM VALVE

# Angle Form Storm Valve

SECTION Dimensions per size REF EFC-152

SIZE	OD	OD1	OK1	OD2	OK2	L	H	WEIGHT
DN50	80	200	160	165	125	180	90	12 kg
DN65	100	220	180	185	145	200	100	14 kg
DN80	125	250	210	200	160	215	108	18 kg
DN100	150	285	240	220	180	250	130	25 kg
DN125	175	315	270	250	210	290	152	35 kg
DN150	200	340	295	285	240	330	176	43 kg
DN200	250	395	350	340	295	425	200	72 kg
DN250	305	445	400	395	350	630	370	150 kg
DN300	400	565	515	445	400	650	370	250 kg
DN350	400	565	515	505	460	800	460	325 kg

Dimensions in millimetres unless stated otherwise. Values are nominal; tolerances confirmed at quote.

Install, operate and maintain in accordance with the manufacturer's manual supplied with the product.

CHECK VALVE

# Threaded Bronze Swing Check Valve

REF **EFC-96** ISSUED 09 Jul 2026

## SPECIFICATIONS

Size	<b>DN15 to DN50</b>
Pressure	<b>20 bar</b>
End connection	<b>threaded (BSP)</b>
Temperature	<b>0°C to 170°C</b>
Media	<b>water, oil, gas</b>

## APPLICATIONS

- water
- oil
- gas

## MATERIALS

Body	<b>Bronze Rg5</b>	Disc	<b>CuZn39Pb3</b>
Hinge	<b>CuZn39Pb3</b>	Pin	<b>SS420</b>
Bonnet	<b>Bronze Rg5</b>	Nut	<b>CuZn39Pb3</b>

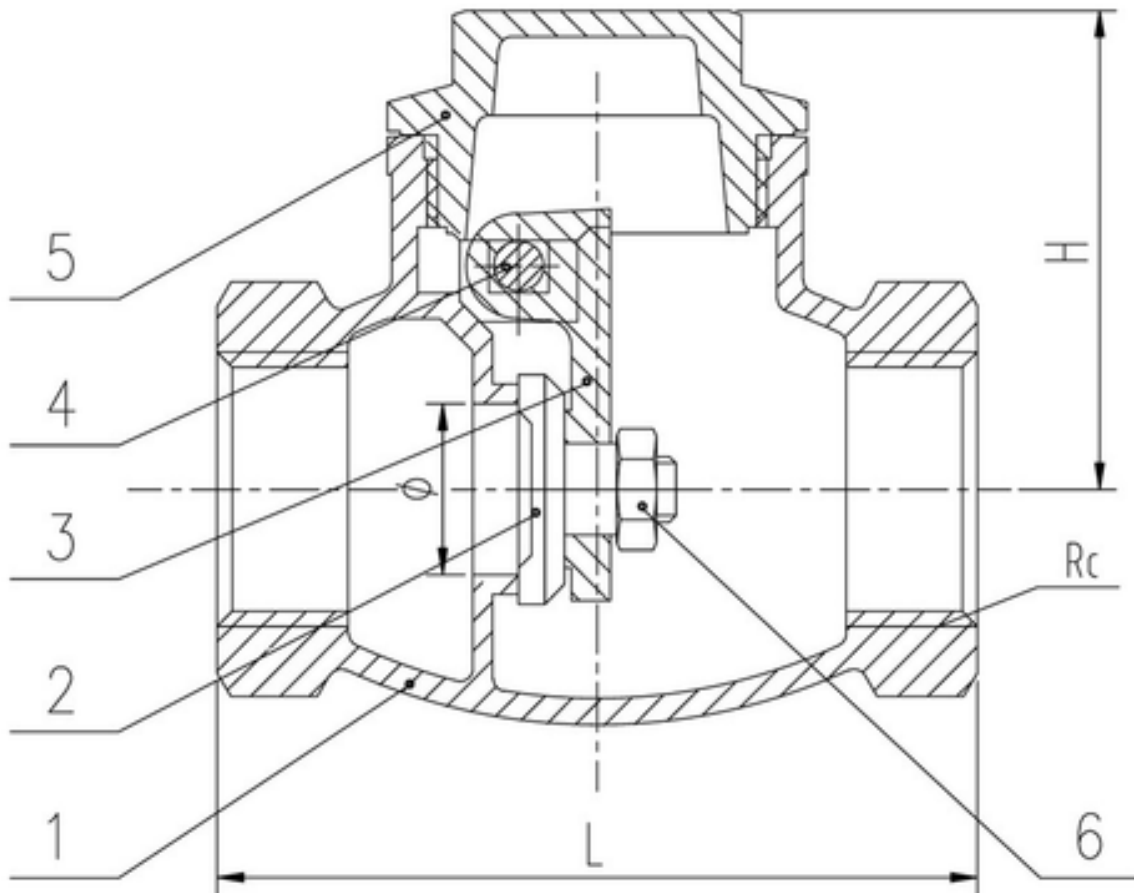


Install, operate and maintain in accordance with the manufacturer's manual supplied with the product.

CHECK VALVE

# Threaded Bronze Swing Check Valve

SECTION Technical drawing 1 REF EFC-96



Install, operate and maintain in accordance with the manufacturer's manual supplied with the product.

**EFC-96** · Specifications confirmed at quote

sales@euroflowcontrol.com · euroflowcontrol.com

CHECK VALVE

# Threaded Bronze Swing Check Valve

SECTION Dimensions per size REF EFC-96

SIZE	L	H	Ø
DN15	58	37	13
DN20	66	43	19
DN25	76	49	25
DN32	88	57.5	32
DN40	96	63	39
DN50	112	72	50

*Dimensions in millimetres unless stated otherwise. Values are nominal; tolerances confirmed at quote.*

BALL VALVE

# Bronze Ball Valve - BSP

REF **EFC-109** ISSUED **09 Jul 2026**

## SPECIFICATIONS

Size	<b>DN8 to DN100</b>
Pressure	<b>20 bar</b>
End connection	<b>threaded (BSP)</b>
Temperature	<b>max 170°C</b>
Media	<b>water, oil, gas</b>

## ACTUATION

- manual lever — Steel chrome plated lever with PVC cover

## APPLICATIONS

- water
- oil and gas

## MATERIALS

Retainer	<b>Bronze Rg5</b>	Packing	<b>PTFE</b>
Seat	<b>PTFE</b>	Ball	<b>Bronze Rg5 (Chrome)</b>
Body	<b>Bronze Rg5</b>	Stem	<b>CuZn36Pb2As</b>
Stem gasket	<b>PTFE</b>	Gland nut	<b>CuZn39Pb3</b>
Lever	<b>Steel (Chrome Plated)</b>	Lever cover	<b>PVC</b>
Gasket	<b>Steel</b>	Nut	<b>Brass</b>

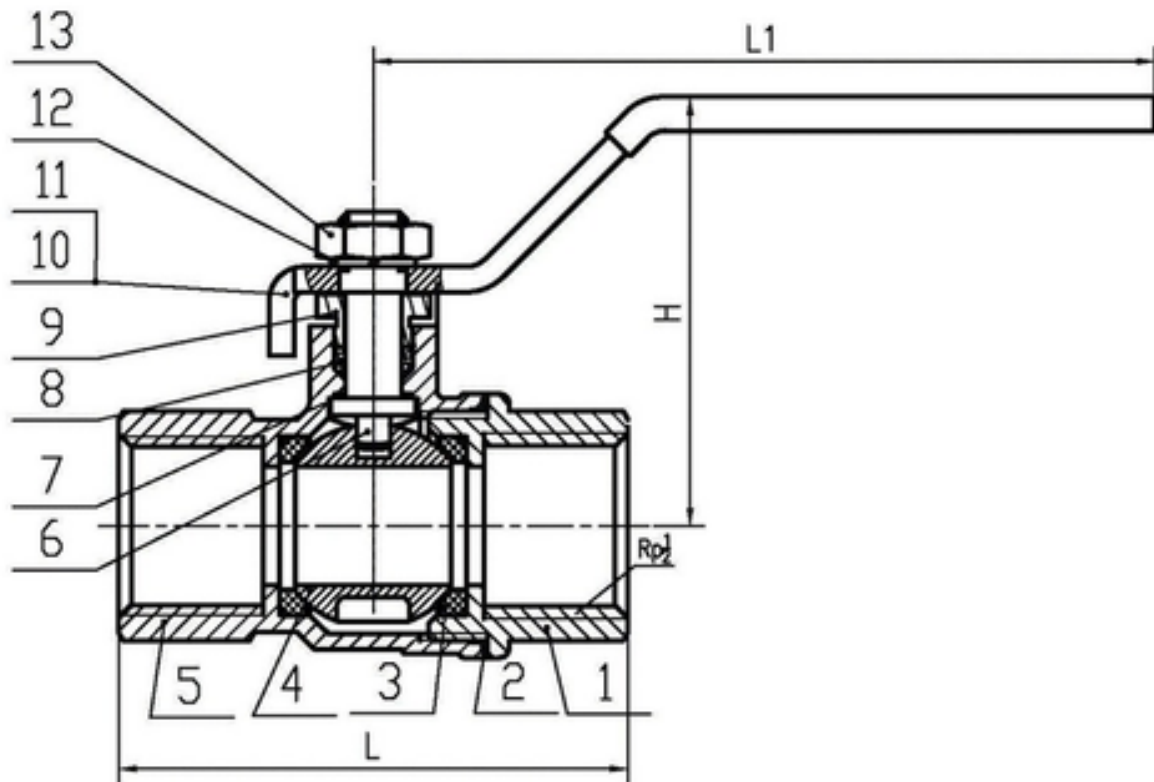


Install, operate and maintain in accordance with the manufacturer's manual supplied with the product.

BALL VALVE

# Bronze Ball Valve - BSP

SECTION Technical drawing 1 REF EFC-109



Install, operate and maintain in accordance with the manufacturer's manual supplied with the product.

BALL VALVE

# Bronze Ball Valve - BSP

SECTION Dimensions per size REF EFC-109

SIZE	L	L1	H	Ø	RC
DN8	43	70	28	9.5	1/4"
DN10	46	70	28	9.5	3/8"
DN15	53	95	44	14	1/2"
DN20	61	110	51	19	3/4"
DN25	71	110	55	24	1"
DN32	85	140	65	31	1-1/4"
DN40	92	140	70	38	1-1/2"
DN50	114	160	83	49	2"
DN65	134	220	118	63	2-1/2"
DN80	152	270	132	73	3"
DN100	182	280	150	90	4"

Dimensions in millimetres unless stated otherwise. Values are nominal; tolerances confirmed at quote.

Install, operate and maintain in accordance with the manufacturer's manual supplied with the product.

STRAINER

# Y-Strainer

REF **EFC-322** ISSUED 09 Jul 2026

## SPECIFICATIONS

Size	<b>DN50 to DN300</b>
Pressure	<b>PN10 to PN16</b>
End connection	<b>flanged (DIN2533) / flanged (ANSI) / flanged (BS4504) / flanged (JIS) / threaded / socket-welded</b>
Face-to-face	<b>DIN3202 F1</b>
Temperature	<b>-10°C to 120°C</b>
Media	<b>Chemicals, air, water, steam, oil, acids, salts</b>

## STANDARDS

Design	<b>DIN3356</b>
Test	<b>DIN3230</b>

## APPLICATIONS

- Water treatment plants
- Oil pipelines
- HVAC systems
- General industrial applications



Install, operate and maintain in accordance with the manufacturer's manual supplied with the product.

**MATERIALS**

Body	<b>Cast Iron, Ductile Iron</b>	Disc	<b>Stainless Steel, Cast Bronze</b>
Stem	<b>Stainless Steel, Brass</b>	Seat ring	<b>Brass</b>
Seat	<b>Brass</b>		

**FEATURES**

- Y-shaped body design for capturing contaminants while allowing fluid flow
- Accessible screen chamber for cleaning and maintenance
- Available in flanged, threaded, or socket-welded end connections
- Y-pattern strainer body with flanged end connections
- Removable bolted cover on strainer basket chamber (square cover plate with 4 bolts)
- Mesh/perforated strainer basket visible through bore
- Flanged ends with multiple bolt holes (8-hole pattern visible on larger size)
- Available in blue (ductile iron / cast iron) and red (cast iron) painted versions

Install, operate and maintain in accordance with the manufacturer's manual supplied with the product.

STRAINER

# Y-Strainer

SECTION Dimensions per size REF EFC-322

SIZE	L	D_PN16	D1_PN16	N_D_PN16	D_PN10	D1_PN10	N_D_PN10
DN50	230	165	125	4-19	165	125	4-19
DN65	290	185	145	4-19	185	145	4-19
DN80	310	200	160	8-19	200	160	8-19
DN100	350	220	180	8-19	220	180	8-19
DN125	400	250	210	8-19	250	210	8-19
DN150	480	285	240	8-23	285	240	8-23
DN200	600	340	295	12-23	340	295	8-23
DN250	730	405	355	12-28	395	350	12-23
DN300	850	460	410	12-28	445	400	12-23
DN350	980	520	470	16-28	505	460	16-23
DN400	1100	580	525	16-31	565	515	16-28
DN450	1200	640	585	20-31	615	565	20-28
DN500	1250	715	650	20-34	670	620	20-28

Dimensions in millimetres unless stated otherwise. Values are nominal; tolerances confirmed at quote.

REFERENCE

# Standards, certification & terms

## OUR RANGE

This catalogue shows a representative selection of the range. Valves are configurable: size, pressure rating, materials and end connections can be specified to your project. Items not shown can be supplied to specification on request.

## STANDARDS & CERTIFICATION

Products are manufactured to the standards listed against each item. Material and test certificates (EN 10204 3.1), and approvals such as PED, ATEX, fire-safe (API 607 / 6FA) or marine classification, are available on request and confirmed per order. Certification is provided to project requirements.

## TERMS

Specifications shown are indicative and confirmed at quotation. Dimensions, materials and ratings are subject to confirmation against the supplier datasheet for the configured item, and subject to change without notice. This catalogue does not constitute an offer.

© 2026 EAP Global Limited, trading as Euro Flow Control. Company no. Malta C 110100.

NEXT STEP

## How to enquire

Submit your requirement in whichever format is convenient. Each enquiry is reviewed and answered with a quotation.

**1 Submit a specification or parts list**

Email a specification, drawing or line list (PDF, Word or Excel); each line is matched to the range.

**2 Describe your requirement**

Provide the duty, size, pressure and material, together with any supporting documents.

**3 Enquire online**

Submit a request at [euroflowcontrol.com](http://euroflowcontrol.com).

**EAP Global Limited (trading as Euro Flow Control)**

Airedesk Business Hub 17, Triq Il-Modd, Swieqi, SWQ 2373, Malta  
[sales@euroflowcontrol.com](mailto:sales@euroflowcontrol.com) · +351 912 529 904 · [euroflowcontrol.com](http://euroflowcontrol.com)  
Company no. Malta C 110100

We acknowledge every enquiry within one business day.