

APPLICATION CATALOGUE

Fire Protection Valves

Valves and hydrants for fire detection, suppression and water supply systems

A representative selection of the range. Valves are configurable to your specification.

Fire protection systems demand reliable isolation and clear compliance with installation standards. This selection brings together the gate, butterfly and check valves and fire hydrants specified for detection, suppression and water-supply duty. Specifications are indicative and confirmed at the time of quotation.

KEY STANDARDS

- EN 1074-1 (general valve requirements)
- EN 1074-2 (isolation valves)
- EN 14384 (above-ground fire hydrants)
- EN 14339 (underground fire hydrants)
- EN 12845 (fixed firefighting systems)

SUPPLIED BY

EAP Global Limited (trading as Euro Flow Control)

Airedesk Business Hub 17, Triq Il-Modd, Swieqi, SWQ 2373, Malta · Company no. Malta C 110100
sales@euroflowcontrol.com · +351 912 529 904 · euroflowcontrol.com

Issued July 2026

WHO WE ARE

About Euro Flow Control

Euro Flow Control supplies industrial valves and flow control equipment to industry across Europe and worldwide.

This catalogue shows a selection of our range. It is indicative of what we supply, not a limit: we source a great deal more to specification, so if you do not see what you need, please ask.

Euro Flow Control supplies equipment to project specification across water and wastewater, marine, fire protection, HVAC, oil and gas and industrial process applications. Requirements outside the range shown are supplied to specification on request.

Enquiries are handled on a project basis. On receipt of a specification, parts list or written description of requirement, we prepare a quotation for review.

SECTORS SERVED

Water and wastewater. Marine and offshore. Fire protection. HVAC and building services. Oil and gas. Industrial process.

STANDARDS AND CERTIFICATION

Products are manufactured to recognised international standards (API, ASME, EN, ISO and DIN). Material and test certification to EN 10204 3.1 is provided as standard, with PED, ATEX, fire-safe (API 607 / 6FA) and marine classification available on request and confirmed per order.

ENQUIRY TO QUOTATION

- Submit your requirement as a specification, parts list or written description.
- We confirm specification, materials, end connections and applicable standards against your requirement.
- We issue a quotation, with certification and approvals provided to project requirements.

SUPPLIED BY

EAP Global Limited (trading as Euro Flow Control)

sales@euroflowcontrol.com · euroflowcontrol.com

Issued July 2026

Contents

FIRE PROTECTION VALVES

Download other catalogues and browse the live range at euroflowcontrol.com

Valve types

Click a type to jump to its section

Fire Hydrant	10
Gate Valve	1

Fire Hydrant

10 products · p.5

EFC-159	Over Ground Fire Hydrant	5
EFC-160	Under Ground Hydrant (Short Type)	9
EFC-161	Fire Valve Straight Type	12
EFC-162	Angle Type Fire Valve	16
EFC-163	Angle Type 30 Oblique Type Fire Valve	19
EFC-164	Threaded Angle Type Fire Valve	22
EFC-165	Fire Hydrant Diaphragm Valve	26
EFC-166	Fire Valve Straight Type (Bolted Bonnet)	29
EFC-167	Angle Type Fire Valve (Bolted Bonnet)	33
EFC-168	Angle Type 30 Oblique Type Fire Valve (Bolted Bonnet)	37

Gate Valve

1 product · p.41

EFC-253	Cast Iron Rising Stem Gate Valve with Signal Head	41
----------------	---	-----------

FIRE HYDRANT

Over Ground Fire Hydrant

REF **EFC-159** ISSUED 08 Jul 2026

SPECIFICATIONS

Size	DN80 to DN100
Pressure	PN10 to PN16
End connection	flanged (DIN 3222 / TS 2821-1a)
Media	water

STANDARDS

Design	TS 2821-1a
--------	-------------------

APPLICATIONS

- Above-ground firefighting water supply
- Municipal fire protection networks
- Industrial fire protection



Install, operate and maintain in accordance with the manufacturer's manual supplied with the product.

EFC-159 · Specifications confirmed at quote

sales@euroflowcontrol.com · euroflowcontrol.com

MATERIALS

Body	GG 25, GGG-40-50	Coupling	Al Alloy
Coupling cover	Al Alloy	Upper pipe	GG 25, GGG-40-50
Gasket	EPDM	Bolt	5 D, SS
Nut	5 D, Paslanmaz Çelik	Stem	AISI 304, Ms-58
Bushing	Ms-58, Bronze	O ring	EPDM
Cap	GG 25	Stem nut	Ms 58, Bronze
Shaft	St 37	Lower pipe	GG 25, GGG-40, GGG-50
Lower body	GG 25, GGG-40, GGG-50	Disc	Ms 58, Bronze
Cone upper part	GG 25, GGG-40, GGG-50	Valve cone	GG 25 + EPDM
Cone lower part	GG 25, GGG-40, GGG-50	Nut lower	5D, Paslanmaz Çelik
Drainage plug	Ms 58, Bronze	90 elbow	GG 25, GGG-40, GGG-50

FEATURES

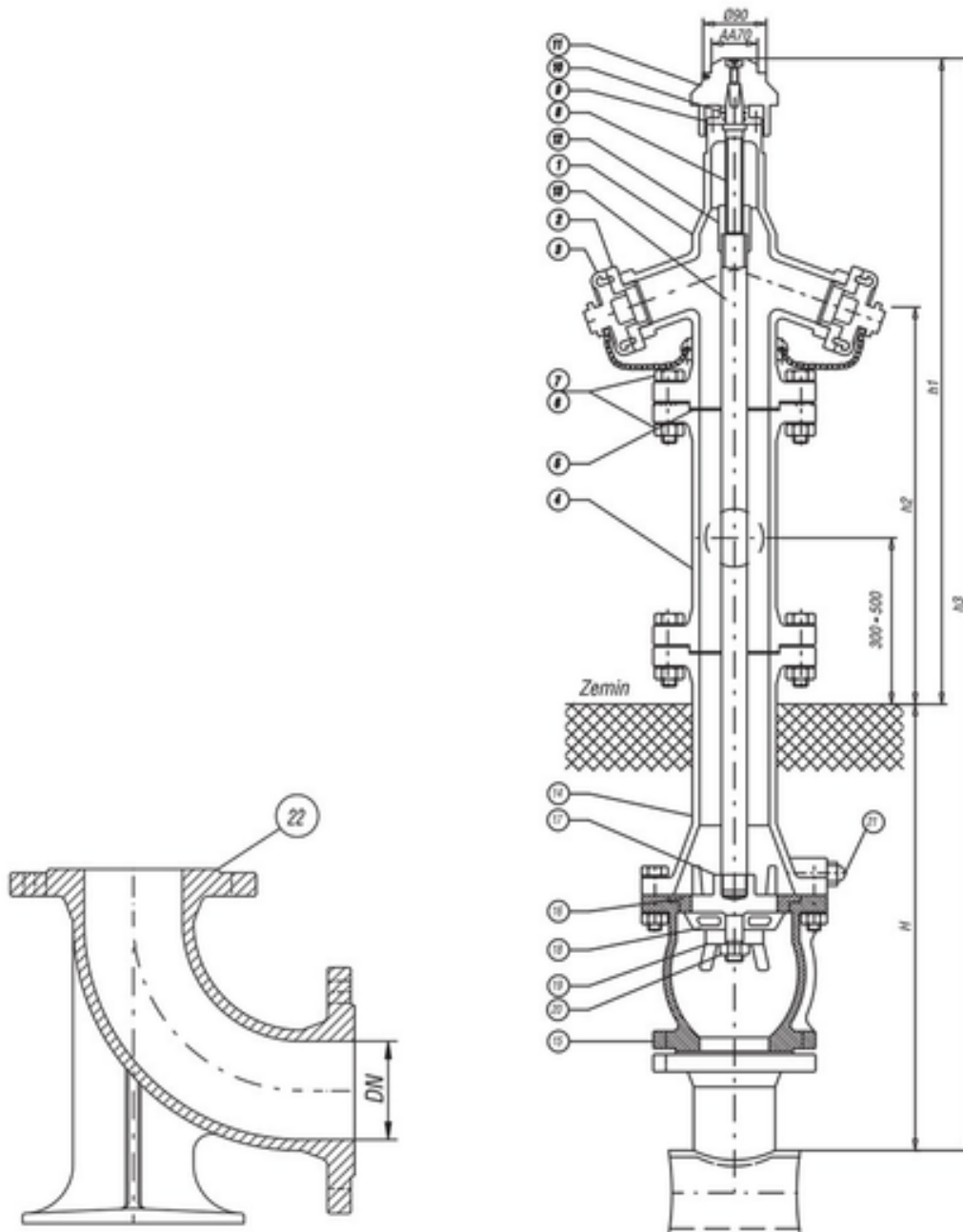
- Available in DN80 and DN100 nominal bore sizes
- Pressure rated PN10/16
- Flanged end connections per DIN 3222 and TS 2821-1a
- EPDM sealing gaskets and O-rings
- Bronze disc and stem nut components
- Stainless steel bolts and nuts
- Integrated 90° elbow at base
- Drainage plug for frost protection
- Adjustable burial depth via variable h3 dimension
- Single and double outlet configurations available
- Outlet dimensions per DIN 3222: 2" (DN80) and 2 1/2" (DN100)

Install, operate and maintain in accordance with the manufacturer's manual supplied with the product.

FIRE HYDRANT

Over Ground Fire Hydrant

SECTION Technical drawing 1 REF EFC-159



Install, operate and maintain in accordance with the manufacturer's manual supplied with the product.

FIRE HYDRANT

Over Ground Fire Hydrant

SECTION Dimensions per size REF EFC-159

SIZE	H1_MIN	H2_MIN	H3	H
DN80	1030	630	1435	550
DN80	1030	630	1750	900
DN100	1030	630	2150	1250
DN100	1030	630	2400	1500

Dimensions in millimetres unless stated otherwise. Values are nominal; tolerances confirmed at quote.

FIRE HYDRANT

Under Ground Hydrant (Short Type)

REF **EFC-160** ISSUED 08 Jul 2026

SPECIFICATIONS

Size	DN80
Pressure	PN10 to PN16
End connection	flanged (DIN 3221 / TS 2821/2)
Face-to-face	DIN 3221, TS 2821/2

APPLICATIONS

- Fire fighting
- Irrigation



Install, operate and maintain in accordance with the manufacturer's manual supplied with the product.

MATERIALS

Body	GG 25, GGG-40-50	Valve cone	GG 25, GGG-40-50
Cover	GG 25, GGG-40-50	Stem	AISI 304, Ms-58
O ring nut	AISI 304, Ms-58	O ring	EPDM
Gasket	EPDM	Bolt 9	5 D, SS
Shaft cap	GG 25	Cotter pin	St 37, AISI 304
Outlet	GG 25, GGG-40-50	Outlet seat	Ms 58, AISI 304
Outlet gasket	EPDM	Bolt 15	5 D, SS
Outlet cover	GG 25	Drainage plug	Ms 58, Bronze
Lower pipe	GG 25, GGG-40-50	Lower pipe gasket	EPDM
Bolt 20	5 D, SS	Nut	5D, Paslanmaz Çelik
Surface box	GG 25	Elbow 90	GG 25, GGG-40-50

FEATURES

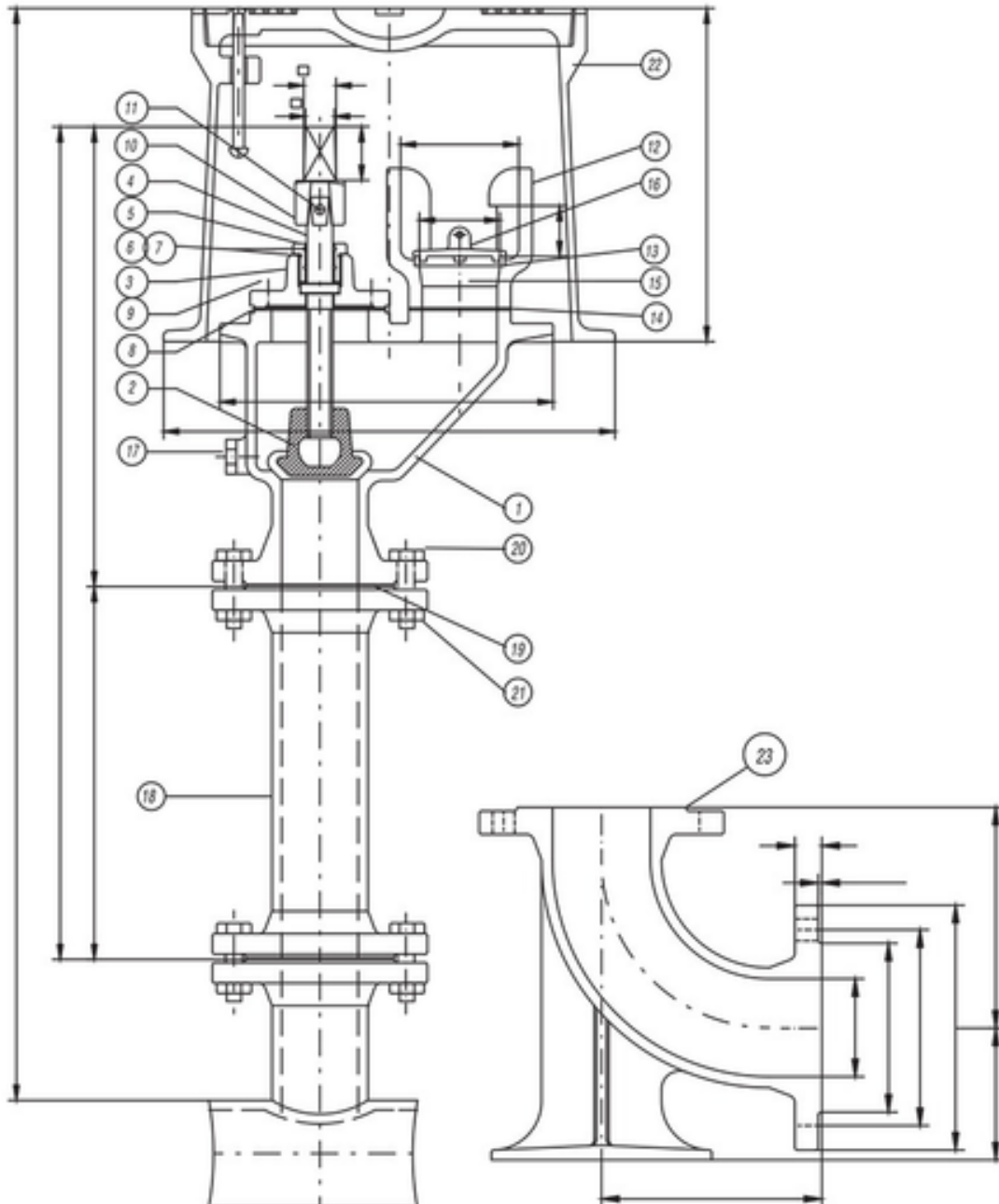
- Short type underground hydrant configuration
- Valve cone closure mechanism
- Integrated drainage plug for self-draining operation
- 90° elbow lower pipe assembly
- Surface box included for below-grade installation
- Flanged end connections to DIN 3221 / TS 2821/2

Install, operate and maintain in accordance with the manufacturer's manual supplied with the product.

FIRE HYDRANT

Under Ground Hydrant (Short Type)

SECTION Technical drawing 1 REF EFC-160



Install, operate and maintain in accordance with the manufacturer's manual supplied with the product.

FIRE HYDRANT

Fire Valve Straight Type

REF **EFC-161** ISSUED 08 Jul 2026

SPECIFICATIONS

Size	DN40 to DN65
Pressure	PN16
End connection	flanged (EN 1092-3/B)
Face-to-face	Manufacturer standard
Media	water, fire-fighting water

ACTUATION

- manual handwheel — GG25 or Bronze Rg5 handwheel

STANDARDS

Design	BS 5041, DIN 86211
Test	EN 12266

APPLICATIONS

- fire fighting
- fire hydrant systems



Install, operate and maintain in accordance with the manufacturer's manual supplied with the product.

MATERIALS

Body	Bronze Rg5, CuSn10, GS-C25	Disc	Bronze Rg5, CuSn10, GS-C25
Seat	NBR, EPDM	Stem	Cu Zn39Pb3, SS 420, SS316
Gasket	NBR, EPDM, Klingerite	Bonnet	Bronze Rg5, CuSn10, GS-C25
Packing	Graphite, PTFE	Gland	Brass Ms58, SS420
Gland nut	Brass Ms58	Handwheel	GG 25, Bronze Rg5
Bolt	A2 (SS304)	Fixed coupling	Bronze Rg5, Aluminum
Seal coupling	NBR, EPDM	Blind coupling	Bronze Rg5, Aluminum
Chain rope	SS		

FEATURES

- Screwed bonnet construction
- Straight-type body configuration
- Coupling options: Storz, BS 336, Nor, Nakajima
- Flange options available in ASME, JIS, VG in addition to EN 1092-3/B
- Fixed and blind coupling accessories included
- Chain/rope retainer for coupling cap

FIRE HYDRANT

Fire Valve Straight Type

SECTION Dimensions per size REF EFC-161

SIZE	L	L1	H_CLOSE	H_OPEN	G	D1	C	OD	OK	OG	B	F	N_OD	WEIGHT
DN40	150	220	160	170	1-1/2" inch	98	140	150	110	84	14	2	4-18	6.5 kg
DN50	165	235	165	180	2" inch	98	140	165	125	99	16	2	4-18	8 kg
DN65	200	265	185	205	2-1/2" inch	126	150	185	145	118	16	2	4-18	11.5 kg

Dimensions in inches unless stated otherwise. Values are nominal; tolerances confirmed at quote.

Install, operate and maintain in accordance with the manufacturer's manual supplied with the product.

EFC-161 · Specifications confirmed at quote

sales@euroflowcontrol.com · euroflowcontrol.com

FIRE HYDRANT

Angle Type Fire Valve

REF **EFC-162** ISSUED 08 Jul 2026

SPECIFICATIONS

Size	DN40 to DN65
Pressure	PN16
End connection	flanged (EN 1092-3/B)
Face-to-face	DIN 86211

ACTUATION

- manual handwheel — GG 25 or Bronze Rg5 handwheel

STANDARDS

Design	BS 5041, DIN 86211
Test	EN 12266

MATERIALS

Body	Bronze Rg5, CuSn10, GS-C25	Disc	Bronze Rg5, CuSn10, GS-C25
Seat	NBR, EPDM	Stem	Cu Zn39Pb3, SS 420, SS316
Gasket	NBR, EPDM, Klingerite	Bonnet	Bronze Rg5, CuSn10, GS-C25
Packing	Graphite, PTFE	Gland	Brass Ms58, SS420
Gland nut	Brass Ms58	Handwheel	GG 25, Bronze Rg5
Bolt	A2 (SS304)	Fixed coupling	Bronze Rg5, Aluminum
Seal coupling	NBR, EPDM	Blind coupling	Bronze Rg5, Aluminum
Chain rope	SS		



FEATURES

- Screwed bonnet design
- Angle type configuration
- Compatible with Storz, BS 336, Nor, and Nakajima coupling standards
- Flange options available: ASME, JIS, VG
- Fixed and blind coupling options included
- Chain/rope retainer for blind coupling in stainless steel

Install, operate and maintain in accordance with the manufacturer's manual supplied with the product.

FIRE HYDRANT

Angle Type Fire Valve

SECTION Dimensions per size REF EFC-162

SIZE	L	L1	HH_CLOSED	H_OPEN	D1	C	OD	OK	OG	B	F	WEIGHT	
DN40	75	145	65	200	215	98	140	150	110	84	14	2	6 kg
DN50	75	145	75	210	225	98	140	165	125	99	16	2	7.3 kg
DN65	95	160	90	235	255	126	150	185	145	118	16	2	10.5 kg

Dimensions in millimetres unless stated otherwise. Values are nominal; tolerances confirmed at quote.

Install, operate and maintain in accordance with the manufacturer's manual supplied with the product.

EFC-162 · Specifications confirmed at quote

sales@euroflowcontrol.com · euroflowcontrol.com

FIRE HYDRANT

Angle Type 30 Oblique Type Fire Valve

REF **EFC-163** ISSUED 08 Jul 2026

SPECIFICATIONS

Size	DN40 to DN65
Pressure	PN16
End connection	flanged (EN 1092-3/B) / flanged (ASME) / flanged (JIS) / flanged (VG)
Face-to-face	Manufacturer standard

ACTUATION

- manual handwheel — GG 25 or Bronze Rg5 handwheel

STANDARDS

Design	BS 5041, DIN 86211
Test	EN 12266

MATERIALS

Body	Bronze Rg5, CuSn10, GS-C25	Disc	Bronze Rg5, CuSn10, GS-C25
Seal	NBR, EPDM	Stem	Cu Zn39Pb3, SS 420, SS316
Gasket	NBR, EPDM, Klingerite	Bonnet	Bronze Rg5, CuSn10, GS-C25
Packing	Graphite, PTFE	Gland	Brass Ms58, SS420
Gland nut	Brass Ms58	Handwheel	GG 25, Bronze Rg5
Bolt	A2 (SS304)	Fixed coupling	Bronze Rg5, Aluminum
Seal 13	NBR, EPDM	Blind coupling	Bronze Rg5, Aluminum
Chain rope	SS		

FEATURES

- 30° oblique body configuration
- Screwed bonnet design
- Coupling options: Storz, BS 336, Nor, Nakajima
- Fixed and blind coupling accessories
- Chain/rope retention for blind coupling

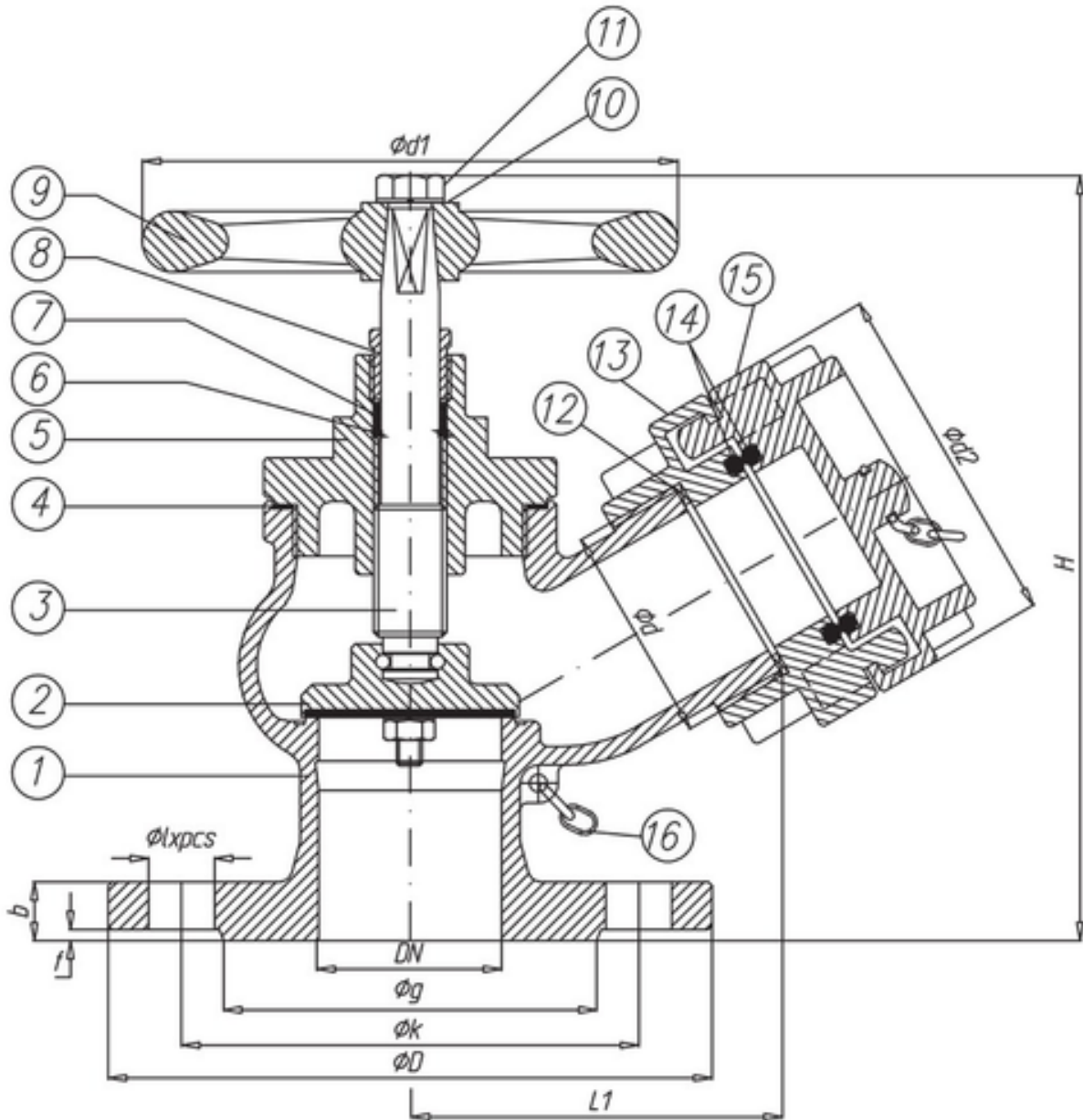
Install, operate and maintain in accordance with the manufacturer's manual supplied with the product.



FIRE HYDRANT

Angle Type 30 Oblique Type Fire Valve

SECTION Technical drawing 1 REF EFC-163



Install, operate and maintain in accordance with the manufacturer's manual supplied with the product.

FIRE HYDRANT

Angle Type 30 Oblique Type Fire Valve

SECTION Dimensions per size REF EFC-163

SIZE	L	L1	H_CLOSE	H_OPEN	G	D1	C	OD	OK	OG	B	F	N_OD	WEIGHT
DN40	85	151	200	210	1-1/2"	98	140	150	110	84	14	2	4-18	6.4 kg
DN50	96	159	205	220	2"	98	140	165	125	99	16	2	4-18	7.7 kg
DN65	116	180	235	255	2-1/2"	126	150	185	145	118	16	2	4-18	11.4 kg

Dimensions in millimetres unless stated otherwise. Values are nominal; tolerances confirmed at quote.

Install, operate and maintain in accordance with the manufacturer's manual supplied with the product.

EFC-163 · Specifications confirmed at quote

sales@euroflowcontrol.com · euroflowcontrol.com

FIRE HYDRANT

Threaded Angle Type Fire Valve

REF **EFC-164** ISSUED 08 Jul 2026

SPECIFICATIONS

Size	DN40 to DN65
Pressure	PN16
End connection	threaded (ISO 228-1) / flanged (EN 1092-3/B)
Media	water, fire fighting water

ACTUATION

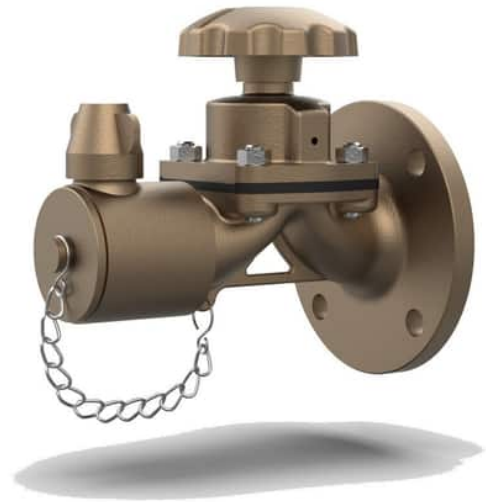
- manual handwheel — GG 25 or Bronze Rg5 handwheel

STANDARDS

Design	DIN 86211
Test	EN 12266

APPLICATIONS

- fire fighting
- fire hydrant systems



Install, operate and maintain in accordance with the manufacturer's manual supplied with the product.

MATERIALS

Body	Bronze Rg5, CuSn10, GS-C25	Disc	Bronze Rg5, CuSn10, GS-C25
Seat	NBR, EPDM	Stem	Cu Zn39Pb3, SS 420, SS316
Gasket	NBR, EPDM, Klingerite	Bonnet	Bronze Rg5, CuSn10, GS-C25
Packing	Graphite, PTFE	Gland	Brass Ms58, SS420
Gland nut	Brass Ms58	Handwheel	GG 25, Bronze Rg5
Bolt	A2 (SS304)	Fixed coupling	Bronze Rg5, Aluminum
Coupling seal	NBR, EPDM	Blind coupling	Bronze Rg5, Aluminum
Chain rope	SS		

FEATURES

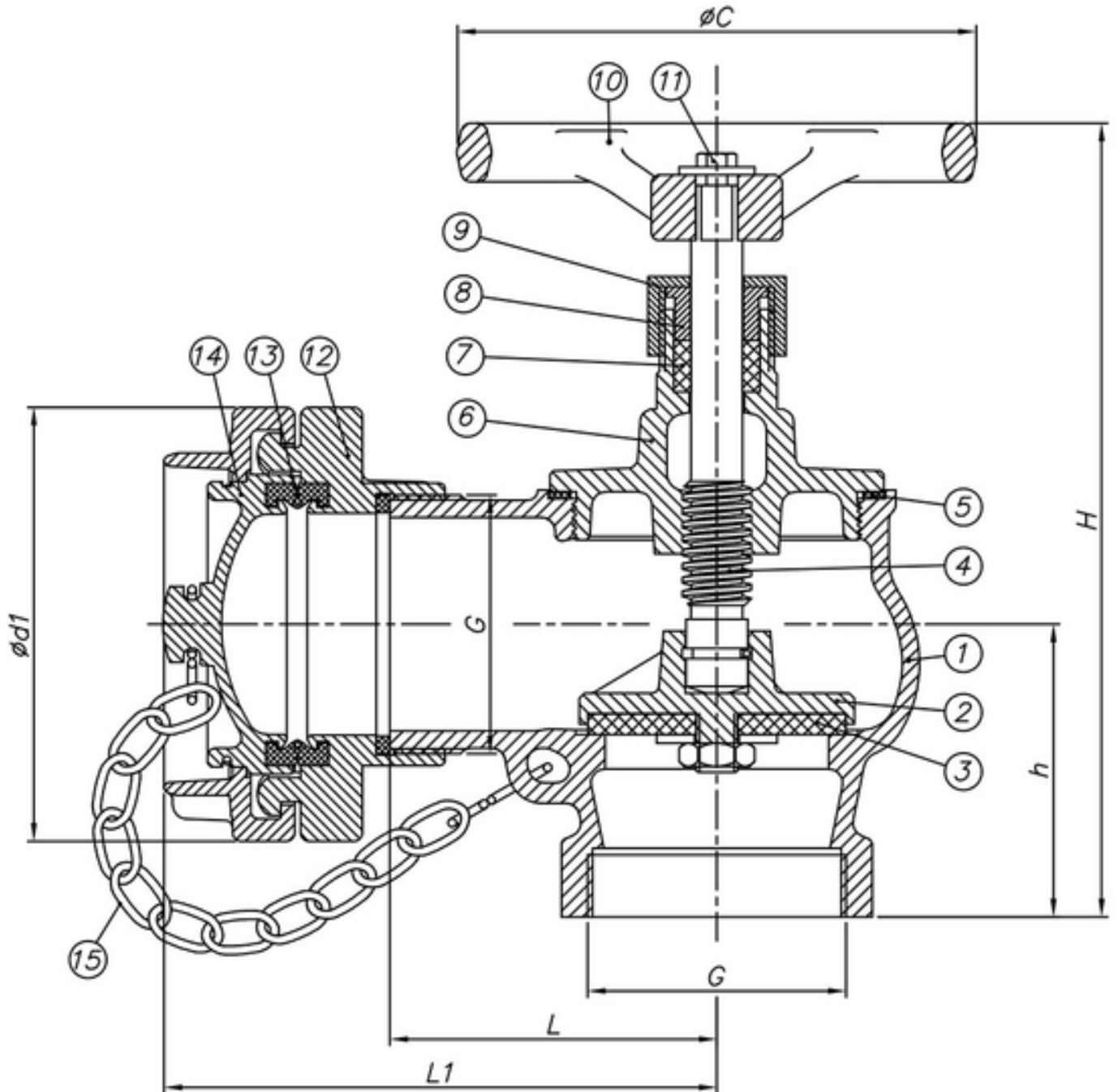
- Angle type configuration
- BSP threaded inlet connection per ISO 228-1
- Compatible with Storz, BS 336, Nor, and Nakajima coupling options
- Fixed and blind coupling options available
- Chain/rope retainer for blind coupling
- Flange outlet to EN 1092-3/B PN10/PN16

Install, operate and maintain in accordance with the manufacturer's manual supplied with the product.

FIRE HYDRANT

Threaded Angle Type Fire Valve

SECTION Technical drawing 1 REF EFC-164



Install, operate and maintain in accordance with the manufacturer's manual supplied with the product.

FIRE HYDRANT

Threaded Angle Type Fire Valve

SECTION Dimensions per size REF EFC-164

SIZE	L	L1	HH_CLOSEDHH_OPEN		G	D1	C	OD	OK	OG	B	F	N_OD	WEIGHT	
DN40	75	145	65	200	215	1-1/2" BSP	98	140	150	110	84	14	2	4-18	6 kg
DN50	75	145	75	210	225	2" BSP	98	140	165	125	99	16	2	4-18	7.3 kg
DN65	95	160	90	235	255	2-1/2" BSP	126	150	185	145	118	16	2	4-18	10.5 kg

Dimensions in millimetres unless stated otherwise. Values are nominal; tolerances confirmed at quote.

Install, operate and maintain in accordance with the manufacturer's manual supplied with the product.

EFC-164 · Specifications confirmed at quote

sales@euroflowcontrol.com · euroflowcontrol.com

FIRE HYDRANT

Fire Hydrant Diaphragm Valve

REF **EFC-165** ISSUED 08 Jul 2026

SPECIFICATIONS

Size	DN65 to DN80
Pressure	Class 150
End connection	flanged (ASME B16.5) / flanged (EN) / flanged (JIS) / flanged (VG)
Face-to-face	Manufacturer standard, DIN 86211

ACTUATION

- manual handwheel — GG 25 or Bronze Rg5 handwheel

STANDARDS

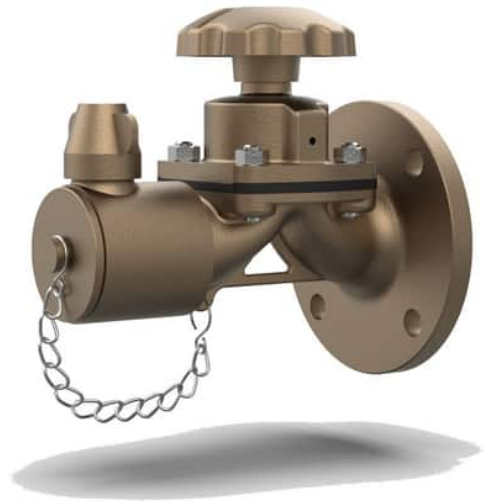
Design	Manufacturer standard
Test	EN 12266, API 598

MATERIALS

Body	Bronze Rg5	Diaphragm	Bronze Rg5
Disc	Reinforced Rubber	Bonnet	Bronze Rg5, CuSn10, GS-C25
Bolt nut	A2 (SS304)	Stem	Cu Zn39Pb3, SS 420, SS316
Handwheel	GG 25, Bronze Rg5	Spring pin	SS302
Fixed coupling	Bronze Rg5, Aluminum	Gasket	NBR, EPDM
Coupling seal	NBR, EPDM	Coupling cover	Bronze Rg5, Aluminum
Chain rope	SS		

FEATURES

- Diaphragm-type construction for fire-fighting service
- Coupling options: Storz, BS 336, Nor, Nakajima
- Chain/rope retention for coupling cover
- Multiple flange standards available (EN, JIS, VG) in addition to ASME B16.5

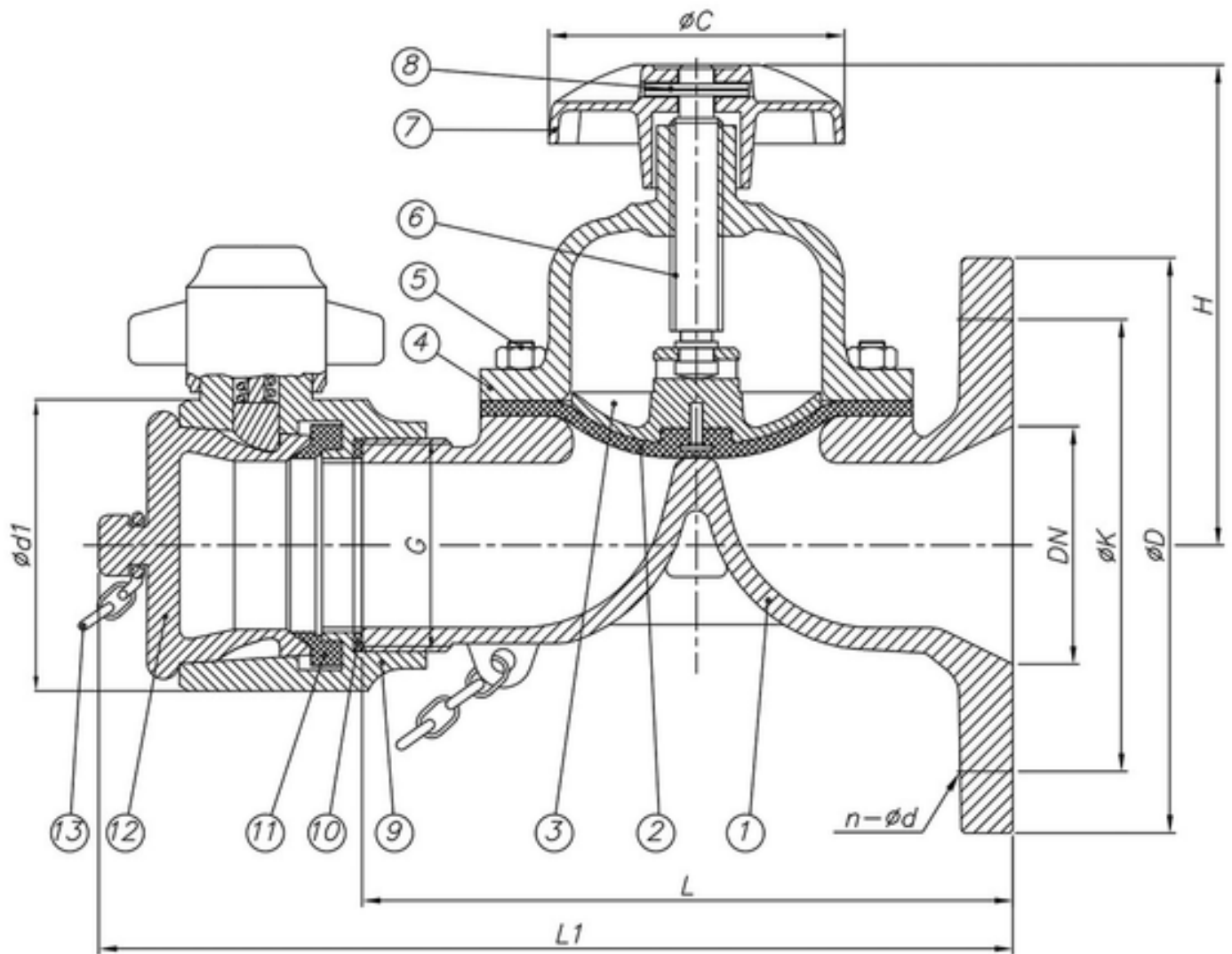


Install, operate and maintain in accordance with the manufacturer's manual supplied with the product.

FIRE HYDRANT

Fire Hydrant Diaphragm Valve

SECTION Technical drawing 1 REF EFC-165



Install, operate and maintain in accordance with the manufacturer's manual supplied with the product.

FIRE HYDRANT

Fire Hydrant Diaphragm Valve

SECTION Dimensions per size REF EFC-165

SIZE	L	L1H_CLOSEH_OPEN		G	D1	C	OD	OK	WEIGHT	
DN65	190	270	155	190	2-1/2" inch	85	120	178	139.7	12.6 kg
DN80	190	270	155	190	2-1/2" inch	85	120	190.5	152.4	13 kg

Dimensions in inches unless stated otherwise. Values are nominal; tolerances confirmed at quote.

FIRE HYDRANT

Fire Valve Straight Type (Bolted Bonnet)

REF **EFC-166** ISSUED 08 Jul 2026

SPECIFICATIONS

Size	DN40 to DN65
Pressure	PN16
End connection	flanged (EN 1092-3/B)
Face-to-face	Manufacturer standard
Media	water, fire-fighting water

ACTUATION

- manual handwheel — GG25 or Bronze Rg5 handwheel

STANDARDS

Design	BS 5041, DIN 86211
Test	EN 12266

APPLICATIONS

- fire fighting
- fire hydrant systems



Install, operate and maintain in accordance with the manufacturer's manual supplied with the product.

MATERIALS

Body	Bronze Rg5, CuSn10, GS-C25	Disc	Bronze Rg5, CuSn10, GS-C25
Seat	NBR, EPDM	Stem	Cu Zn39Pb3, SS 420, SS316
Gasket	NBR, EPDM, Klingerite	Bonnet	Bronze Rg5, CuSn10, GS-C25
Packing	Graphite, PTFE	Gland	Brass Ms58, SS420
Gland nut	Brass Ms58	Handwheel	GG 25, Bronze Rg5
Bolt	A2 (SS304)	Fixed coupling	Bronze Rg5, Aluminum
Seal	NBR, EPDM	Blind coupling	Bronze Rg5, Aluminum
Chain rope	SS	Bolt nut	A2 (SS304)

FEATURES

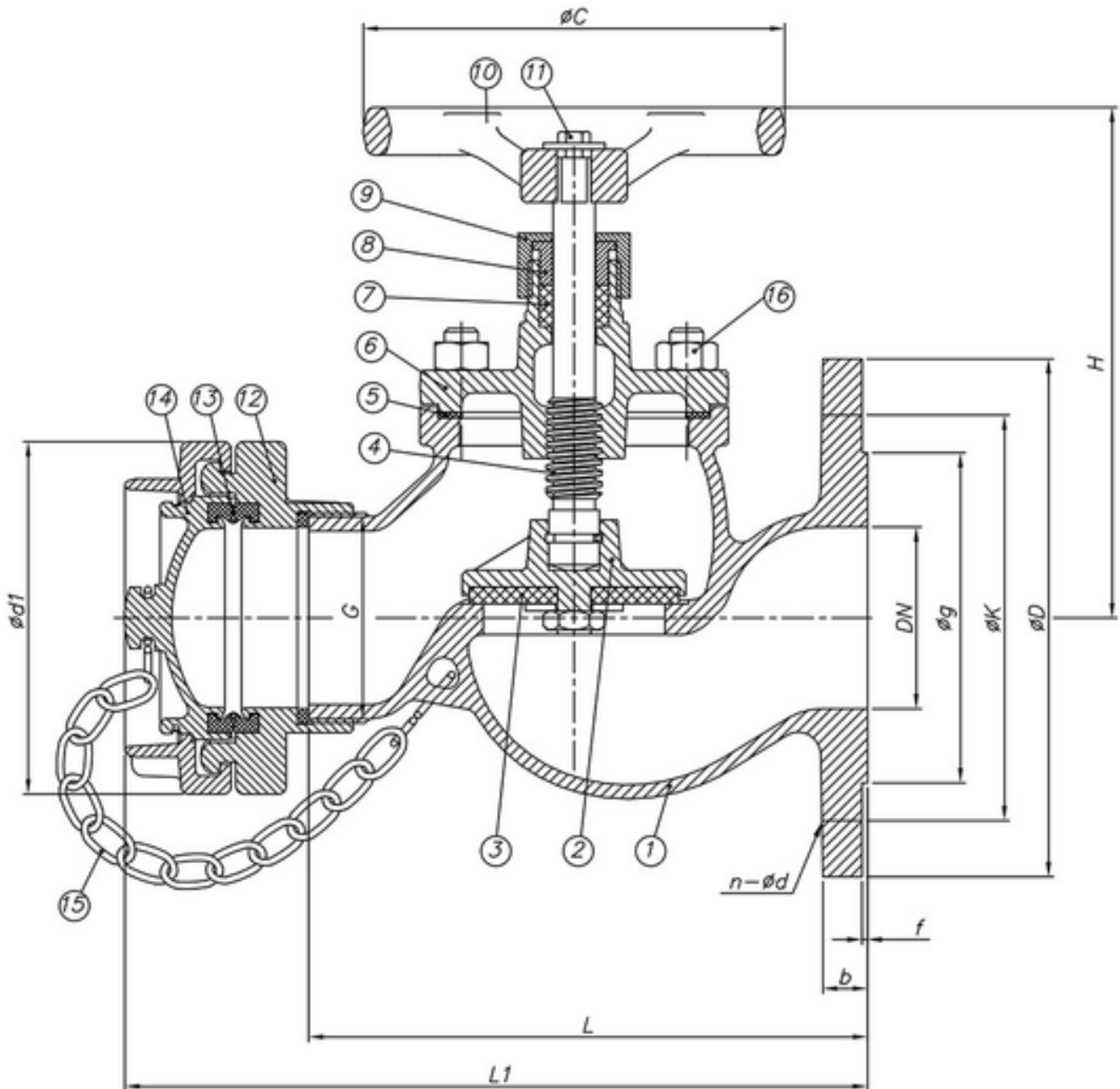
- Bolted bonnet construction
- Straight-type body configuration
- Compatible with Storz, BS 336, Nor, and Nakajima couplings
- Fixed coupling and blind coupling included
- Chain/rope retainer for coupling cap
- Flange options available in ASME, JIS, and VG standards in addition to EN 1092-3/B

Install, operate and maintain in accordance with the manufacturer's manual supplied with the product.

FIRE HYDRANT

Fire Valve Straight Type (Bolted Bonnet)

SECTION Technical drawing 1 REF EFC-166



Install, operate and maintain in accordance with the manufacturer's manual supplied with the product.

FIRE HYDRANT

Fire Valve Straight Type (Bolted Bonnet)

SECTION Dimensions per size REF EFC-166

SIZE	L	L1	H_CLOSE	H_OPEN	G	D1	C	OD	OK	OG	B	F	N_OD	WEIGHT
DN40	150	220	160	170	1-1/2" inch	98	140	150	110	84	14	2	4-18	6.8 kg
DN50	165	235	165	180	2" inch	98	140	165	125	99	16	2	4-18	8.2 kg
DN65	200	265	185	205	2-1/2" inch	126	150	185	145	118	16	2	4-18	12.2 kg

Dimensions in inches unless stated otherwise. Values are nominal; tolerances confirmed at quote.

Install, operate and maintain in accordance with the manufacturer's manual supplied with the product.

EFC-166 · Specifications confirmed at quote

sales@euroflowcontrol.com · euroflowcontrol.com

FIRE HYDRANT

Angle Type Fire Valve (Bolted Bonnet)

REF **EFC-167** ISSUED **08 Jul 2026**

SPECIFICATIONS

Size	DN40 to DN65
Pressure	PN16
End connection	flanged (EN 1092-3/B) / flanged (ASME) / flanged (JIS) / flanged (VG)
Face-to-face	Manufacturer standard

ACTUATION

- manual handwheel — GG 25 or Bronze Rg5 handwheel

STANDARDS

Design	BS 5041, DIN 86211
Test	EN 12266

APPLICATIONS

- Fire fighting systems
- Fire hydrant installations



Install, operate and maintain in accordance with the manufacturer's manual supplied with the product.

MATERIALS

Body	Bronze Rg5, CuSn10, GS-C25	Disc	Bronze Rg5, CuSn10, GS-C25
Seat	NBR, EPDM	Stem	Cu Zn39Pb3, SS 420, SS316
Gasket	NBR, EPDM, Klingerite	Bonnet	Bronze Rg5, CuSn10, GS-C25
Packing	Graphite, PTFE	Gland	Brass Ms58, SS420
Gland nut	Brass Ms58	Handwheel	GG 25, Bronze Rg5
Bolt	A2 (SS304)	Fixed coupling	Bronze Rg5, Aluminum
Seal coupling	NBR, EPDM	Blind coupling	Bronze Rg5, Aluminum
Chain rope	SS	Bolt nut	A2 (SS304)

FEATURES

- Angle-type body configuration
- Bolted bonnet construction
- Multiple coupling options: Storz, BS 336, Nor, Nakajima
- Fixed coupling and blind coupling (dust cap) included
- Chain/rope retention for blind coupling
- Multiple flange standard options: EN 1092-3/B, ASME, JIS, VG

Install, operate and maintain in accordance with the manufacturer's manual supplied with the product.

FIRE HYDRANT

Angle Type Fire Valve (Bolted Bonnet)

SECTION Dimensions per size REF EFC-167

SIZE	L	L1	HH_CLOSEDHH_OPEN		G	D1	C	OD	OK	OG	B	F	N_OD	WEIGHT	
DN40	75	145	65	200	215	1-1/2" inch	98	140	150	110	84	14	2	4-18	6.4 kg
DN50	75	145	75	210	225	2" inch	98	140	165	125	99	16	2	4-18	7.7 kg
DN65	95	160	90	235	255	2-1/2" inch	126	150	185	145	118	16	2	4-18	11.3 kg

Dimensions in inches unless stated otherwise. Values are nominal; tolerances confirmed at quote.

Install, operate and maintain in accordance with the manufacturer's manual supplied with the product.

EFC-167 · Specifications confirmed at quote

sales@euroflowcontrol.com · euroflowcontrol.com

FIRE HYDRANT

Angle Type 30 Oblique Type Fire Valve (Bolted Bonnet)

REF **EFC-168** ISSUED 08 Jul 2026

SPECIFICATIONS

Size	DN40 to DN65
Pressure	PN16
End connection	flanged (EN 1092-3/B) / flanged (ASME) / flanged (JIS) / flanged (VG)
Face-to-face	Manufacturer standard
Media	water, firefighting water

ACTUATION

- manual handwheel — GG 25 or Bronze Rg5 handwheel

STANDARDS

Design	BS 5041, DIN 86211
Test	EN 12266

APPLICATIONS

- fire fighting
- fire hydrant systems



Install, operate and maintain in accordance with the manufacturer's manual supplied with the product.

MATERIALS

Body	Bronze Rg5, CuSn10, GS-C25	Disc	Bronze Rg5, CuSn10, GS-C25
Seat	NBR, EPDM	Stem	Cu Zn39Pb3, SS 420, SS316
Gasket	NBR, EPDM, Klingerite	Bonnet	Bronze Rg5, CuSn10, GS-C25
Packing	Graphite, PTFE	Gland	Brass Ms58, SS420
Gland nut	Brass Ms58	Handwheel	GG 25, Bronze Rg5
Bolt	A2 (SS304)	Fixed coupling	Bronze Rg5, Aluminum
Seal coupling	NBR, EPDM	Blind coupling	Bronze Rg5, Aluminum
Chain rope	SS	Bolt nut	A2 (SS304)

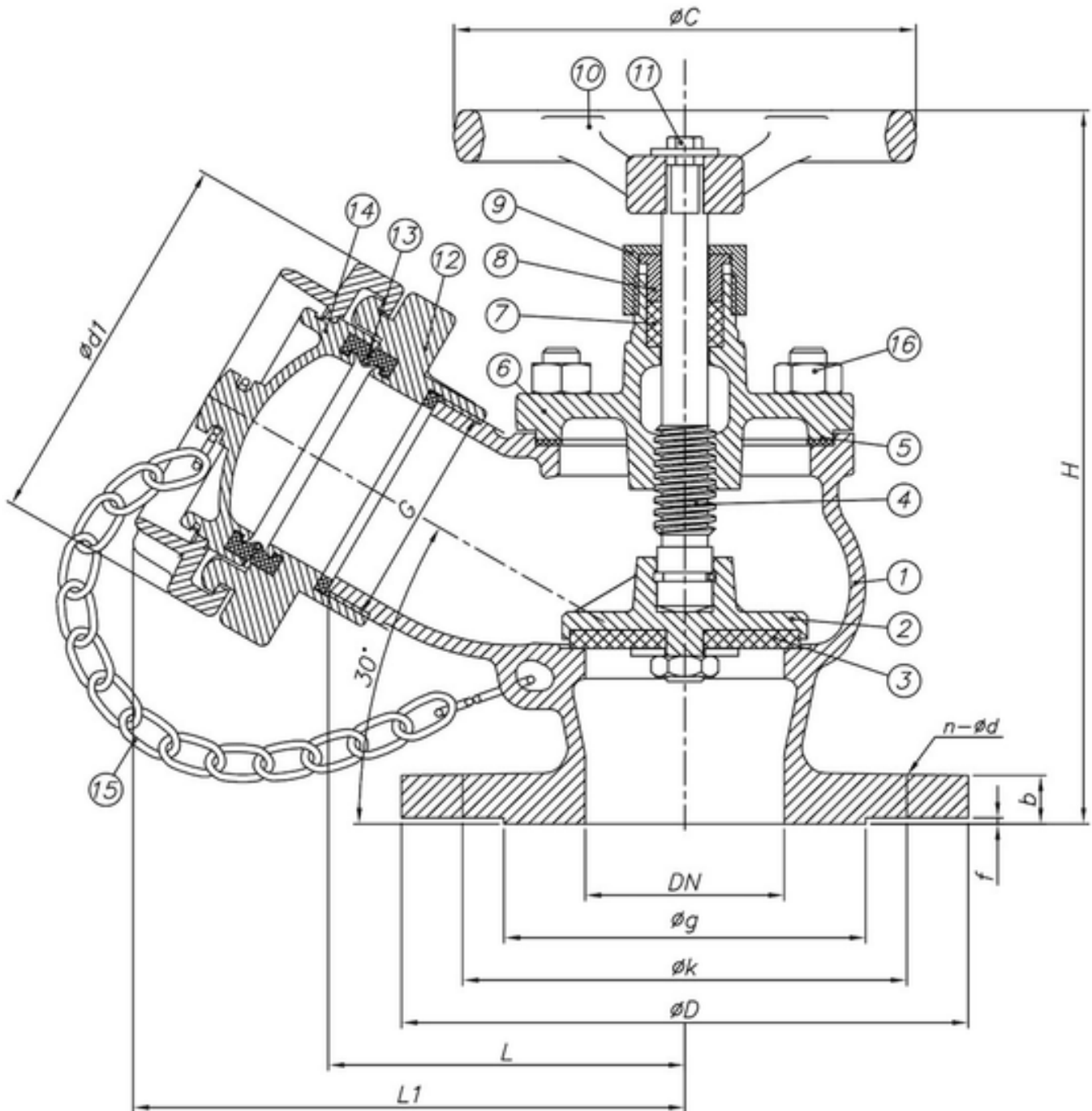
FEATURES

- 30° oblique body angle
- Bolted bonnet construction
- Coupling options: Storz, BS 336, Nor, Nakajima
- Chain/rope retainer for coupling cap
- Flange options available in ASME, JIS, VG in addition to EN 1092-3/B

FIRE HYDRANT

Angle Type 30 Oblique Type Fire Valve (Bolted Bonnet)

SECTION Technical drawing 1 REF EFC-168



Install, operate and maintain in accordance with the manufacturer's manual supplied with the product.

FIRE HYDRANT

Angle Type 30 Oblique Type Fire Valve (Bolted Bonnet)

SECTION Dimensions per size REF EFC-168

SIZE	L	L1	H_CLOSE	H_OPEN	G	D1	C	OD	OK	OG	B	F	N_OD	WEIGHT
DN40	150	220	160	170	1-1/2" inch	98	140	150	110	84	14	2	4-18	6.8 kg
DN50	165	235	165	180	2" inch	98	140	165	125	99	16	2	4-18	8.2 kg
DN65	200	265	185	205	2-1/2" inch	126	150	185	145	118	16	2	4-18	12.2 kg

Dimensions in inches unless stated otherwise. Values are nominal; tolerances confirmed at quote.

Install, operate and maintain in accordance with the manufacturer's manual supplied with the product.

EFC-168 · Specifications confirmed at quote

sales@euroflowcontrol.com · euroflowcontrol.com

GATE VALVE

Cast Iron Rising Stem Gate Valve with Signal Head

REF **EFC-253** ISSUED 08 Jul 2026

SPECIFICATIONS

Size	DN50 to DN1200
Pressure	PN10 to PN16
Temperature	-10°C to 120°C
Media	chemicals, air, water, steam, oil, acids, salts

ACTUATION

- manual handwheel
- actuator

STANDARDS

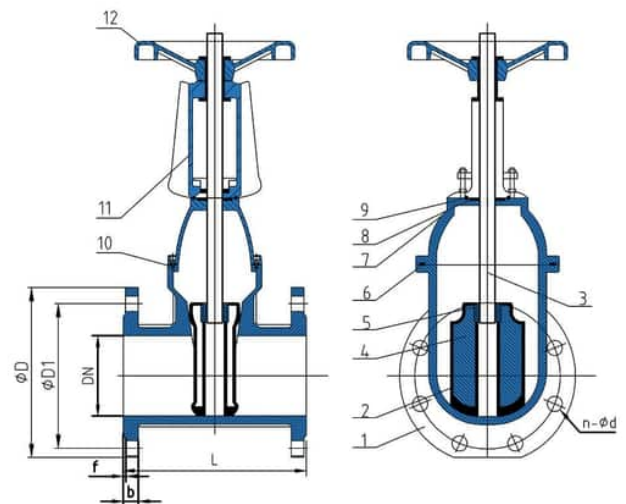
Design	EN 1074
--------	----------------

COATINGS & LINING

- corrosion-resistant coating

APPLICATIONS

- fire protection systems
- water supply networks
- industrial pipelines requiring shut-off and system monitoring
- underground installations
- outdoor installations
- automated water control



Install, operate and maintain in accordance with the manufacturer's manual supplied with the product.

MATERIALS

Body	Ductile Iron, Cast Iron, Stainless Steel	Seat	EPDM, NBR, Viton, Neoprene, HYPALON, Silicon
Shaft	SS420, Stainless Steel 416, 316, 304	Disc	Ductile Iron, Ductile Iron+Ni, CF8, CF8M, Bronze
Wedge nut	Brass	Bonnet gasket	EPDM
Bonnet	Ductile Iron	Packing	Flexible Graphite
Sealing ring	EPDM	Socket head screw	SS
Yoke	Ductile Iron	Hand wheel	Ductile Iron
Pin	Cast Iron, Stainless Steel	Bushing	PTFE, Bronze
O ring	NBR, EPDM	Stem	SS416, SS316, SS304

FEATURES

- Rising stem design provides visual open/closed position indication
- Integrated signal head enables remote monitoring via electrical control systems
- Resilient seated EPDM wedge for bubble-tight sealing
- Corrosion-resistant coating for harsh environments
- Outside screw and yoke (OS&Y) rising stem design
- Resilient-seated gate valve with rubber-encapsulated wedge gate
- Flanged end connections
- Position indicator on stem
- Handwheel operated
- Suitable for fire protection service (red epoxy coating)

OPTIONS & NOTES

- Available in various pressure ratings and sizes
- Our products hold up to 10 international authoritative certification certificates

Install, operate and maintain in accordance with the manufacturer's manual supplied with the product.

REFERENCE

Standards, certification & terms

OUR RANGE

This catalogue shows a representative selection of the range. Valves are configurable: size, pressure rating, materials and end connections can be specified to your project. Items not shown can be supplied to specification on request.

STANDARDS & CERTIFICATION

Products are manufactured to the standards listed against each item. Material and test certificates (EN 10204 3.1), and approvals such as PED, ATEX, fire-safe (API 607 / 6FA) or marine classification, are available on request and confirmed per order. Certification is provided to project requirements.

TERMS

Specifications shown are indicative and confirmed at quotation. Dimensions, materials and ratings are subject to confirmation against the supplier datasheet for the configured item, and subject to change without notice. This catalogue does not constitute an offer.

© 2026 EAP Global Limited, trading as Euro Flow Control. Company no. Malta C 110100.

NEXT STEP

How to enquire

Submit your requirement in whichever format is convenient. Each enquiry is reviewed and answered with a quotation.

1 Submit a specification or parts list

Email a specification, drawing or line list (PDF, Word or Excel); each line is matched to the range.

2 Describe your requirement

Provide the duty, size, pressure and material, together with any supporting documents.

3 Enquire online

Submit a request at euroflowcontrol.com.

EAP Global Limited (trading as Euro Flow Control)

Airedesk Business Hub 17, Triq Il-Modd, Swieqi, SWQ 2373, Malta
sales@euroflowcontrol.com · +351 912 529 904 · euroflowcontrol.com
Company no. Malta C 110100

We acknowledge every enquiry within one business day.